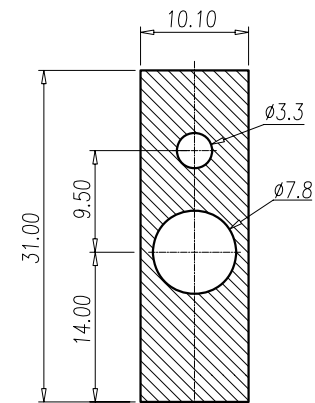


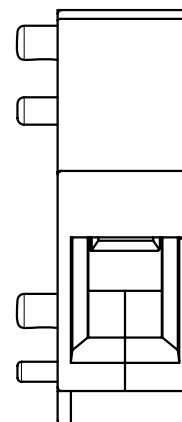
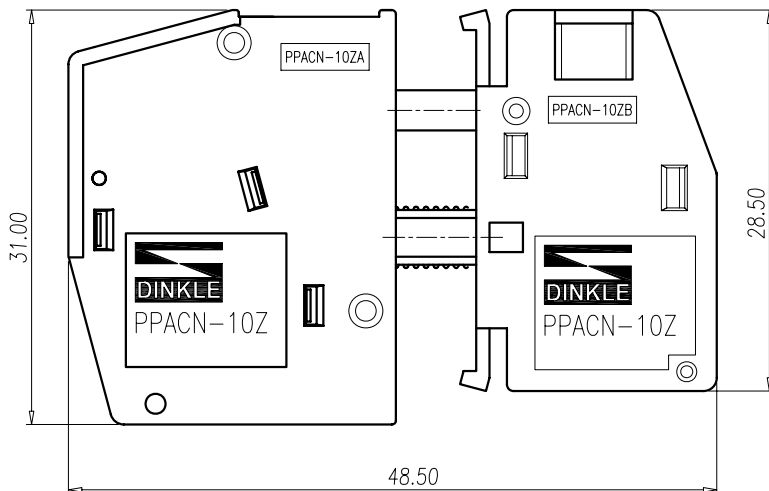
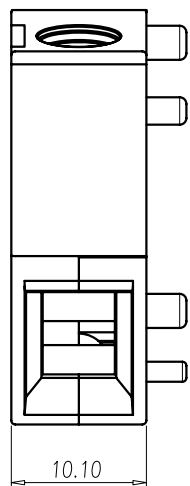
NOTES 1:

UL Standard :

- 1.Rating: 300V 65A
- 2.Insulation Withstands Voltage:
AC 6000 V at 1 minute
- 3.Using Temperature Range:
-40°C~+105°C
- 4.Suitable Electric Wire:AWG 24~6



PANEL LAYOUT



IEC Standard:

1. Rating: 320V (2.5~4.0mm 安裝板), 76A
500V (1.0~2.5mm 安裝板), 76A
500V (1.0~4.0mm 塑膠安裝板), 76A
2. Rate Impulse Voltage: 6000V
3. Insulation Resistance:
500MΩ or more at DC500V
4. Material Group : I
5. Pollution Degree : 3
6. Overvoltage Category: III
7. Using Temperature Range:
-40°C~+120°C
8. Suitable Electric Wire: 0.5~16mm²

NOTES 2:

1. RoHS compliance
2. Strip Length: 10mm
3. Screw Torque Value: 1.7N · m
4. 插頭與插座組合, 但不壓緊

2	PPACN-10ZB		GRAY
1	PPACN-10ZA		GRAY
ITEM	NAME OF PART	MATERIAL	NOTES

Total Pitch Tolerances		Normal Dimension Tolerances	
0~30	±0.20	0~30	±0.25
over 30~53	±0.25	over 30~53	±0.30
over 53~70	±0.30	over 53~70	±0.35
over 70~90	±0.35	over 70~90	±0.44
over 90~115	±0.44	over 90~115	±0.55
over 115~150	±0.55	over 115~150	±0.70
over 150~200	±0.70	over 150~200	±0.85
over 200~250	±0.85	over 200~250	±1.00
over 250~320	±1.00	over 250~320	±1.20

DWG.	LWF	DATE	15.12.08	UNITS	MM	SHEET/OF	1 / 1
CHK.		DATE		SCALE	2.5:1 (:)		
APP.		DATE					
				NAME	PPACN-10Z		
				DWG NO.	SP-03-PPACN10Z		

REV.	CONTENT	CHK.	DATE

DINKLE
DINKLE ENTERPRISE CO., LTD