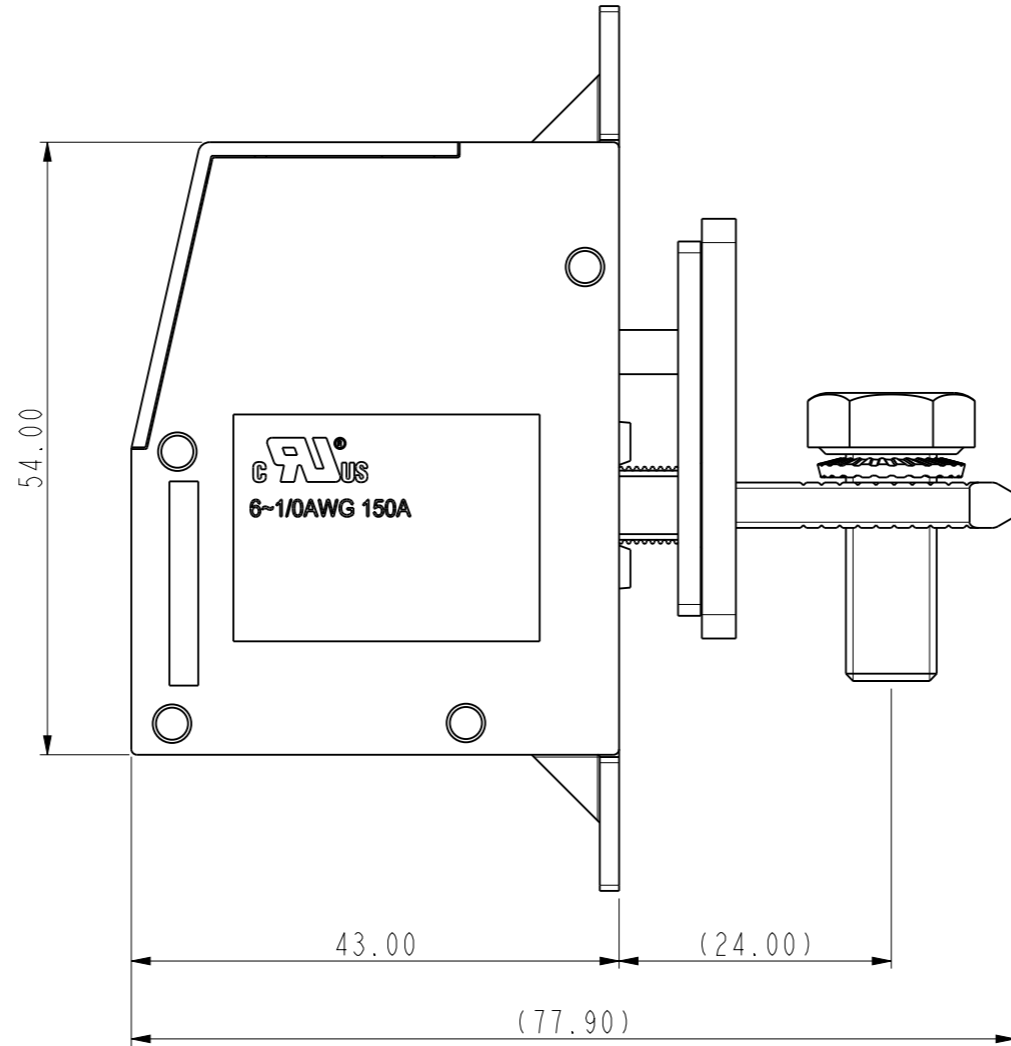
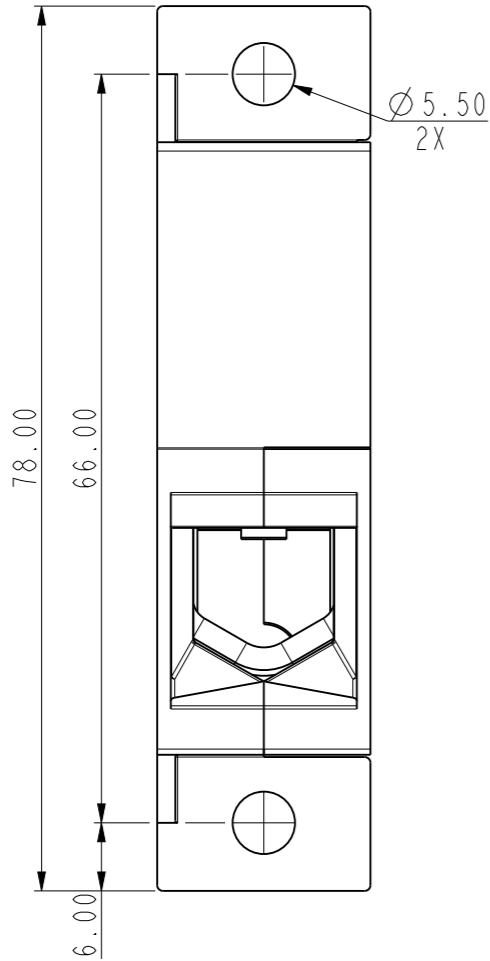
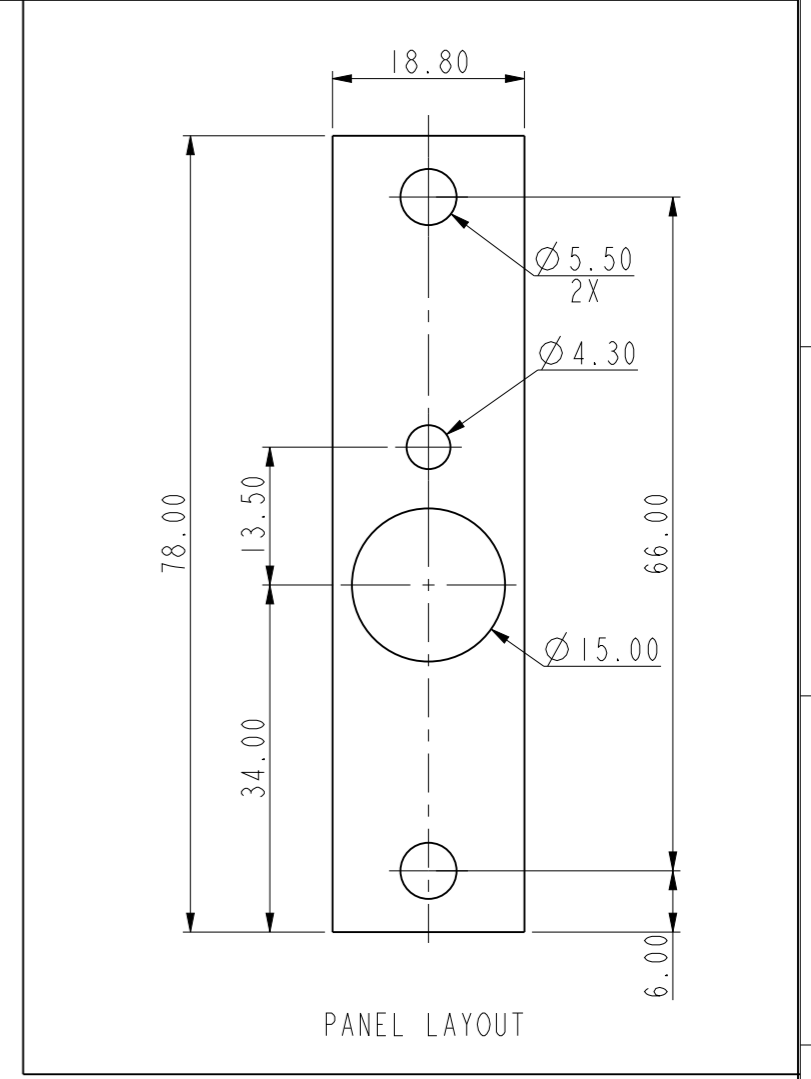
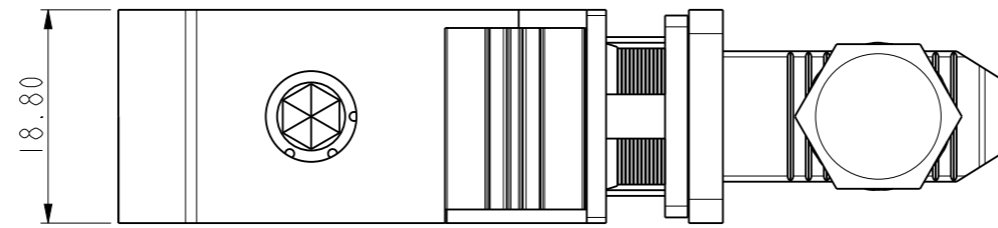
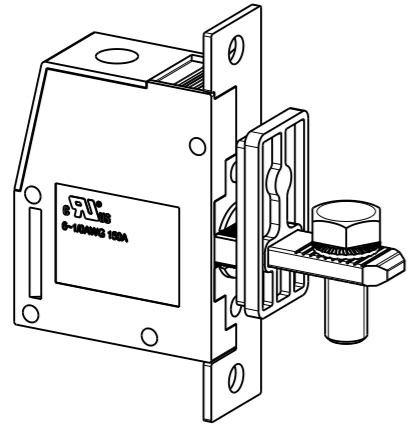


DINKLE has proprietary right to these drawings and specifications hereon, it shall not be reproduced or used as the basis for the manufacture of devices without permission. User should verify drawings are the most recent version.
Copyright © DINKLE Enterprise Co., Ltd. All Rights reserved.



ITEM	NAME OF PART	MATERIAL	NOTES
9	WIRE CAGE	STEEL	M6/ Zn Plated
8	WASHER	STELL	Zn Plated
7	SOLDER PIN	COPPER	Tin Plated
6	SCREW	STEEL	M8/ Zn Plated
5	SCREW	STELL	M6/ Zn Plated
4	HOUSING	PA66	V0 GREY
3	HOUSING	PA66	UL94-V0 GREY
2	FIXER	PA66	V0 GREY
1	CUSHION	EPDM	BLACK

- 注：
 1. RoHS Compliance
 2. 此产品需做超音波熔接
 3. 此产品组装时 2、3、6、8号零件无需组装，但2、3号零件需组在一起
 4. Strip Length: 24mm

Total Pitch Tolerances		Normal dimension Tolerances	
0~30	±0.20	0~30	±0.25
over 30~53	±0.25	over 30~53	±0.30
over 53~70	±0.30	over 53~70	±0.35
over 70~90	±0.35	over 70~90	±0.44
over 90~115	±0.44	over 90~115	±0.55
over 115~150	±0.55	over 115~150	±0.70
over 150~200	±0.70	over 150~200	±0.85
over 200~250	±0.85	over 200~250	±1.00
over 250~320	±1.00	over 250~320	±1.20

DRW.	Double.Chu	DATE	2017-11-08	GENERAL TOLERANCE	
CHK.	Don.Yan	DATE	2017-11-09	SPECIFICATION FILE	SF-PPAC-50MAS-001
APP.	Clark.Deng	DATE	2017-11-09	DRAWING TYPE	SP-03

NAME **PPAC-50MAS**

VI	2				
REV.		CONTENT	DRW.	DATE	

DINKLE ENTERPRISE CO., LTD.

UNITS: mm
 SCALE: 1.5:1
 THIRD ANGLE PROJECTION
 SHEET/OF: 1/1

PPAC-50MAS

 规格书编号/Specification File No.: **SF-PPAC-50MAS-001**

版本/Version: A2

一般資訊 / General Information

产品长叙述/Long description	Panel Mounting, Screw Connection, Width :18.80mm,M6,300V,150A
产品类型/ Product type	Panel Feed-through
间距/Pitch (mm)	18.80
产品颜色/Color	Refer to drawing
接线方式/Connection method	Screw Connection
固定方式/ Type of locking	With screw flange
产品长度/ Length (mm)	18.8
产品宽度/Width (mm)	77.9
产品高度/Height (mm)	54
电位数/Circuit diagram	1
产品点数/Number of poles	1P
产品层数/Level	1
连接点数/Connection points	2

材料信息/ Material Information

绝缘材料/ Insulating material	PA66
绝缘材料组别/ Insulating material group	I
阻燃等级,符合 UL94 / UL94 Flammability rating	V0
绝缘阻抗/ Insulation resistance	≥500MΩ at DC 500V
导体材料/Contact material	COPPER ALLOY
导体表面镀层/Contact surface	Tin PLATED

IEC数据 / IEC Data

额定电压 / Rated Voltage (V)	630
额定电流 / Rated Current (A)	150
额定电压 (II/2) / Rated Voltage (II/2) (V)	1000
额定电压 (III/2) / Rated Voltage (III/2) (V)	1000
额定电压 (III/3) / Rated Voltage (III/3) (V)	630
额定冲击电压(II/2) / Rated Impulse Voltage (II/2) (kV)	8

PPAC-50MAS

 规格书编号/Specification File No.: **SF-PPAC-50MAS-001**

版本/Version: A2

额定冲击电压(III/2) / Rated Impulse Voltage (III/2) (Kv)	8
额定冲击电压(III/3) / Rated Impulse Voltage (III/3) (kV)	8
最大硬质导线横截面积/ Conductor cross section solid. max (mm ²)	50
最小硬质导线横截面积/ Conductor cross section solid. min (mm ²)	16
最大柔性导线横截面积/ Conductor cross section stranded. max (mm ²)	50
最小柔性导线横截面积/ Conductor cross section stranded. min (mm ²)	16
柔性导线横截面积 · 最大的管状裸端子/ Conductor cross section flexible, with max ferrule without insulation (mm ²)	50
柔性导线横截面积 · 最小的管状裸端子/ Conductor cross section flexible, with min ferrule without insulation (mm ²)	10
柔性导线横截面积 · 最大的管状预绝缘端子/ Conductor cross section flexible, with max ferrule with insulation (mm ²)	50
柔性导线横截面积 · 最小的管状预绝缘端子/ Conductor cross section flexible, with min ferrule with insulation (mm ²)	10
具有相同截面积的二根最大硬质导线横截面积/ 2 conductors with same cross section, solid, max (mm ²)	16
具有相同截面积的二根最小硬质导线横截面积/ 2 conductors with same cross section, solid, min (mm ²)	6
具有相同截面积的二根最大柔性导线横截面积/ 2 conductors with same cross section, stranded, max (mm ²)	16
具有相同截面积的二根最小柔性导线横截面积/ 2 conductors with same cross section, stranded, min (mm ²)	10
具有相同截面积的二根柔性导线 · 最大的管状裸端子/ 2 conductors with same cross section flexible, with max ferrule without insulation (mm ²)	16
具有相同截面积的二根柔性导线 · 最小的管状裸端子/ 2 conductors with same cross section flexible, with min ferrule without insulation (mm ²)	6
具有相同截面积的二根柔性导线 · 最大的双线管状预绝缘端子/ 2 conductors with same cross section flexible, max ferrule with insulation for double wire (mm ²)	10
具有相同截面积的二根柔性导线 · 最小的双线管状预绝缘端子/ 2 conductors with same cross section flexible, min ferrule with insulation for double wire (mm ²)	6

UL数据 / UL Data

额定电压 (UL/CUL 标准组 B 组)/Rated Voltage (UL/CUL B Group)(V)	300
额定电流 (UL/CUL 标准组 B 组)/Rated Current (UL/CUL B Group) (A)	150
额定电压 (UL/CUL 标准组 C 组)/ Rated Voltage (UL/CUL C Group)(V)	300
额定电流 (UL/CUL 标准组 C 组)/Rated Current (UL/CUL C Group) (A)	150
额定电压 (UL/CUL 标准组 D 组)/ Rated Voltage (UL/CUL D Group)(V)	600
额定电流 (UL/CUL 标准组 D 组)/Rated Current (UL/CUL D Group) (A)	5
最小导线, 符合 UL/CUL / Min. wire connection acc. to UL/CUL(AWG)	6
最大导线, 符合 UL/CUL /Max. wire connection acc. to UL/CUL(AWG)	1/0
最小硬质导线, 符合 UL/CUL/ Min. solid wire connection acc. to UL/CUL(AWG)	6
最大硬质导线, 符合 UL/CUL/ Max. solid wire connection acc. to UL/CUL(AWG)	1/0

PPAC-50MAS

规格书编号/Specification File No.: **SF-PPAC-50MAS-001**

版本/Version: A2

通用参数/General Data

螺纹规格/ Screw thread	外侧:M6 内侧:M8
螺丝刀规格/Screwdriver size	外侧:#6 内侧:13
最小扭矩/Torque Min(N.m)	5.9
最大扭矩/Torque Max(N.m)	6
剥线长度/ Stripping Length (mm)	24~25

环境与安全/Environmental and safety

手指防护(YES or NO) / Finger protection	NO
最高工作温度/ Max. operating temperature(°C)	120
最低工作温度/ Min. operating temperature(°C)	-40

产品认证/许可/ Approvals

