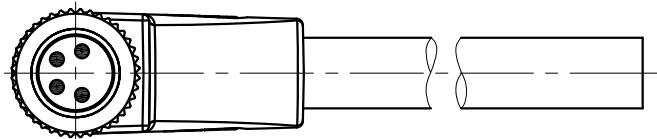


REVISION RECORD

REV	ECN	DESCRIPTION	DRFT	DATE
-----	-----	-------------	------	------



PM-M8X-XXP-MM-SR7XXX-00A(H)

Coding: A,B

Pin number: 03,04,
05,06,08

Cable length

01: 1M

...

99: 99M

The line grows business trip:

01~05m: ± 50mm

06~10m: ± 100mm

11~30m: ± 200mm

31~99m: ± 500mm

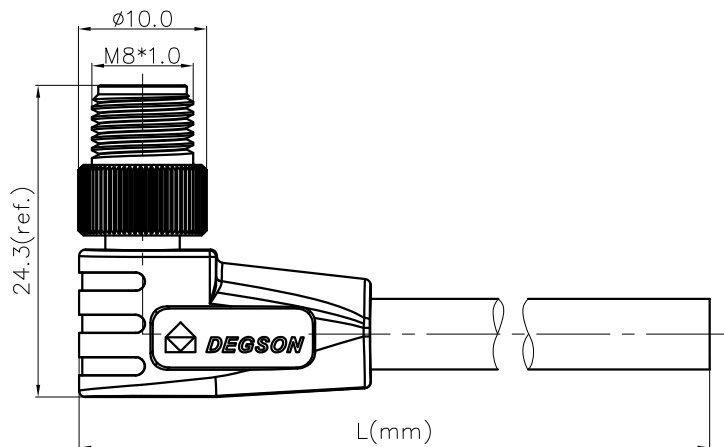
Cable jacket:

A: PVC UL2517

B: PUR UL20549

C: PVC UL2517 For UL Approve

D: PUR UL20549 For UL Approve



NOTES:

1. Rated voltage/current : 3pin: 60V / 3A

4pin: 60V / 3A

5pin: 30V / 3A

6pin: 30V / 1.5A

8pin: 30V / 1.5A

2. Withstanding voltage : 3,4pin: AC850V/1Min

5,6,8pin: AC650V/1Min

3. Levels of protection: IP67

4. Cable specifications :

3pin: 3C*24AWG/0.25mm²,UL2517/UL20549

4pin: 4C*24AWG/0.25mm²,UL2517/UL20549

5pin: 5C*24AWG/0.25mm²,UL2517/UL20549

6pin: 6C*26AWG/0.14mm²,UL2517/UL20549

8pin: 8C*26AWG/0.14mm²,UL2517/UL20549

5. Wire connection mode: soldering

6. Operating temperature: -25°C~+80°C

7. RoHS Compliance

8. Tolerance : ±0.5mm

3pin A Coding	4pin A Coding	5pin B Coding	6pin A Coding	8pin A Coding
Pin Assignment Front View	Pin Assignment Front View	Pin Assignment Front View	Pin Assignment Front View	Pin Assignment Front View
				8 Red
				7 Blue
			6 Pink	6 Pink
			5 Gray	5 Gray
4 Black	4 Black	5 Gray	4 Black	4 Yellow
3 Blue	3 Blue	4 Black	3 Blue	3 Green
	2 White	3 Blue	2 White	2 Brown
1 Brown	1 Brown	2 White	1 Brown	1 White
Conn Wire Color	Conn Wire Color	Conn Wire Color	Conn Wire Color	Conn Wire Color
Pin Out	Pin Out	Pin Out	Pin Out	Pin Out

DETACHED LISTS	PART NO.: PMM8XXXPMSR7XXX00AH	宁波高松电子有限公司 NINGBO DEGSON ELECTRICAL CO., LTD		
	APPD:	NAME: PM-M8X-XXP-MM-SR7XXX-00A(H)		
	CHKD:	TITLE: CUSTOMER DRAWING		
	DRFT: SQ 2019.09.06	REV	DO-2	
		DRAWING NO.: XXXXXXXX-XX-CXX	SHEET	1/1
THIRD ANGLE PROJECTION		MM (INCH)	DO NOT SCALE DRAWING	SCALE 1:1