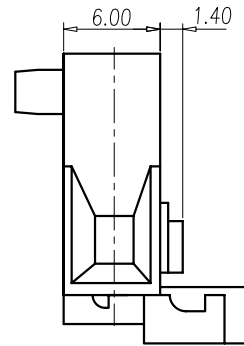
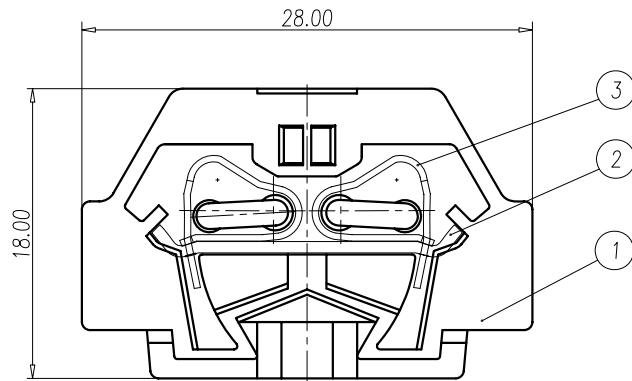
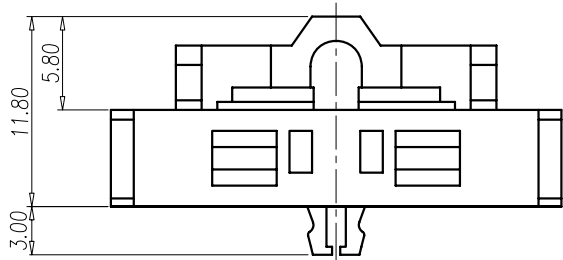


| Normal Geometric Tolerancing | | | | |
|------------------------------|-------|-----------------------------|---------|-----|
| — | // | ≡ | ⊥ | |
| 0 to 100 | 0.2 | 0.3 | 0 to 10 | 0.2 |
| over 100 to 150 | 0.3 | | over 10 | 0.3 |
| over 150 | 0.5 | | | |
| Total Pitch Tolerances | | Normal dimension Tolerances | | |
| 0<U<=30 | ±0.20 | 0~30 | ±0.25 | |
| 30<U<=53 | ±0.25 | over 30~53 | ±0.30 | |
| 53<U<=70 | ±0.30 | over 53~70 | ±0.35 | |
| 70<U<=90 | ±0.35 | over 70~90 | ±0.44 | |



NOTES:

1. Rating: 600V 25A
PITCH: 6.00mm
2. Insulation Withstands Voltage:
AC 2200V at 1 minute
3. Insulation Resistance:
500MΩ or more at DC500V
4. Using Temperature Range:
-40°C~+105°C
5. Suitable Electric Wire: AWG 14~12
6. RoHS Compliance

PM2.5WS terminal block
PM2.5 - series of terminal block
WS - modification

| 3 | CLAMP | STEEL | |
|------|--------------|--------------|--------------|
| 2 | CONDUCTOR | COPPER ALLOY | Tin Plated |
| 1 | HOUSING | PA66 | UL94-V0 GRAY |
| ITEM | NAME OF PART | MATERIAL | NOTES |

| | | | | | | | |
|------|-----|------|----------|-------|-----------|----------|-------|
| DWG. | HGH | DATE | 12.05.07 | UNITS | MM | SHEET/OF | 1 / 1 |
| CHK. | | DATE | | SCALE | 3:1 (:) | ⊕ ⊖ | |
| APP. | | DATE | | | | | |

| | | | | | | | |
|---|------|---------|------|------|-------------------------------|---------|-----------------|
| △ | REV. | CONTENT | CHK. | DATE | DINKLE ENTERPRISE CO.,LTD | NAME | PM2.5WS |
| | | | | | | DWG NO. | SP-03- PM25WS00 |