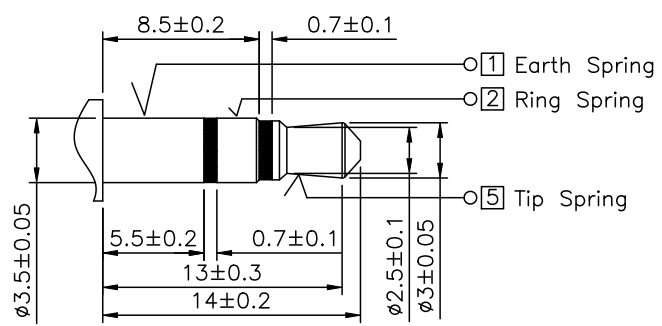
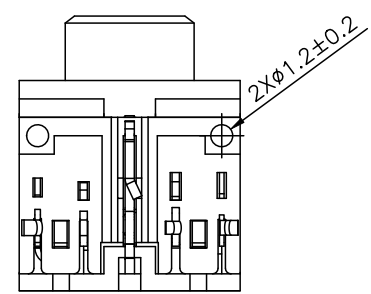


Recommended P.C.B. Layout
(Copper-Sided View)

△ SPECIFICATION
 Rating:30V 0.5A DC
 Withstand Voltage:500V AC
 △ Contact Resistance:50 Milliohms Max.
 After Test:100 Milliohms Max.
 Insulation Resistance:100 Megaohms Min. (500V DC)
 After Test:50 Megaohms Min.
 Insertion And Extraction Force:3~30N
 Life Test:5000 Cycles Min.
 Operation Temperature Range:-20°C~+70°C
 Preservative Temperature Range:-40°C~+85°C
 RoHS Compliant

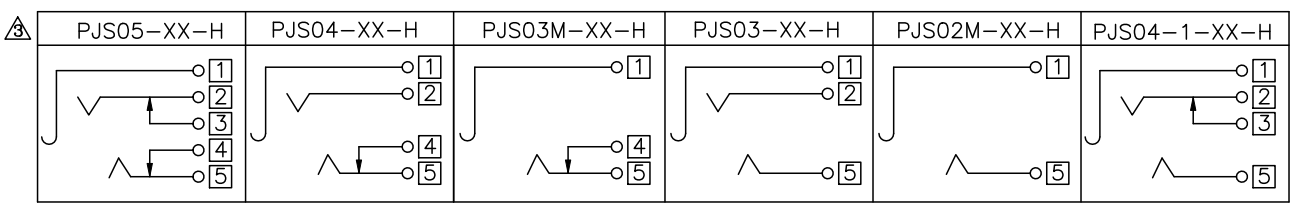
△△ P J S XX X - X - XX - H
 (1) (2) (3) (4) (5) (6) (7)

- (1) PJ:03.5 Earphone Jack
- (2) S:Standard Profile Type
- (3) XX:No. Of Position
- (4) X:Position
Blank:Stereo
M:Mono
- (5) X:Loop Option
Blank:Standard Type
1:Type 1
- (6) XX:Insulator Color
Blank:Black
PK:Pink
LM:Light Green
LB:Light Blue
GE:Gray
- (7) H:RoHS Compliant



△ Matching Plug

Schematic



No.	Description	Q'ty	Material	Remark
①	Housing	1	PBT	--
②	Cover	1	PBT	--
③	Earth Terminal	① 1	Phosphor Bronze	Tin Plated
④	Ring Spring	② 1	Stainless Steel	Tin Plated
⑤	Shunt Terminal	③ 1	Brass	Tin Plated
⑥	Shunt Terminal	④ 1	Brass	Tin Plated
⑦	Tip Spring	⑤ 1	Stainless Steel	Tin Plated

□ :Terminal No. ○ :Item No.



CATEGORY	APPROVED BY	MEI	UNLESS OTHERWISE SPECIFIED TOLERANCES ARE △ X. ±0.3 X ±0.3 ANG. ±2°
PART No. △ PJSXXX-X-XX-H	CHECKED BY	HZF	
DRAWING No. PJSXXX-X-XX-H	DRAWING BY	CYP	
SCALE NONE	REV.	A3	UNIT mm

△ A4	Modify Data	HZF	08/07/2017
△ A3	Modify P/N:PJSXX-XX-H --> PJSXXX-X-XX-H	HZF	11/03/2016
△ A2	Add P/N Code	HZF	06/28/2012
△ A1	Modify Data	HZF	03/25/2010
△ A0	NEW RELEASE	BECKY	10/20/2005
NO.REV.	REVISIONS	CHK	DATE