

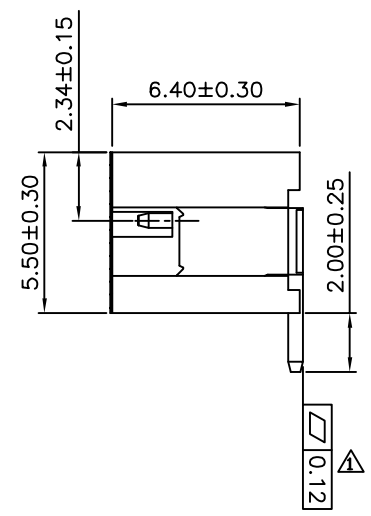
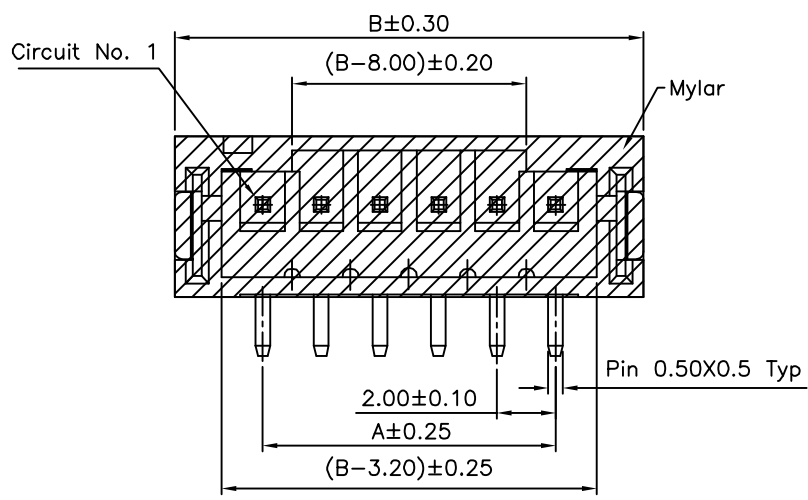
Recommended P.C.B Layout(Top Side)
P.C.B Thickness=1.20~1.60mm(Tolerance=±0.05)

SPECIFICATION

Current Rating: 2A AC/DC
Voltage Rating: 100V AC/DC
Contact Resistance: 20 Milliohms Max.
Insulation Resistance: 1000 Megaohms Min.
Withstanding Voltage: 800V AC/Minute
Temperature Range: -25°C~+85°C
Insulator: PA9T(UL94V-0), Nature
Pin: Brass, Matte Tin Plated Over Nickel
Latch: Brass, Matte Tin Plated Over Nickel
RoHS Compliant

PH XX V C - R1K - H
(1) (2) (3) (4) (5) (6)

- (1) PH: 2.0 PH Series
- (2) XX: No. Of Position
- (3) V: SMT Straight
- (4) C: With Mylar
- (5) R1K: Tape & Reel 1000 PCS/Reel
- (6) H: RoHS Compliant



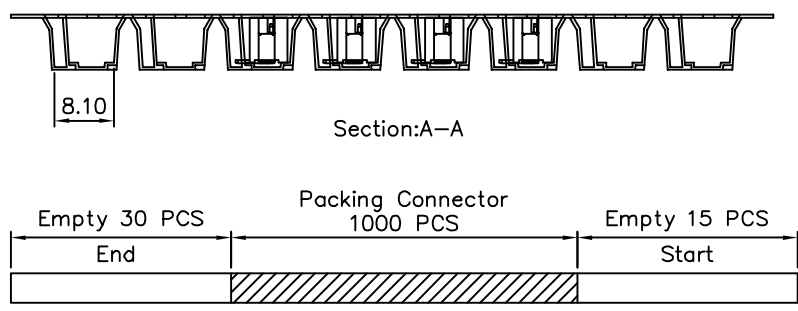
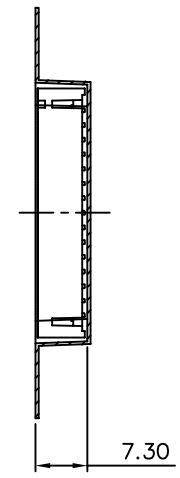
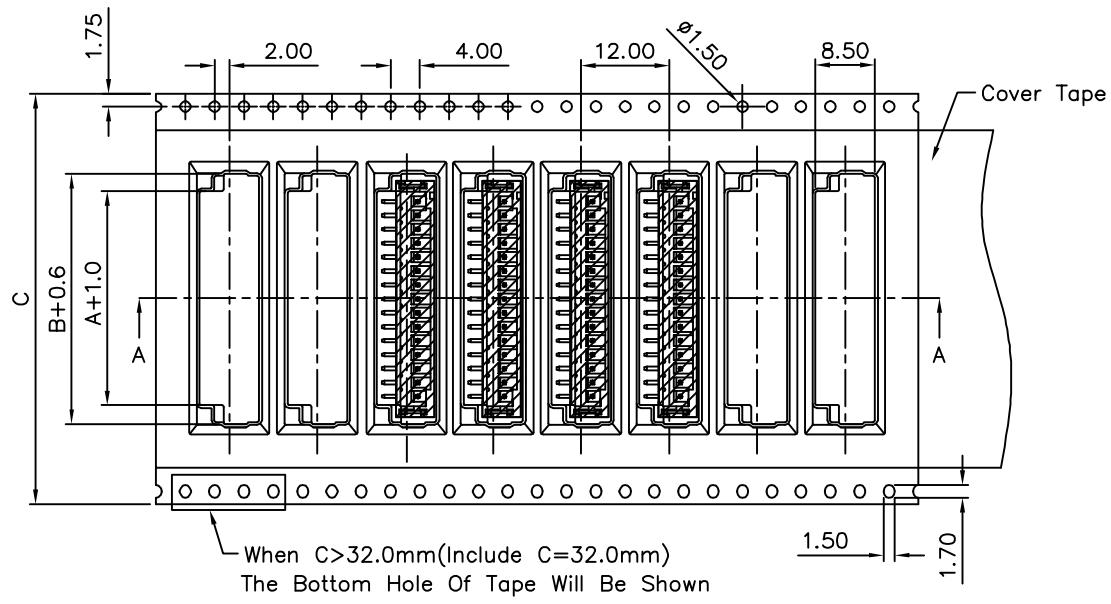
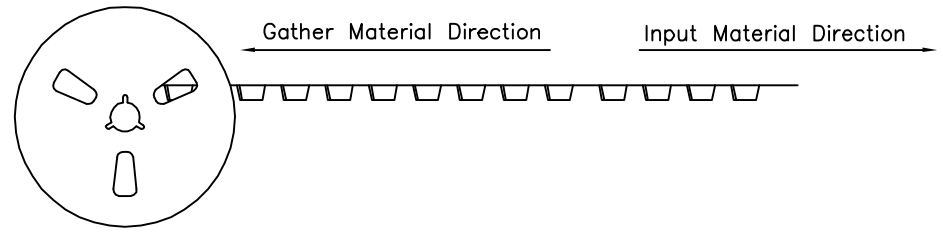
Pin	A	B	Pin	A	B
2	2.00	8.00	10	18.00	24.00
3	4.00	10.00	11	20.00	26.00
4	6.00	12.00	12	22.00	28.00
5	8.00	14.00	13	24.00	30.00
6	10.00	16.00	14	26.00	32.00
7	12.00	18.00	15	28.00	34.00
8	14.00	20.00	16	30.00	36.00
9	16.00	22.00			

AUK A MEMBER OF AUK GROUP
太聯事業股份有限公司
AUK CONTRACTORS CO., LTD.

CATEGORY		APPROVED BY		UNLESS OTHERWISE SPECIFIED TOLERANCES ARE .X ±0.25 .X* ±2* .XX ±0.20 .XX* ±1* .XXX ±0.10
PART No. PHXXVC-R1K-H		EMILY		
DRAWING No. PHXXVC-R1K-H		CHECKED BY HZF		
SCALE NONE		DRAWING BY SONG		
REV.	A1	UNIT	mm	NO. REV.

NO. REV.	A1	Modify Data	CHK	HZF	DATE	10/10/2013
	A0	NEW RELEASE	CHK	HZF	DATE	05/19/2012
REVISIONS		REVISIONS		REVISIONS		

SPECIFICATION
 Peel Strength Of Cover Tape:30~130g
 Peeling Speed:250~300mm/Minute
 Peeling Angle:165°~175°
 Q'ty:1000 PCS/Reel
 RoHS Compliant



Pin	A	B	C
2	2.00	8.00	24.0
3	4.00	10.00	
4	6.00	12.00	32.0
5	8.00	14.00	
6	10.00	16.00	
7	12.00	18.00	
8	14.00	20.00	44.0
9	16.00	22.00	
10	18.00	24.00	
11	20.00	26.00	
12	22.00	28.00	56.0
13	24.00	30.00	
14	26.00	32.00	
15	28.00	34.00	
16	30.00	36.00	

AUK A MEMBER OF AUK GROUP
太聯事業股份有限公司
AUK CONTRACTORS CO., LTD.

CATEGORY		APPROVED BY EMILY		UNLESS OTHERWISE SPECIFIED TOLERANCES ARE .X ±0.38 .XX ±0.25 ANG.
PART No. PHXXVC-R1K-H		CHECKED BY HZF		
DRAWING No. PHXXVC-R1K-H		DRAWING BY SONG		
SCALE	NONE	REV.	A1	
UNIT mm				

NO.	REV.	REVISIONS	CHK	DATE
△A1		Modify Data	HZF	10/10/2013
△A0		NEW RELEASE	HZF	05/19/2012