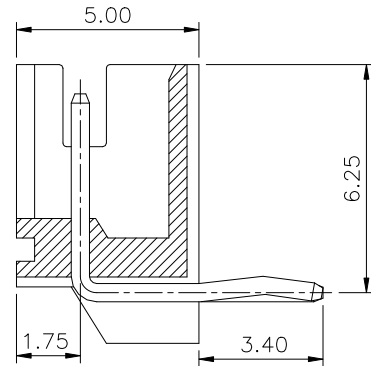
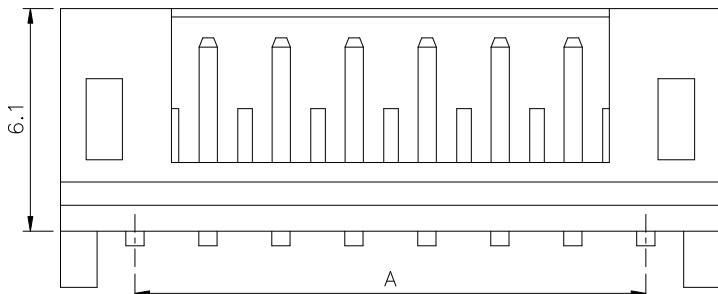
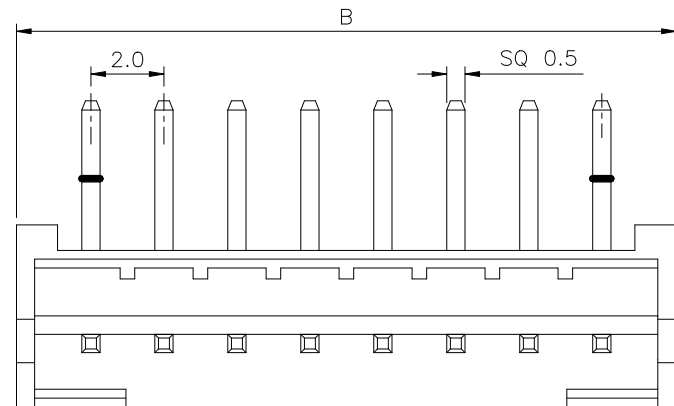


Recommended P.C.B. Layout



**SPECIFICATION**

Current Rating:2A  
 Voltage Rating:100V AC  
 Contact Resistance:20 Milliohms Max.  
 Dielectric Withstanding Voltage:800V AC/Minute  
 Insulation Resistance:1000 Megaohms Min.  
 Temperature Range:-25°C~+85°C  
 Insulator:PA66(UL94V-0),White  
 Contact:Brass,Tin Plated  
 RoHS Compliant

PH XX R - H  
 (1) (2) (3) (4)

- (1) PH:2.0mm PH Series
- (2) XX:No. Of Position
- (3) R:DIP Right Angle
- (4) H:RoHS Compliant

Pin	A	B
2	2.0	6.04
3	4.0	8.04
4	6.0	10.04
5	8.0	12.04
6	10.0	14.06
7	12.0	16.06
8	14.0	18.08
9	16.0	20.08
10	18.0	22.10
11	20.0	24.10
12	22.0	26.12
13	24.0	28.12
14	26.0	30.14
15	28.0	32.14
16	30.0	34.14



**A MEMBER OF AUK GROUP**  
**太聯事業股份有限公司**  
**AUK CONTRACTORS CO., LTD.**

CATEGORY		APPROVED BY		UNLESS OTHERWISE SPECIFIED TOLERANCES ARE .X ±0.3 .XX ±0.2
PART No. PHXXR-H		MEI		
DRAWING No. PHXXR-H		CHECKED BY HZF		
SCALE NONE		DRAWING BY HAO		
REV.	A3	UNIT mm		

NO. REV.	A3	Modify Data	HZF	01/06/2016
	A2	Modify Data	HZF	03/23/2010
	A1	Modify Data	BECKY	2005/02/17
	A	NEW RELEASE		
		REVISIONS	CHK	DATE