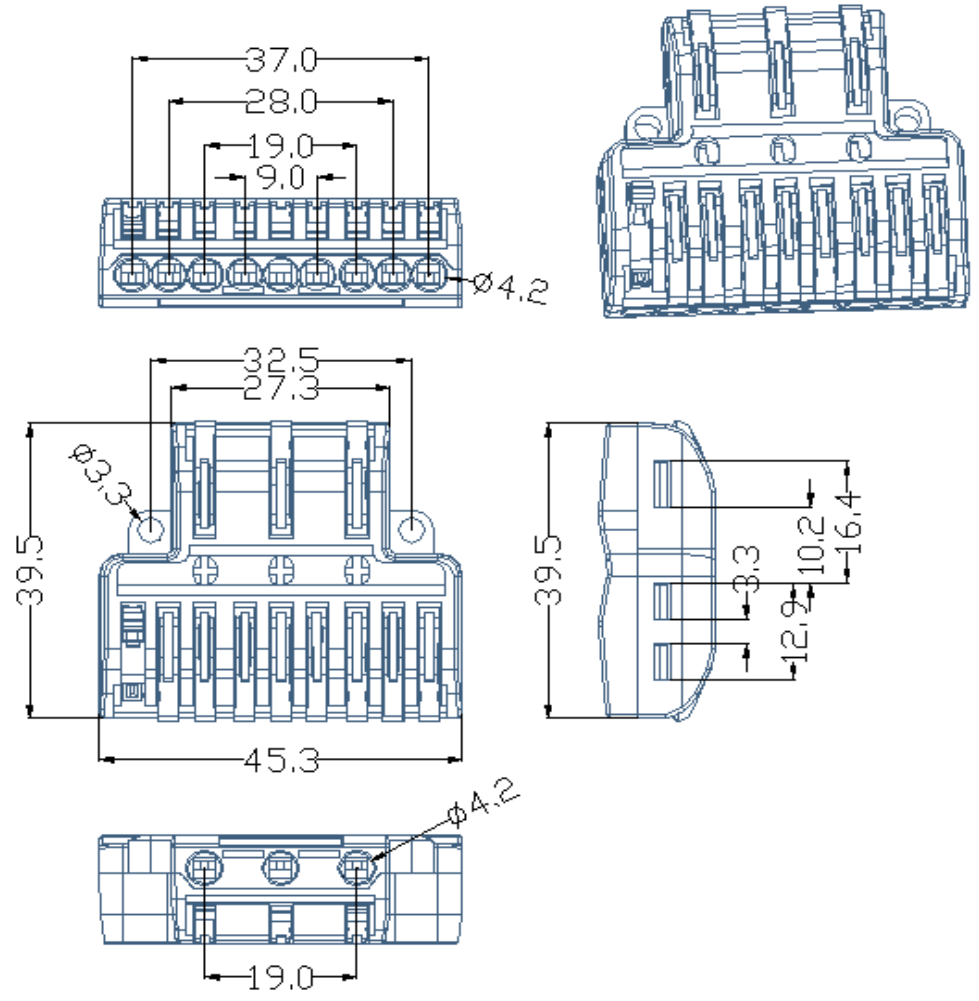


Xiamen FUCON Electronics Co.,LTD

Tolerance	0,000	Model	Unit	mm	NO	
	0,00			± 0,05		Ratio
	0,0	± 0,10	View		Date	
	0,	±				
	ANGLE	±1°			A0	



Model	CM-PCT-93
Name	Connectors
Vol.	250V
Current	32A
Cable Range	Solid: 0,08mm ² -4,0mm ² Soft: 0,08mm ² -2,5mm ²
Strip length	9-10mm/0,39in
Working Tem.	-20C° -- 105C°