

FUCON

0,000	
0,00	± 0,05
0,0	± 0,10
0,	±
ANGLE (角度)	±1°

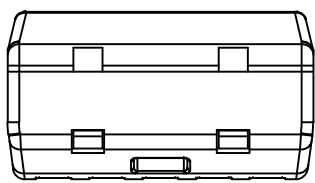
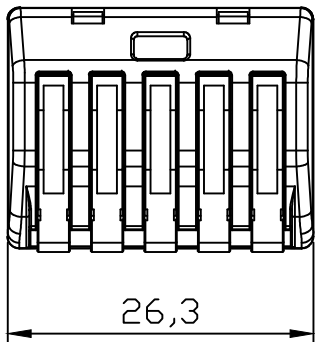
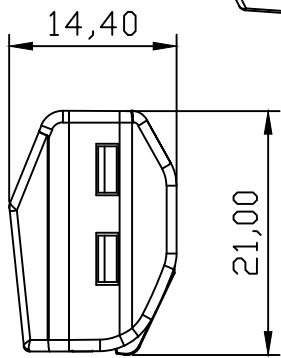
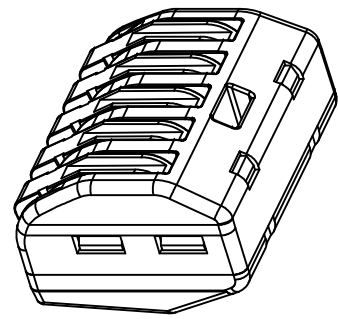
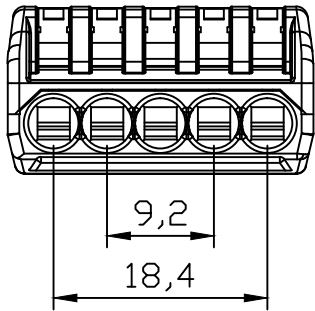
PCT-215

mm

1:1



A0



Model	PCT-215
Name	Connectors
Vol.	250V
Current	32A
Cable	Soft: 0,08mm ² -4,0mm ²
Range	Solid: 0,08mm ² -2,5mm ²
Strip length	9-10mm/0,39in
Working Tem.	-20C° -- 105C°

Housing material: PC
Material of Pins: copper alloy

Factory: Xiamen Fucon IMP.&EXP. CO.,LTD
Part No.: PCT-215
PCT - series of push wire connector (terminal)
21 - no value
5 - number of Pins (5 pins)

: