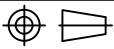
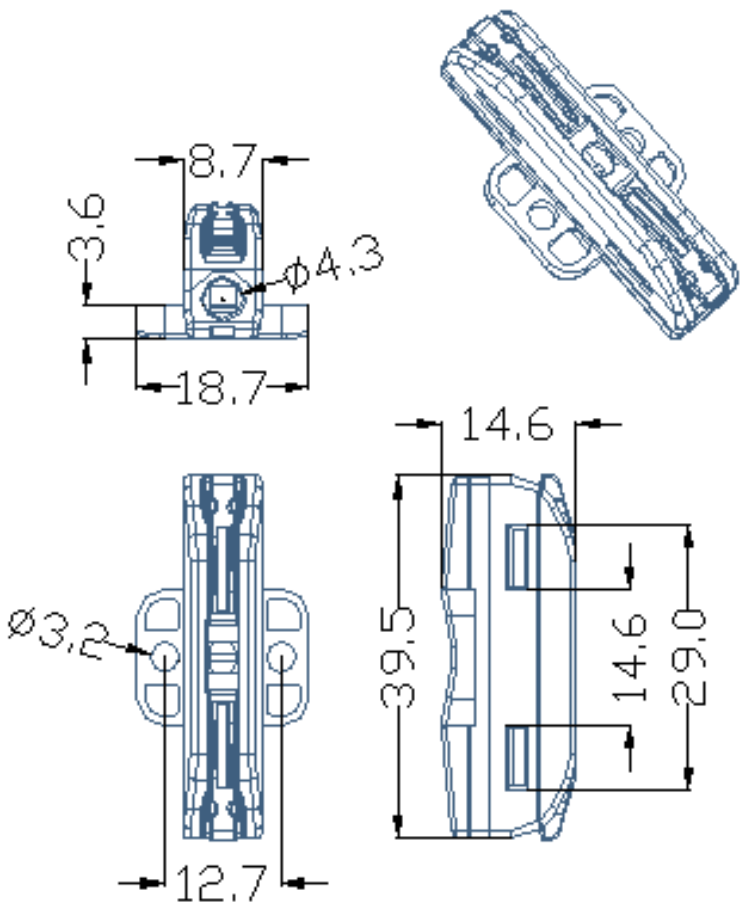


|   |   |   |               |           |        |                |              |   |      |            |
|---|---|---|---------------|-----------|--------|----------------|--------------|---|------|------------|
|   | 1   | 2 | 3             | 4         | 5      | 6              | 7            | 8   |      |            |
| A | Xiamen FUCON Electronics Co.,LTD  |   |               | Tolerance |        | Model          | Unit         | mm  | NO   |            |
|   |   |   |               | 0,000     |        | 1P double side | Ratio        | 1:1   | Date | 2024-09-13 |
|   |   |   |               | 0,00      | ± 0,05 |                | View         |  |      |            |
|   |   |   |               | 0,0       | ± 0,10 |                |              |   |      |            |
|   |   |   |               | 0,        | ±      |                |              |   |      |            |
|   |   |   | ANGLE<br>(角度) | ±1°       |        |                | A0           |   |      |            |
| B |   |   |               |           |        |                | Model        | CM-PCT-211 with ear   |      |            |
|   |   |   |               |           |        |                | Name         | Connectors  |      |            |
|   |   |   |               |           |        |                | Vol.         | 250V  |      |            |
|   |   |   |               |           |        |                | Current      | 32A   |      |            |
| C |   |   |               |           |        |                | Cable        | Solid: 0,08mm <sup>2</sup> -4,0mm <sup>2</sup>                                      |      |            |
|   |   |   |               |           |        |                | Range        | Soft: 0,08mm <sup>2</sup> -2,5mm <sup>2</sup>                                       |      |            |
|   |   |   |               |           |        |                | Strip length | 9-10mm/0,39in   |      |            |
|   |   |   |               |           |        |                | Working Tem. | -20C° -- 105C°  |      |            |
| D |  |   |               |           |        |                |              |   |      |            |
| E |   |   |               |           |        |                |              |   |      |            |
| F |   |   |               |           |        |                |              |   |      |            |
| G |   |   |               |           |        |                |              |   |      |            |
| H |   |   |               |           |        |                |              |   |      |            |
|   | 1   | 2 | 3             | 4         | 5      | 6              | 7            | 8   |      |            |