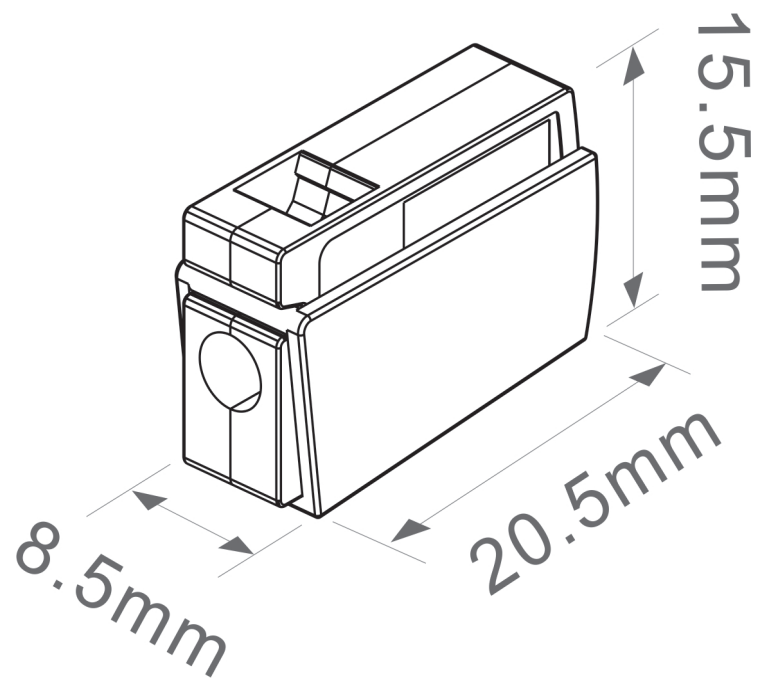


未注公差/General tolerances(mm)													D 0.1/10	
0 ~ 3	>3 ~ 6	>6 ~ 10	>10 ~ 18	>18 ~ 30	>30 ~ 50	>50 ~ 80	>80 ~ 120	>120 ~ 180	>180 ~ 250	>250 ~ 315	>315 ~ 400	>400 ~ 500		>500
±0.12	±0.18	±0.22	±0.26	±0.31	±0.37	±0.57	±0.80	±0.93	±1.05	±1.15	±1.60	±2.20	±2.50	±2'

5	Current carrier	Copper	Sn Plated
4	Spring	Stainless Steel	
3	Cover	PA66	UL94V-0
2	Housing 2	PA66	UL94V-0
1	Housing 1	PA66	UL94V-0
ITEM	NAME OF PART	MATERIAL	NOTES

UL 标准/UL Standard:	B	C	D
额定电压/电压/Rated Voltage(V)/Current(A)	300/22	/	300/10
IEC 标准/IEC Standard:			
过压类别/Overvoltage Category/污染等级/Pollution Degree	/	III/2	/
额定电压/电压/Rated Voltage(V)/Current(A)	/	450/24	/
工频耐压/Withstanding Voltage(V/Min)			AC2500
线径范围(硬线和软线)/Wire Range(rigid and flexible)(mm ² /AWG)	A:1.0~2.5/14~12(Sol) B:0.2~2.5/12~22		
间距/Pitch(mm)/线数范围/Poles	8.00/01P		
剥线长度/Stripping length(mm)	9~11		
使用温度范围/Operating temperature(°C)	-40~+105		
符合RoHS环保要求/Conform to RoHS	Yes		
标准颜色编号/Standard color number: PANTONE / RAL	/		



Part Number: **CM-PCT-111**

MATERIAL: _____

MAT NO.: _____

STATUS: _____

Xiamen Fucon Electronics Co.,LTD

Maker: **Zhou Wen** Checker: **He YueXiong** Approval: **Huang Gong**