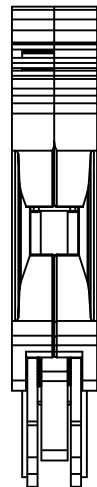
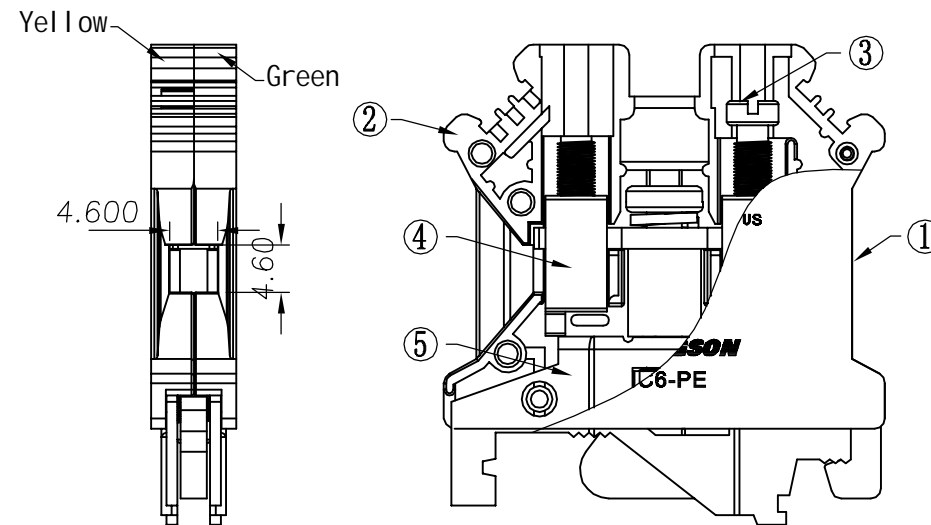
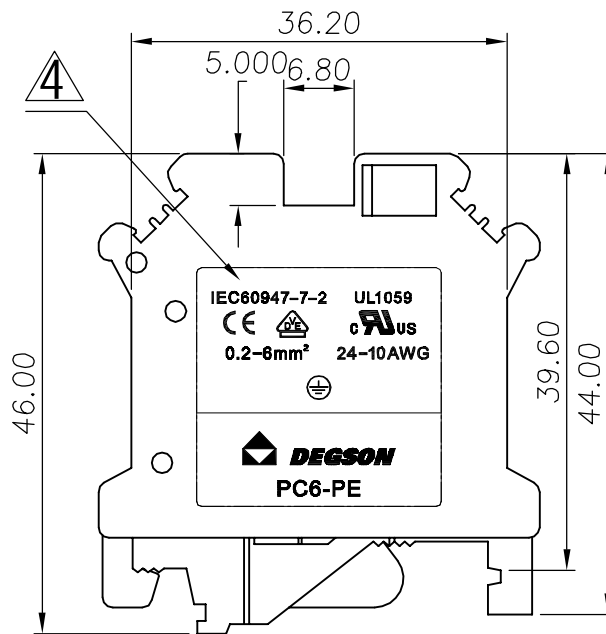
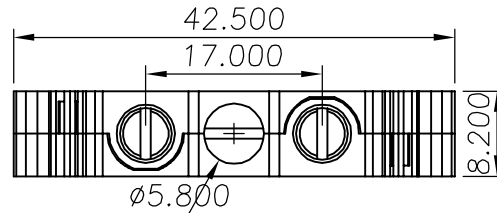


REVISION RECORD				
REV	ECD	DESCRIPTION	DRFT	DATE
△		料号变更	WF	07/26/06'
△		PC6-PE-01P-1Y-00AH 料号由X000001280改为S000001490	WF	11/16/06'
△		品名、料号增加环保标示“(H)”	LJH	12/10/07'
△		增加VDE刻字及参数	Zengy	08/23/08'

Notes:

1. Thickness: 8.2mm
2. Operation temperatures: -40°C ~ +105°C
3. Wire Range: 24~10AWG, 0.2~6mm²
4. Max. Torque Value: M4, 12.24kgf.cm
5. Undimensioned Tolerances:

Pitch range in mm		Nominal dimension range in mm						
	over 6	over 10		over 30	over 60	over 100	over 150	∩
to 6	to 10	to 24	to 30	to 60	to 100	to 150		∩
±0.10	±0.15	±0.25	±0.2	±0.3	±0.5	±0.7	±1.0	0.05/10



PC6-PE-01P-1Y-00AH
 PC6-PE - series
 1 - single-row
 Y - color of housing (yellow-green color)
 00AH - no value

Rated surge voltage 1000 volts

△	5	PC6-PE-Ground contact	6016B00010(H)	1		
△	4	PC6-PE Brass cage	X000001280(H)	2	Brass	Ni Plated
△	3	PC6 Screw	S000001490(H)	2	Brass	Ni Plated
	2	PC6-PE-Housing	6016A0801A(H)	1	PA66	UL94V-0

ITEM	NAME OF PART	NO. OF PART	Q'TY	MATERIAL	NOTES
1	PC6-PE-Housing	6016A0401A(H)		PA66	UL94V-0

DETAILED LISTS	MM (INCH)	DFTD L I U M	DATE 11/16/05'
	TOLERANCES EXCEPT AS NOTED	CHKD	DATE
		MFD	DATE
		APPVL	DATE
	MM	±	
	.0 ±	±	
	.00 ±	±	
	.000 ±	±	
	ANGLES ± 1°	G.E :	
	THIRD ANGLE PROJECTION	FINISH:	
		SCALE :	

宁波高正电子有限公司 NINGBO DEGSON ELECTRICAL CO., LTD.	
NAME	
PC6-PE-01P-1Y-00A(H)	
DRAWING NO. PC6-PE-E01	SIZE REV
/PART NO.	A3 14
	08/23/08'
DO NOT SCALE DRAWING	SHEET 1 OF 1