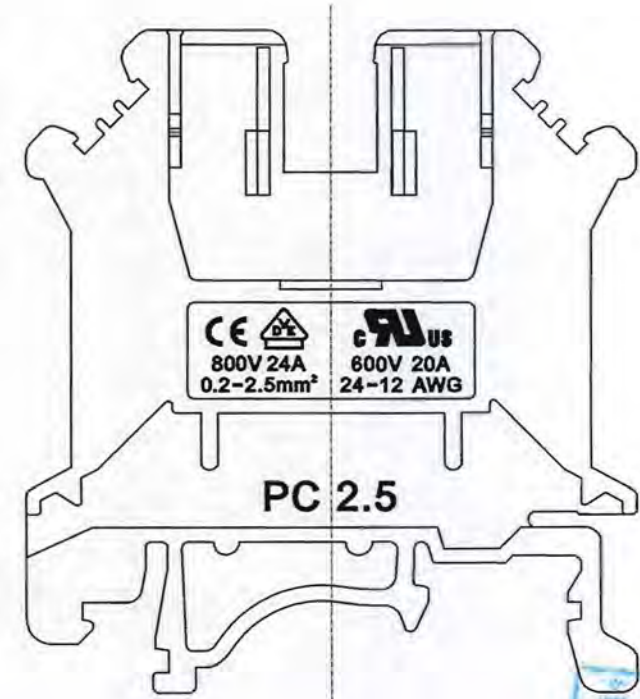
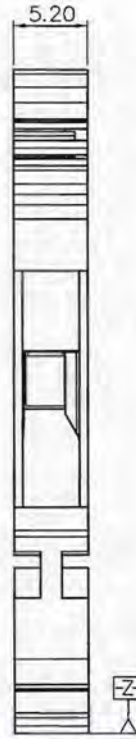
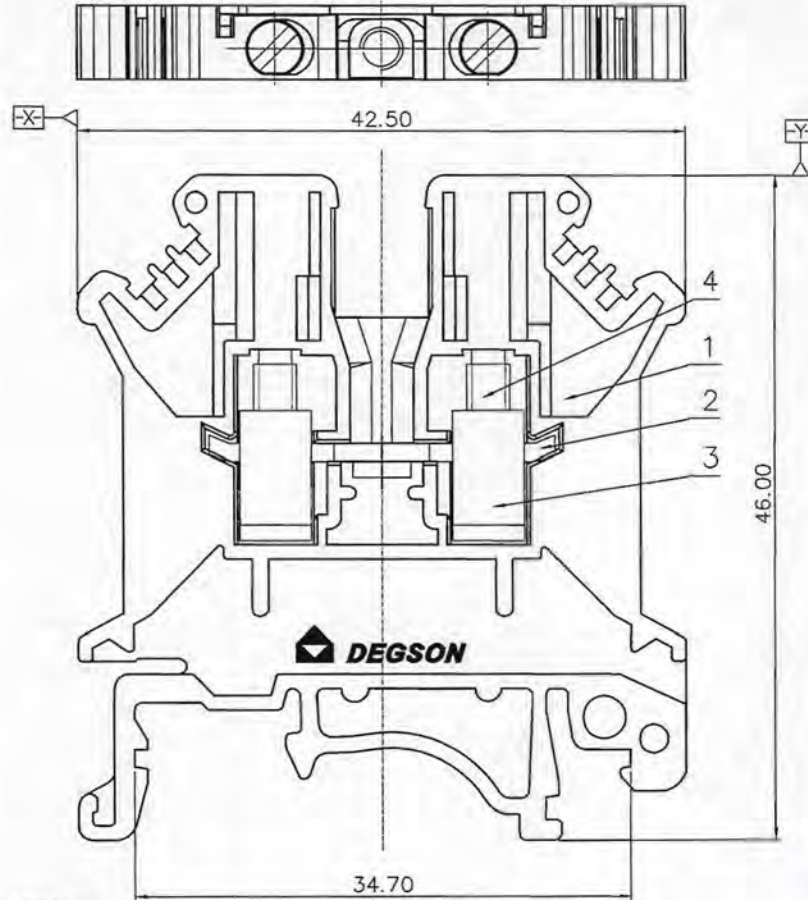


| REVISION RECORD |     |             |      |      |
|-----------------|-----|-------------|------|------|
| REV             | ECN | DESCRIPTION | DRFT | DATE |



**PC2.5-01P-1Y-00AH**  
**PC2.5 - series**  
**1 - single-row**  
**Y - color of housing (1 - gray color, 2 - blue color)**  
**00AH - no value**



**NOTES1:**

- UL Standard
- 1.Rated voltage/current : 600V / 20A
- 2.Withstanding voltage : AC2200V/1Min.
- 3.Torque value : M3 , 4.43Lb.in
- 4.Wire range : 24~12AWG

**NOTES2:**

- 1.Dimension shall be interpreted per ASME Y14.5-2009
- 2.Pitch : 5.20mm, Poles : 01P
- 3.Stripping length : 8~10mm
- 4.Operating temperature: -40°C~+105°C
- 5.Undimensioned tolerances:

| Pitch range in mm |         |         |         | Nominal dimension range in mm |         |         |         |        |
|-------------------|---------|---------|---------|-------------------------------|---------|---------|---------|--------|
| TO                | Over TO | Over TO | Over TO | TO                            | Over TO | Over TO | Over TO |        |
| 6                 | 10      | 10      | 24      | 30                            | 60      | 100     | 150     | 0.1/10 |
| ±0.15             | ±0.20   | ±0.30   | ±0.30   | ±0.50                         | ±0.70   | ±1.00   | ±1.30   | ±2'    |

6.RoHS Compliance

**IEC Standard**

|                          |       |
|--------------------------|-------|
| 1. Pollution degree      | 3     |
| Overvoltage category     | III   |
| Rate impulse voltage(KV) | 8.0KV |
| Rate voltage(V)          | 800V  |
| Rate current(A)          | 24 A  |

- 2.Torque value : M3 , 0.5N·m
- 3.Wire range : 0.2~2.5mm<sup>2</sup>

| ITEM | NAME OF PART    | MATERIAL     | NOTES        |
|------|-----------------|--------------|--------------|
| 4    | Screw           | Copper Alloy | M3\Ni/Plated |
| 3    | Cage            | Copper Alloy | M3\Ni Plated |
| 2    | Current carrier | Copper Alloy | Sn Plated    |
| 1    | Housing         | PA66         | UL94V-0      |

|                        |                              |   |                      |           |
|------------------------|------------------------------|---|----------------------|-----------|
| DETACHED LISTS         | PART NO.: /                  | 宁波高松电子有限公司<br>NINGBO DEGSON ELECTRICAL CO., LTD |                      |           |
|                        | APPD: <i>LigL 2019.11.29</i> | NAME: PC2.5-01P-1Y-00A(H)                       |                      |           |
|                        | CHKD: <i>Mek 2019.11.29</i>  | TITLE: CUSTOMER DRAWING                         |                      |           |
|                        | DRFT: LXX 2017.12.25         | REV TO  |                      |           |
| THIRD ANGLE PROJECTION |                              | DRAWING NO.: PC2.5-C01                          | SHEET 1/1            |           |
|                        |                              | MM (INCH)                                       | DO NOT SCALE DRAWING | SCALE 1:1 |