

REV.	DESCRIPTION	DRAWN	CHECKED	APPROVED
A	NEW RELEASE	JLZ 08/26/14'		

NOTES:

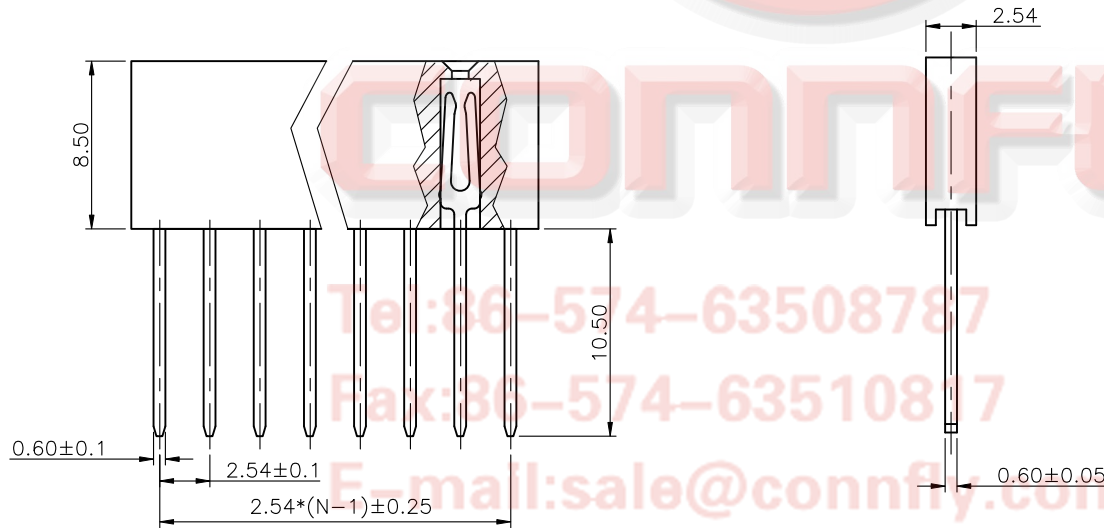
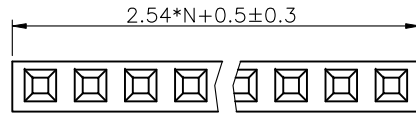
- Material:
Insulator: PBT With glass fiber. UL94 V-0.
Contact: Copper alloy.
- Electrical performance
Current rating: 1.9A.
Contact resistance: 20mΩ maximum.
Insulation resistance: 1000MΩ minimum.
Dielectric withstanding voltage: 500V AC(r.m.s) per 60s.
- Environment performance:
Temperature range: -55°C~+125°C.
- Mechanical performance:
Mating force: 150g per pin maximum.
Withdrawal force: 30g per pin minimum.
- Recommend PCB thickness: 1.6mm
- Product number code:

PC104-012 - XX X X

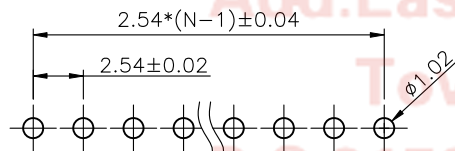
Contact plating:
0: Selective gold flash.(contact area)
1: Selective 10u" gold(contact area)
3: Selective 30u" gold(contact area)
6: Full Matt Tin(General Mode)
8: Full gold flash(General Mode)

Color:
B: Black

No. of positions:
1*2 ~ 1*40



N=No. of positions



Recommend PCB layout

Tel: 36-574-63508787
 Fax: 36-574-63510817
 E-mail: sale@connfly.com
 http://www.connfly.com
 Add: East Industry Zone KuangYan
 Town Cixi Ningbo China
 P.C: 315333

GENERAL TOLERANCE		ANGLE TOLERANCE	
X.	±0.60	X.	±5°
.X	±0.38	.X	±3°
.XX	±0.25	.XX	±2°

DRAWING TYPE	CUSTOMER		
SCALE	1:1	SHEET	1 OF 1
DRAWING NO.	C-PC104-012-XXXX		

PROJECTION		TITLE	PC/104 Non Stack Single Row
UNITS	mm		V/T Type tail Length10.5mm
SHEET SIZE	A4	SERIES	PC104-012 SERIES

晨翔电子有限公司
CONNFLY CONNFLY ELECTRONIC CO. LTD