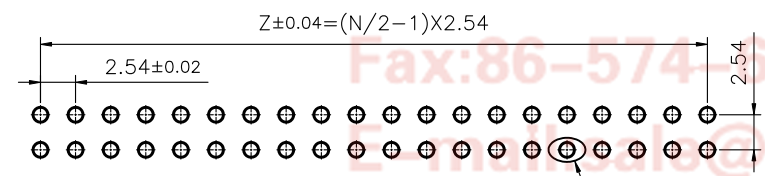
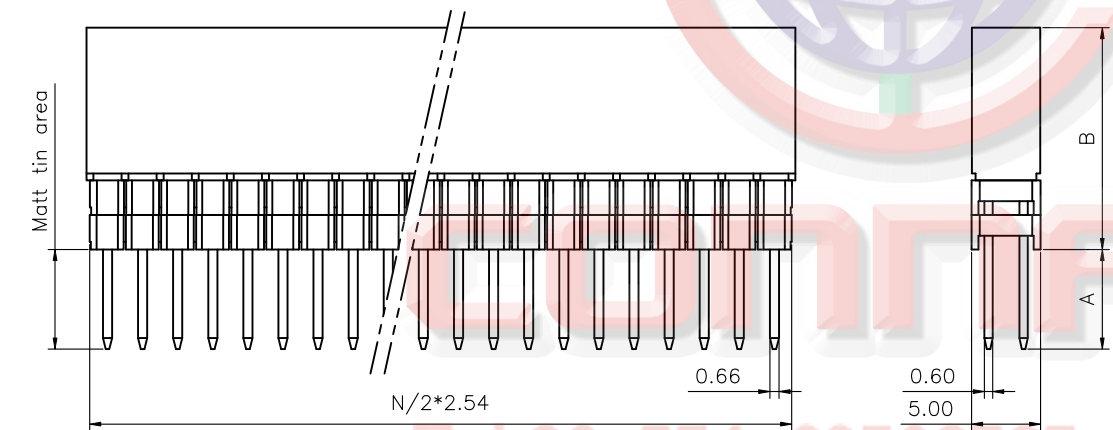
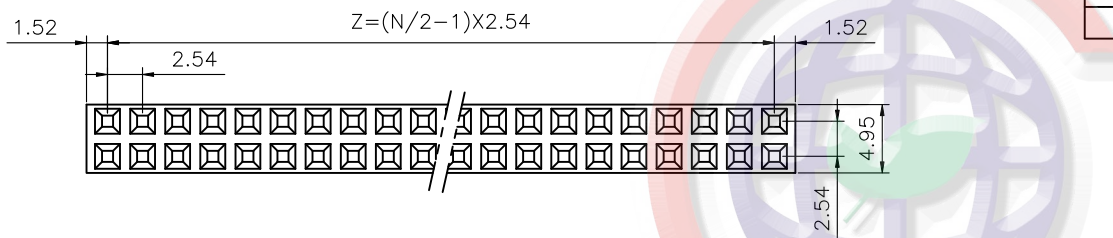
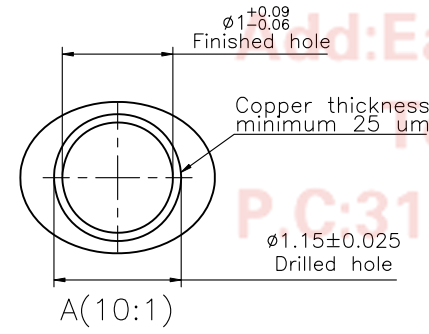


REV.	DESCRIPTION	DRAWN	CHECKED	APPROVED
A	NEW RELEASE	LJC 04/07/09'		LJC 04/07/09'
B	DRAWING UPDATE	JLZ 06/24/16'		



Recommend PCB layout suggested hole size see detail A



- NOTES:
- Material:
Insulator: PBT With glass fiber. UL94 V-0.
Contact: Copper alloy.
 - Electrical performance
Current rating: 1.9A.
Contact resistance: 20mΩ maximum.
Insulation resistance: 1000MΩ minimum.
Dielectric withstanding voltage: 500V AC(r.m.s) per 60s.
 - Environment performance:
Temperature range: -55°C~+125°C.
 - Mechanical performance:
Mating force: 150g per pin maximum.
Withdrawal force: 30g per pin minimum.
Press-In force: 8Kgf per maximum.
 - Recommend PCB thickness: 1.6mm
 - Product number code:

PC104-011 - XX X X X

- DIM type(see table A):
1: Type 1
2: Type 2
3: Type 3
4: Type 4
- Contact plating:
1: Selective 10u"gold(contact area)
2: Selective 20u"gold(contact area)
3: Selective 30u"gold(contact area)
6: Full Matt Tin(General Mode)
- Color:
B: Black
A: Gray
- No. of positions:
2*2 - 2*40

table A:

Type	A	B	Spacer	Q'ty
1	7.11	16.13	2	
2	9.65	13.59	1	
3	3.00	13.59	1	
4	12.2	11.05	0	
5				
6				

GENERAL TOLERANCE		ANGLE TOLERANCE		PROJECTION		TITLE	PC/104 Stack Dual Row	
X.	±0.60	X.	±5'	UNITS	mm	V/T Type		
.X	±0.38	.X	±3'	SHEET SIZE	A4	SERIES	PC104-011 SERIES	
.XX	±0.25	.XX	±2'	晨翔电子有限公司 CONNFLY CONNFLY ELECTRONIC CO. LTD				
DRAWING TYPE		CUSTOMER						
SCALE	1:1	SHEET	1 OF 1					
DRAWING NO.		C-PC104-011-XXXXX-B						