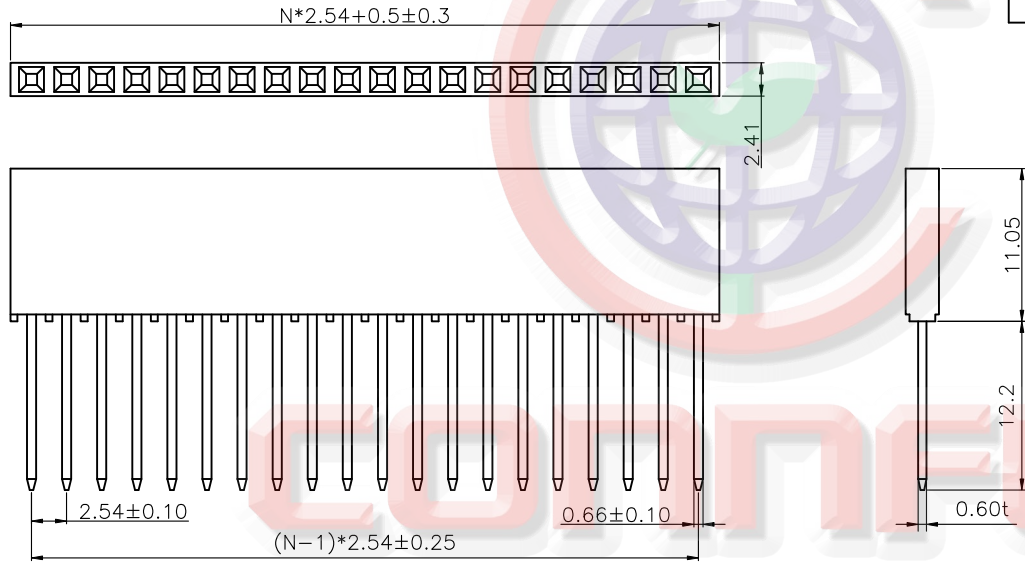


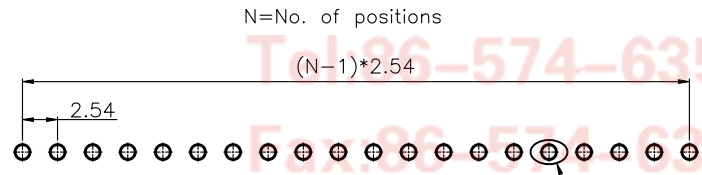
REV.	DESCRIPTION	DRAWN	CHECKED	APPROVED
A	NEW RELEASE	JLZ 07/04/16'		



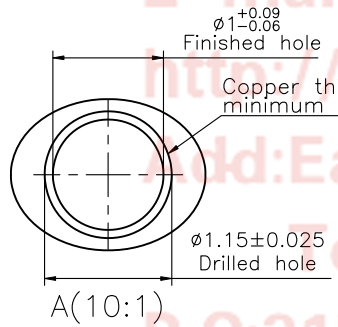
- NOTES:
- Material:
Insulator: PBT With glass fiber. UL94 V-0.
Contact: Copper alloy.
 - Electrical performance
Current rating: 1.9A.
Contact resistance: 20mΩ maximum.
Insulation resistance: 1000MΩ minimum.
Dielectric withstanding voltage: 500V AC(r.m.s) per 60s.
 - Environment performance:
Temperature range: -55°C~+125°C.
 - Mechanical performance:
Mating force: 150g per pin maximum.
Withdrawal force: 30g per pin minimum.
Press-In force: 8Kgf per maximum.
 - Recommend PCB thickness: 1.6mm
 - Product number code:

PC104-010 - X X X - ELTECH - 031

- Contact plating:
A: Full 10u"gold
1: 10u"gold(contact area)
1u"gold(pin tail)
- Color:
B: Black
- No. of positions:
1*2 - 1*40



Recommend PCB layout suggested hole size see detail A



GENERAL TOLERANCE		ANGLE TOLERANCE	
X.	±0.60	X.	±5°
.X	±0.38	.X	±3°
.XX	±0.25	.XX	±2°

PROJECTION	TITLE	PC/104 W/O Stack Single Row V/T Type	
		SHEET SIZE	A4
UNITS	mm	SERIES	PC104-010 SERIES

DRAWING TYPE	CUSTOMER		
SCALE	1:1	SHEET	1 OF 1
DRAWING NO.	C-PC104-010-XXX-ELTECH-031-A		

晨翔电子有限公司
CONNFLY CONNFLY ELECTRONIC CO. LTD

FOR ELTECH ONLY

Tel: 86-574-63508787
Fax: 86-574-63510817
E-mail: sales@connfly.com
http://www.connfly.com
Add: East Industry Zone KuangYan
Town Cixi Ningbo China
P.C: 315333