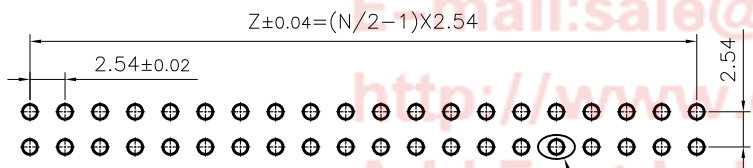
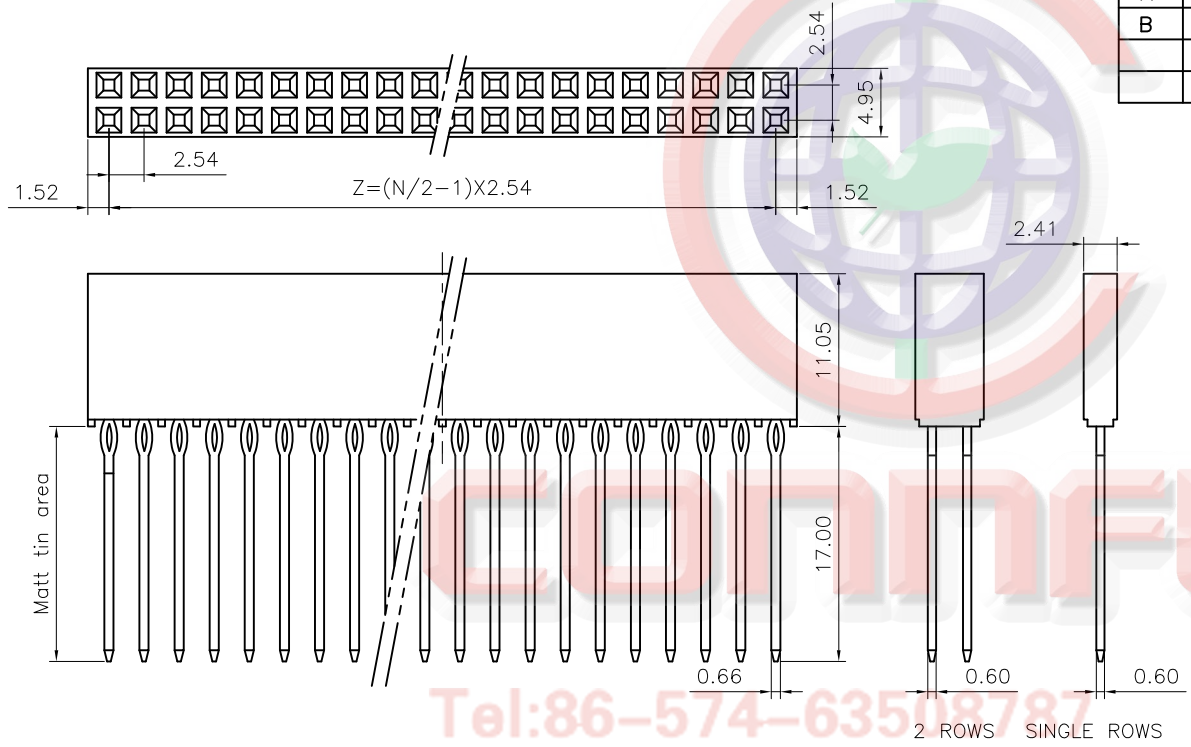


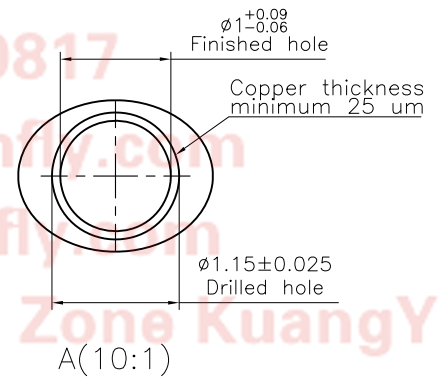
REV.	DESCRIPTION	DRAWN	CHECKED	APPROVED
A	NEW RELEASE	LJC 04/07/09'		LJC 04/07/09'
B	ADD P/N CODE	JLZ 11/24/14'		

- NOTES:
- Material:
Insulator: PBT With glass fiber. UL94 V-0.
Contact: Copper alloy.
 - Electrical performance
Current rating: 1.9A.
Contact resistance: 20mΩ maximum.
Insulation resistance: 1000MΩ minimum.
Dielectric withstanding voltage: 500V AC(r.m.s) per 60s.
 - Environment performance:
Temperature range: -55°C~+125°C.
 - Mechanical performance:
Mating force: 150 per pin maximum.
Withdrawal force: 30g per pin minimum.
Press-In force: 8Kgf per maximum.
 - Recommend PCB thickness: 1.6mm
 - Product number code:
PC104-004 - XX X X

- Contact plating:
1: Selective 10u" gold(contact area)
3: Selective 30u" gold(contact area)
6: Full Matt Tin(General Mode)
- Color:
B: Black
A: Gray
- No. of positions: (B)
1*2 ~ 1*50
2*2 ~ 2*50



Recommend PCB layout suggested hole size see detail A



Tel:86-574-63508787
Fax:86-574-63510817
E-mail:sale@connfly.com
http://www.connfly.com
Add:East Industry Zone KuangYan Town Cixi Ningbo China
P.C:315333

GENERAL TOLERANCE		ANGLE TOLERANCE	
X.	±0.60	X.	±5°
.X	±0.38	.X	±3°
.XX	±0.25	.XX	±2°

DRAWING TYPE	CUSTOMER		
SCALE	1:1	SHEET	1 OF 1
DRAWING NO.	C-PC104-004-XXXX-B		

PROJECTION		TITLE	PC/104 Stack V/T Type	
UNITS	mm	SERIES	PC104-004 SERIES	
SHEET SIZE	A4			

晨翔电子有限公司
CONNFLY CONNFLY ELECTRONIC CO. LTD