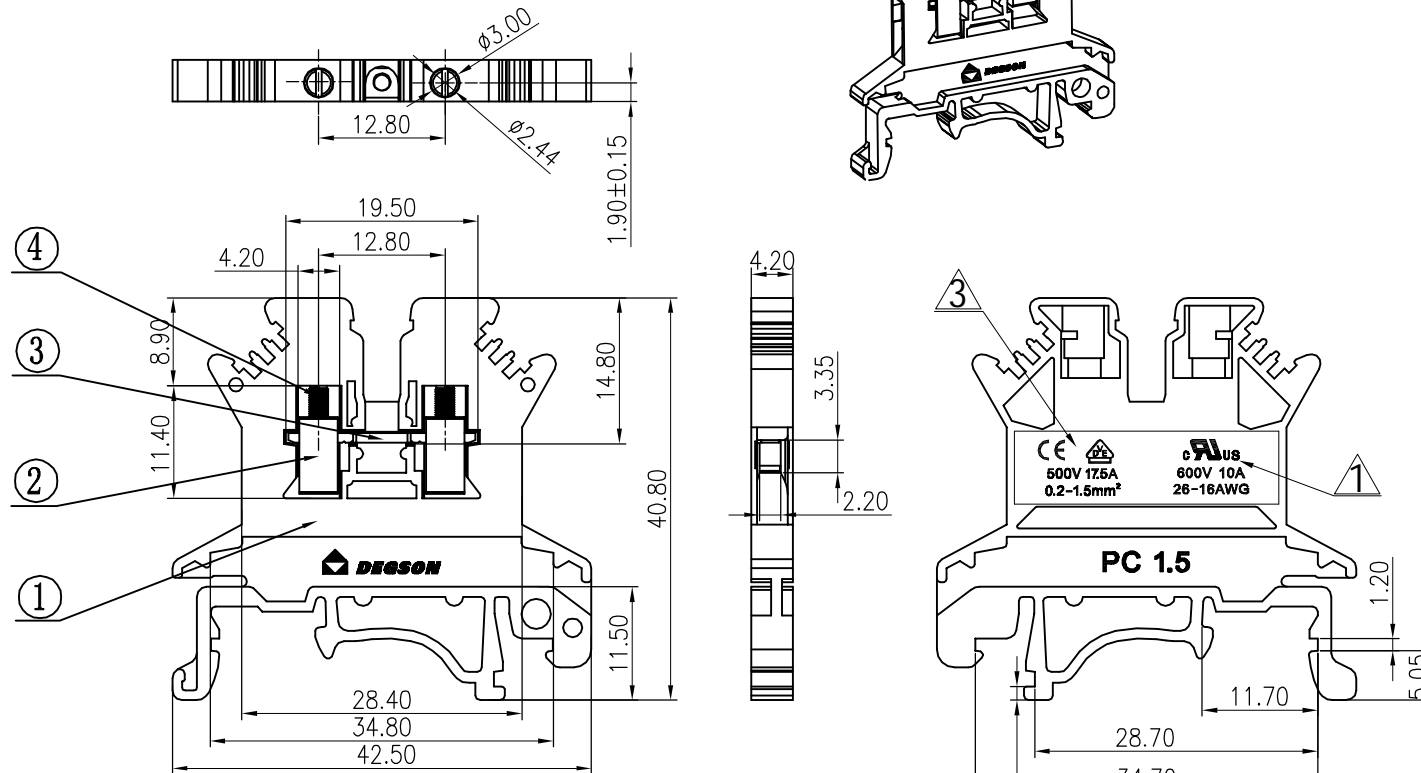


REVISION RECORD				
REV	ECO	DESCRIPTION	DRFT	DATE
△		增加UL刻字	CSX	08/07/07
△		品名、料号增加环保标示“(H)”	LJH	12/10/07
△		增加VDE刻字及参数	WLM	07/21/08
△		载流体依实物修改为镀锌铸	WLM	02/19/09



PC1.5-01P-1Y-00AH
 PC1.5 - series
 1 - single-row
 Y - color of housing (1 - gray color)
 00AH - no value

Notes:

- Rated Voltage/Current:UL 600V/10A
VDE 500V/17.5A
- Operation temperatures:-40° C ~+105° C
- Withstanding Voltage:AC3000V/1Min
- Insulation Resistance:5000MΩ/DC1000V
- Wire Range:26~16AWG, 0.2~1.5mm²
- Max Torque Value:M2, 2.04kgf.cm
- Undimensioned Tolerances:

Pitch range in mm			Nominal dimension range in mm					
	over 6	over 10	over 30	over 60	over 100	over 150		
to 6	to 10	to 24	to 30	to 60	to 100	to 150	⌒	
							▭	
±0.10	±0.15	±0.25	±0.2	±0.3	±0.5	±0.7	±1.0	
							0.05/10	

ITEM	NAME OF PART	NO. OF PART	Q'TY	MATERIAL	NOTES
4	PC 1.5-Screws	S000001600 (H)	2	Brass	Ni Plated
3	PC 1.5-Current Carrier	6020B00010 (H)	1	Copper	△SnCe Plater
2	PC 1.5-Brass Cage	X000001080 (H)	2	Brass	Ni Plated
1	PC1.5 Housing	6020A0Y01A (H)	1	PA66	UL94V-0

DETACHED LISTS	MM (INCH)	DFTO Zhuwm	DATE 05/20/06	宁波高正电子有限公司 NINGBO DEGSON ELECTRICAL CO., LTD.	
	TOLERANCES EXCEPT AS NOTED	CHKD	DATE		
		MFO	DATE		
		APPVL	DATE		
		MATERIAL :			
	ANGLES ± 1°	G.E :		NAME	PC1.5-01P-1Y-00A(H)
	THIRD ANGLE PROJECTION	FINISH :		DRAWING NO. PC 1.5-E01	SIZE A3
		SCALE : 1:1		/PART NO.	REV T4
				DO NOT SCALE DRAWING	02/19/09
				SHEET 1	OF 1