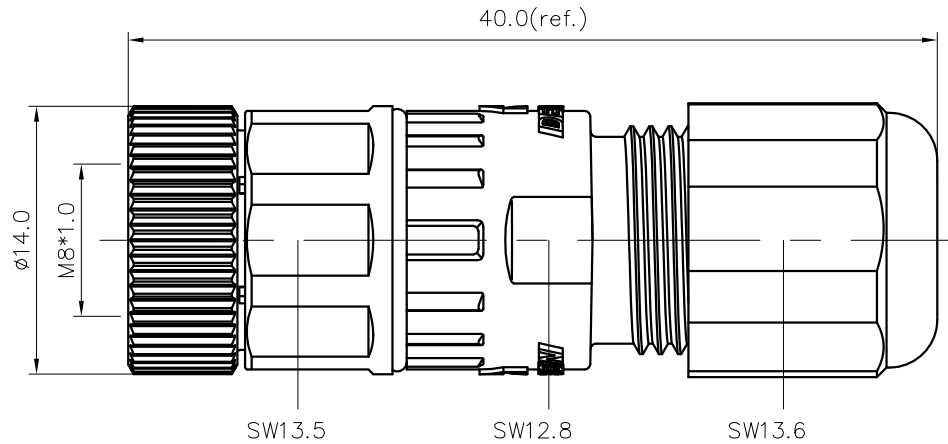
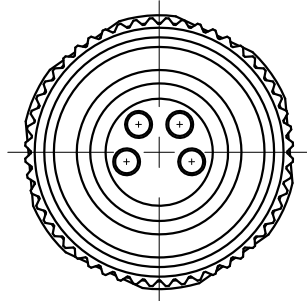


REVISION RECORD

REV	ECN	DESCRIPTION	DRFT	DATE
-----	-----	-------------	------	------



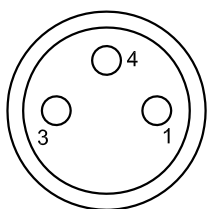
PB-M8A-XXP-FF-SL7001-00A(H)

Pin number: 03,04

NOTES:

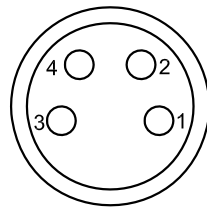
- Rated voltage/current : 3pin: 60V / 3A (AC current)  
4pin: 60V / 3A (AC current)
- Withstanding voltage : 3,4pin: AC850V/1Min
- Levels of protection: IP67
- Wire range : 3pin: 24~22AWG/0.25~0.34mm<sup>2</sup>  
4pin: 24~22AWG/0.25~0.34mm<sup>2</sup>
- Cable range : 4~6mm
- Wire connection mode: screw
- Operating temperature: -40°C~+85°C
- RoHS Compliance
- Tolerance : ±0.5mm

3pin A Coding


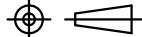


Pin Assignment Front View

4pin A Coding



Pin Assignment Front View

DETACHED LISTS	PART NO.: PBM8AXXPFFSL700100AH		 宁波高松电子有限公司 NINGBO DEGSON ELECTRICAL CO., LTD	
	APPD:	NAME:	PB-M8A-XXP-FF-SL7001-00A(H)	
	CHKD:	DRFT:	TITLE:	REV
	SQ 2019.05.17		CUSTOMER DRAWING	D0-1
 THIRD ANGLE PROJECTION		DRAWING NO.:	SHEET	
		XXXXXXXX-XX-CXX	1/1	
		MM (INCH)	DO NOT SCALE DRAWING	SCALE
				1:1