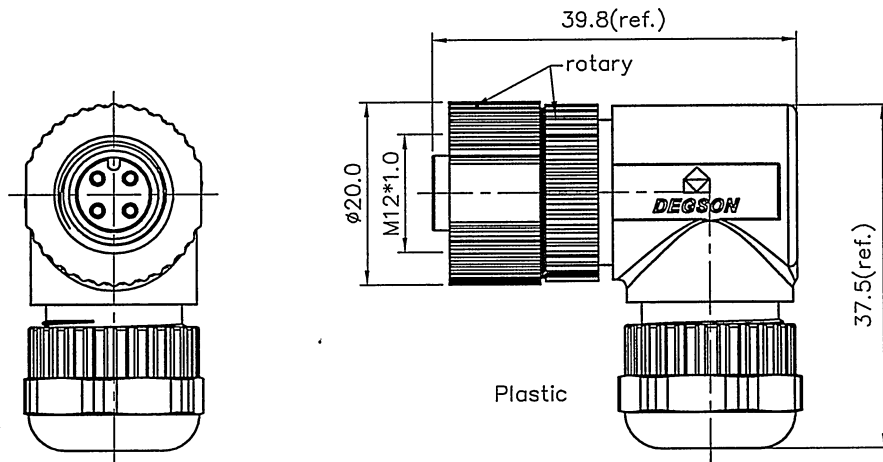


REVISION RECORD				
REV	ECN	DESCRIPTION	DRFT	DATE

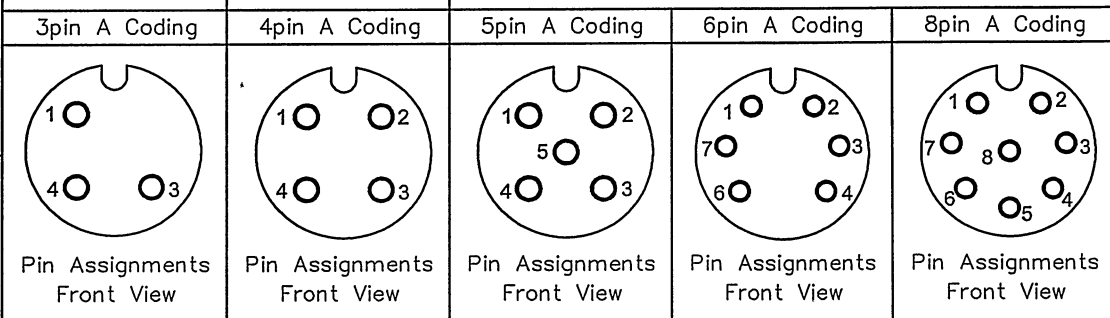
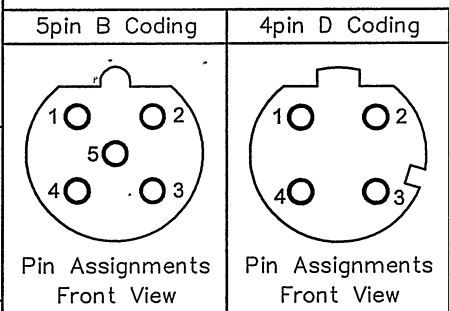


NOTES:

- Rated voltage/current : 3pin A: 250V / 4A
4pin A: 250V / 4A
5pin A: 60V / 4A
6pin A: 30V / 2A
8pin A: 30V / 2A
5pin B: 60V / 4A
4pin D: 250V / 4A
- Withstanding voltage : 3,4pin A: AC1500V/1Min
5pin A: AC1120V/1Min
6,8pin A: AC500V/1Min
5pin B: AC1120V/1Min
4pin D: AC1500V/1Min
- Levels of protection: IP67
- Wire range :
3pin A: 24~20AWG/0.25~0.52mm²
4pin A: 24~20AWG/0.25~0.52mm²
5pin A: 24~20AWG/0.25~0.52mm²
6pin A: 24~22AWG/0.25~0.34mm²
8pin A: 24~22AWG/0.25~0.34mm²
5pin B: 24~20AWG/0.25~0.52mm²
4pin D: 24~20AWG/0.25~0.52mm²
- Cable OD: 4~8mm
- Wire connection mode: screw
- Operating temperature: -25°C~+105°C
- RoHS Compliance
- Tolerance : ±0.5mm

PB-M12X-XXP-FF-SR7001-00A(H)

Coding: A,B,D
Pin number: 03,04,05, 06,08



DETACHED LISTS	PART NO.: PBM12XXPPFFSR700100AH	宁波高松电子有限公司 NINGBO DEGSON ELECTRICAL CO., LTD			
	APPD: ZX 2019.05.20	NAME: PB-M12X-XXP-FF-SR7001-00A(H)			
	CHKD: LP 2019.5.20	TITLE: CUSTOMER DRAWING			
	DRFT: SQ 2019.05.17	REV: D0-1	SHEET: 1/1		
	THIRD ANGLE PROJECTION		DRAWING NO.: XXXXXXX-XX-CXX		SCALE: 1:1