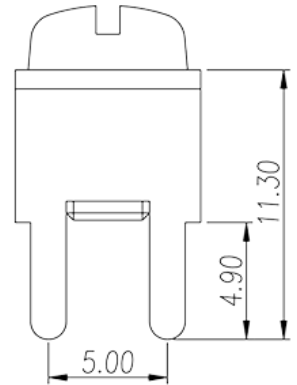
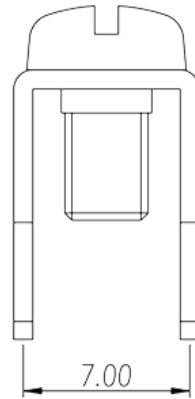


# P-820N

Barrier Terminal Blocks > Wire Terminal

Date:2018-10-26Version:1.2



The web catalog is for reference only. Dinkle remains the right of product modification and engineering change of the design. The final product is made according to engineering drawing.

## Product Description

Pitch : 5.00 / 7.00 mm , 0.8x1.5mm , 50A

## General information

|  |   |
|--|---|
| Short description                      | Barrier terminal blocks , Quick terminal blocks |
| Category                               | Quick terminal blocks                           |
| Pitch (mm)                             | 5.00 / 7.00                                     |
| Pin demensions (Thickness x Width)(mm) | 0.8x1.5   |

## Material information

|                              |              |
|------------------------------|--------------|
| Conductor material           | Copper Alloy |
| Plating of conductor surface | Tinned       |

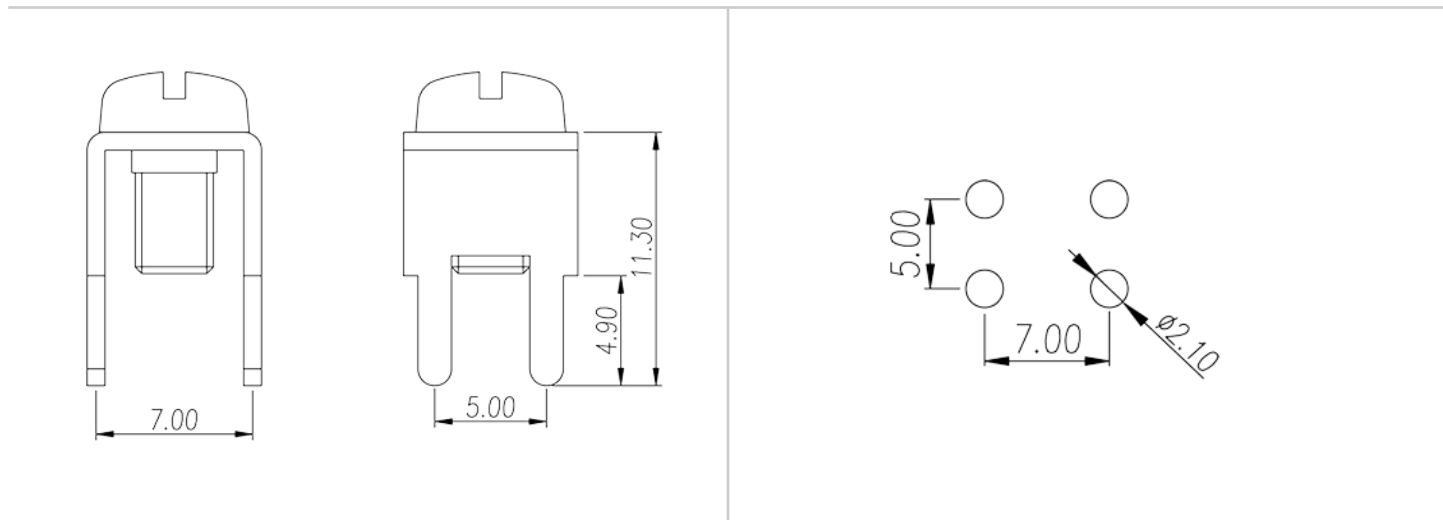
## Connection data-IEC

|  |         |
|--|---------|
| Screw thread   | #6-32   |
| Slotted screwdriver size (Blade thickness x Width)(mm) | 0.8x4.0 |
| Philips screwdriver size                               | PH2     |
| Recommend tightening torque. min (N.m)                 | 0.8     |
| Recommend tightening torque. max (N.m)                 | 1       |

## VDE Approval

|                   |    |
|-------------------|----|
| Rated current (A) | 50 |
|-------------------|----|

## Drawings



## Approvals

