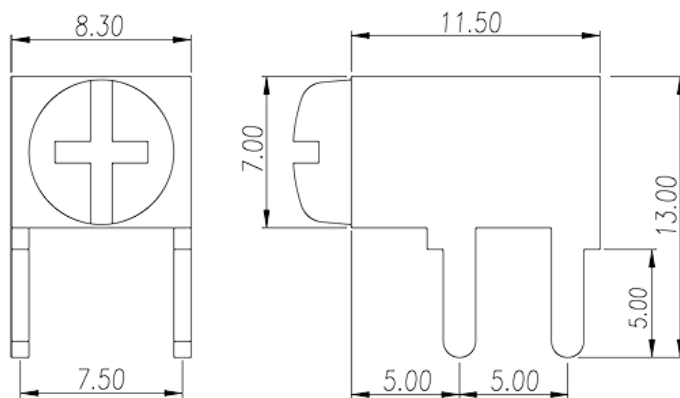
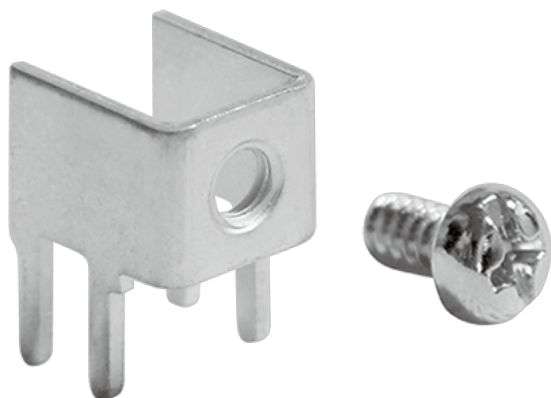


# P-810N

Barrier Terminal Blocks &gt; Wire Terminal

Date:2018-10-22Version:1.2



The web catalog is for reference only. Dinkle remains the right of product modification and engineering change of the design. The final product is made according to engineering drawing.

## Product Description

Pin size:0.8x1.5mm, 80A

## General information

Short description	Barrier terminal blocks , Quick terminal blocks
Category	Quick terminal blocks
Pin demensions (Thickness x Width)(mm)	0.8x1.5

## Material information

Conductor material	Copper Alloy
Plating of conductor surface	Tinned

## Connection data-IEC

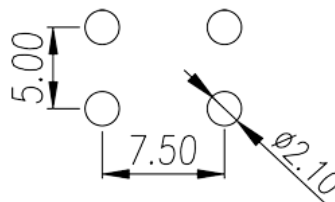
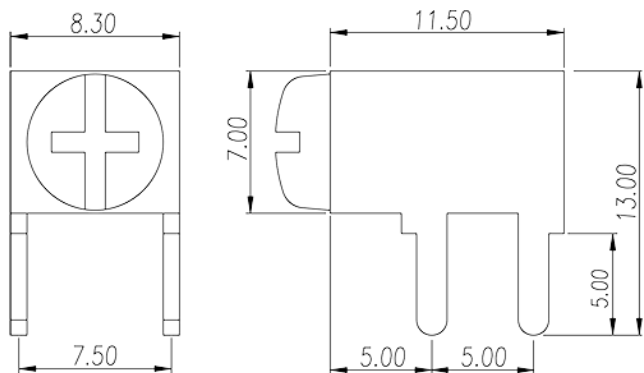
Screw thread	#6-32
Slotted screwdriver size (Blade thickness x Width)(mm)	0.8x4.0
Philips screwdriver size	PH2
Recommend tightening torque. min (N.m)	0.8
Recommend tightening torque. max (N.m)	1

## VDE Approval

Rated current (A)

80

## Drawings



## Approvals

