

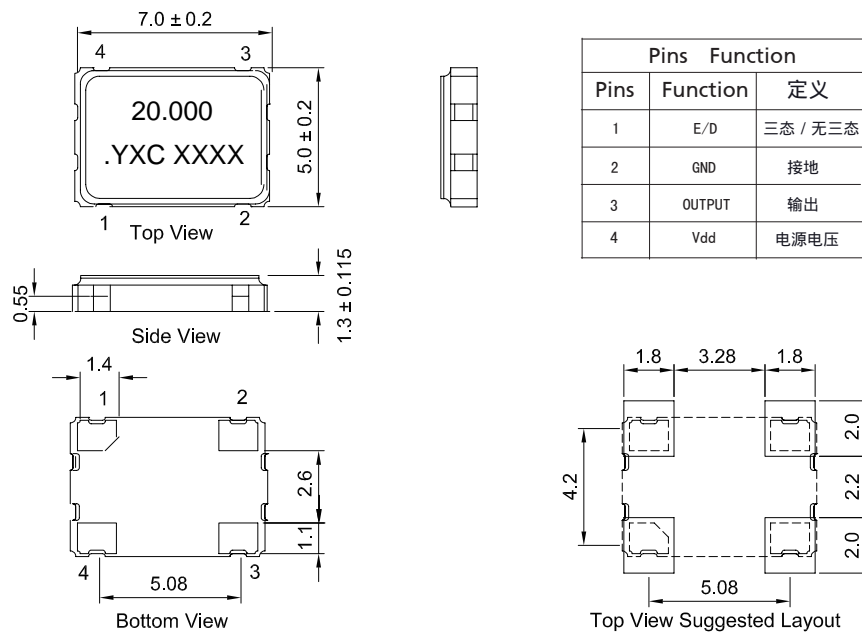
**Features**

- External dimensions: 7.0 x 5.0 x 1.3 mm.
- Frequency range: 1MHz ~ 200MHz.
- Small SMD seam sealed clock crystal oscillator units.
- High precision characteristic covering up to wide frequency range.
- Designed for automatic mounting and reflow soldering.
- Tri-State function available
- High stability, low jitter, low power consumption.
- Applications: wireless communication, PC, and LCDM.

**Electrical Specifications**

Item / Type	O705020MFDA4SI
Output Frequency Range	20.000 MHz
Output Type	CMOS
Supply Voltage	5.0V
Oscillation Mode	Fundamental / 3rd Overtone
Frequency Tolerance	± 20ppm
Output Load	15 pF, or specify
Operating Temperature Range	- 40 ~ + 85 °C
Storage Temperature Range	- 40 ~ + 85 °C, - 55 ~ + 125 °C
Voltage Vol ( Max. ) / Vol ( Min. )	90%Vdd min./10%Vdd max
Symmetry	40 ~ 60 % Standard
Rise ( Tr ) / Fall ( Tf ) Time	8 ns Max.
Start-up Time	10 ms Max.
Supply Current	See Below
Frequency Aging ( at 25 °C )	± 3 ppm / year Max.

**Dimensions**



Units: mm

★ PART NUMBER GUIDE 部件号示例

e.g. O705020MFDA4SI

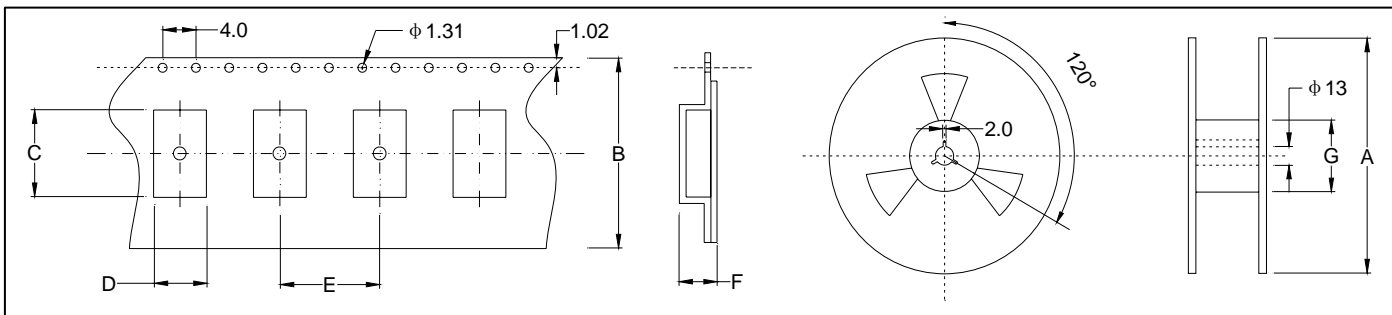
YSO751SR=7.0×5.0 SMD SEAM TYPE

Quartz Crystal Oscillator	Dimensions	Frequency (Hz)	Supply voltage (V)	Frequency Stability Overall (ppm)	output	Pin	Material	Operating Temp. Range
Crystal Oscillator	7.0*5.0mm	20MHz	5.0V	±20ppm	CMOS	4	Metal	-40~ +85

★ INPUT CURRENT 工作电流

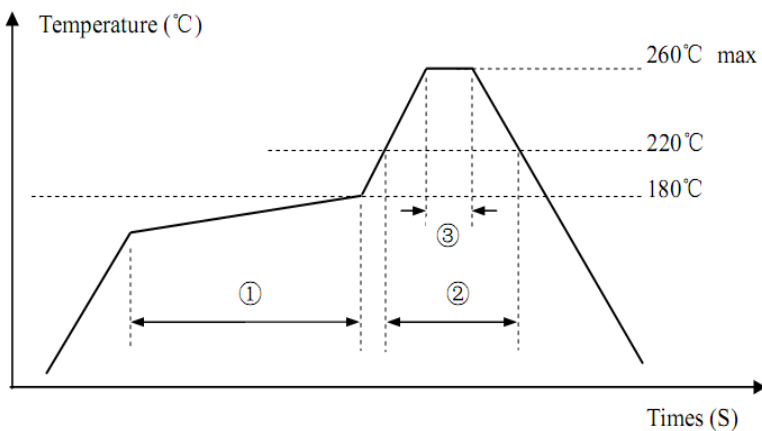
Vdc=5.0V		Vdc=1.8~3.3V	
15pF only		15pF only	
1.0 ~ 35.999 MHz	25 mA max	1.0 ~ 35.999 MHz	20mA max
36.0 ~ 69.999 MHz	60mA max	36.0 ~ 69.999 MHz	40mA max
70.0 ~ 150 MHz	80mA max	70.0 ~ 150 MHz	60mA max

★ TAPING SPECIFICATION (Unit: mm) 编带规格



	A	B	C	D	E	F	G
OSC-SMD7050	178±2.0	16.0±0.3	8.40±0.15	5.80±0.15	7.88±0.1	1.90±0.1	58.0±1.0
1000 pcs per reel							

★ REFLOW SOLDERING PROFILE 回流焊特性



Pb free reflow A	①	Preheat	160~180°C	120sec. max
	②	Primary heat	220°C	60sec. max
	③	Peak	260°C	10sec. max.

★ Test Circuit 测试电路

