

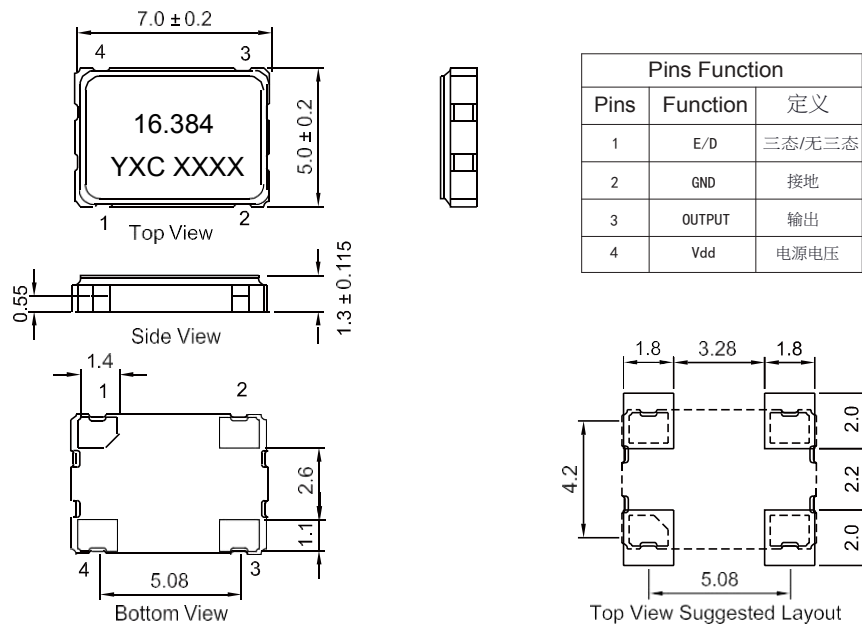
Features

- External dimensions: 7.0 x 5.0 x 1.3 mm.
- Frequency range: 1MHz ~ 200MHz.
- Small SMD seam sealed clock crystal oscillator units.
- High precision characteristic covering up to wide frequency range.
- Designed for automatic mounting and reflow soldering.
- Tri-State function available
- High stability, low jitter, low power consumption.
- Applications: wireless communication, PC, and LCDM.

Electrical Specifications

Item / Type	O705016384MEDA4SI
Output Frequency Range	16.384 MHz
Output Type	CMOS
Supply Voltage	3.3V
Oscillation Mode	Fundamental / 3rd Overtone
Frequency Tolerance	± 20ppm
Output Load	15 pF, or specify
Operating Temperature Range	- 40 ~ + 85 °C
Storage Temperature Range	- 55 ~ + 125 °C
Voltage Vol (Max.) / Vol (Min.)	90%Vdd min./10%Vdd max
Symmetry	40 ~ 60 % Standard
Rise (Tr) / Fall (Tf) Time	8 ns Max.
Start-up Time	10 ms Max.
Supply Current	See Below
Frequency Aging (at 25 °C)	± 3 ppm / year Max.

Dimensions



Pins Function		
Pins	Function	定义
1	E/D	三态/无三态
2	GND	接地
3	OUTPUT	输出
4	Vdd	电源电压

Units: mm

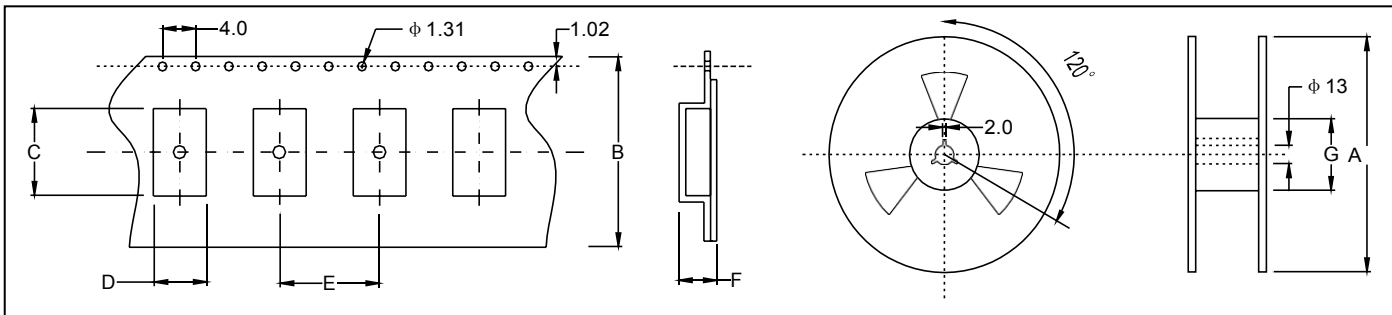
★ **PART NUMBER GUIDE 部件号示例** e.g. O705016384MEDA4SI YSO 7 51SR = 7.0×5.0 SMD SEAMTYPE

Quartz Crystal Oscillator	Dimensions	Frequency (Hz)	Supply voltage (V)	Frequency Stability Overall (ppm)	output	Pin	Material	Operating Temp. Range
Crystal Oscillator	7.0* 5.0mm	16.384M	3.3V	±50ppm	CMOS	4	Metal	-40~ +85℃

★ **INPUT CURRENT 工作电流**

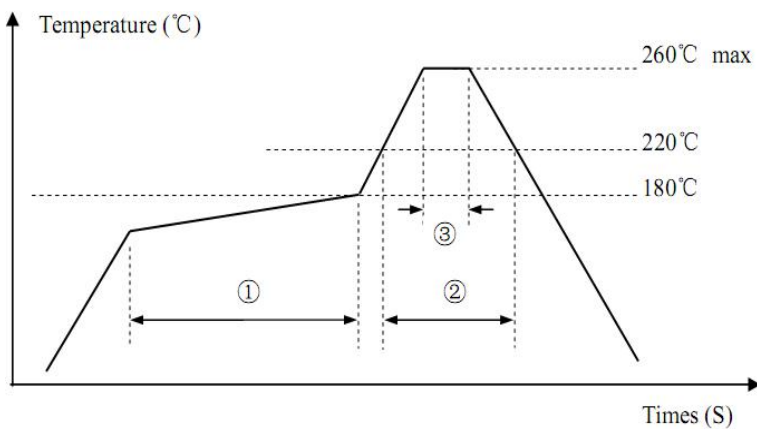
Vdc=5.0V		Vdc=1.8~3.3V	
15pF only		15pF only	
1.0 ~ 35.999 MHz	25 mA max	1.0 ~ 35.999 MHz	20mA max
36.0 ~ 69.999 MHz	60mA max	36.0 ~ 69.999 MHz	40mA max
70.0 ~ 150 MHz	80mA max	70.0 ~ 150 MHz	60mA max

★ **TAPING SPECIFICATION (Unit: mm) 编带规格**



	A	B	C	D	E	F	G
OSC-SMD7050	178±2.0	16.0±0.3	8.40±0.15	5.80±0.15	7.88±0.1	1.90±0.1	58.0±1.0
1000 pcs per reel							

★ **REFLOW SOLDERING PROFILE 回流焊特性**



Pb free reflow	①	②	③
A	Preheat	Primary heat	Peak
	160~180℃	220℃	260℃
	120sec. max	60sec. max	10sec. max.

★ **Test Circuit**

