



SPECIFICATION

Customer:

Item:	CRYSTAL UNIT
Type:	NX3225SA
Nominal frequency:	40 MHz
Customer's Spec. No.:	---
NDK Spec. No.:	S1-4085-2020-10

Receipt

Charge:

Sales			
Engineer			

Revision Record				
Rev.	Rev. Date	Items	Contents	Remarks

A				
B				

1. Customer specifications number : ---
2. NDK specification number : S1-4085-3030-16
3. Type : NX3225SA
4. Electrical characteristics
- 4.1. Nominal frequency : 40 MHz
 - 4.2. Overtone order : Fundamental
 - 4.3. Adjustment tolerance : $\pm 20 \times 10^{-6}$ Max. (at + 25 °C)
 - 4.4. Tolerance over the temperature range : $\pm 20 \times 10^{-6}$ Max. (- 40 to + 85 °C)
The reference temperature shall be 25°C
 - 4.5. Resonance Resistance (Rr) : 50 Ω Max.
 - 4.6. Shunt Capacitance(C₀) : 7.0 pF Max. (Not grounded)
 - 4.7. Motional Capacitance (C₁) : 4.7 fF +/-20% (Not grounded)
 - 4.8. Insulation resistance : Terminal to terminal insulation resistance also terminal to cover insulation resistance must be 500 M Ω (min.) when DC100 V \pm 10 % is applied.
5. Measurement circuit
- 5.1. Frequency measurement
 - Measuring instrument : IEC π -network
 - Load capacitance : 10 pF
 - Level of drive : 10 μ W
 - 5.2. Equivalent resistance measurement
 - Measuring instrument : IEC π -network
 - Load capacitance : Series
 - Level of drive : 10 μ W
6. Other performances
- 6.1. Hermeticity : Less than 1.1×10^{-9} Pa m³/s (Helium leak detector)
 - 6.2. Operating Temperature range : - 40 to + 85 °C
 - 6.3. Storage Temperature range : - 40 to + 85 °C
 - 6.4. Maximum drive level : 200 μ W Max.
 - 6.5. Aging (at +25°C) : $\pm 1 \times 10^{-6}$ Max. / 1st year
7. Examination results document
Since a performance is guaranteed, an examination results document does not submit.
8. Application drawing
- 8.1. External dimension : EXD14B-00370
 - 8.2. Taping and reel figure : EXK17B-00098
 - 8.3. Holder marking : EXH11B-00319
 - 8.4. Reliability assurance Item : EXS30B-00250

9. Notice

- 9.1. Order items are manufactured according to specification. As to conditions, which are not indicated in this specification and unpredictable such as applied condition and oscillation margin, please check them beforehand.
- 9.2. Unless we receive request for modification within 3 weeks from the issue date of this NDK specification sheet, we will supply products according to this specification. Also, if you'd like to modify specification of order, which has been placed with delivery request within 3 weeks from the issue data of this specification sheet, we would like to discuss with you separately.
- 9.3. In no event shall the company be liable for any product failure resulting from an inappropriate handling or operation of the product beyond the scope of its guarantee.
- 9.4. Where any change to the process condition is made due to the change(s) in the production line, inform personnel of the specifications.
- 9.5. Should this specification data give rise to any disputes relating to any intellectual property rights or any other rights of a third person, the company shall not indemnify anyone for any damage. Their disclosure must not be construed as the grant of a license to use any of the intellectual property rights owned by the company.
- 9.6. If you intend to use products listed on this specification for applications that may result in loss of life or assets (controls relating to safety, medical equipment, aeronautical equipment, space equipment, etc.), please do not fail to advise us of your intention beforehand.
- 9.7. In the company's production process whatever amount of ozone depleting substances (ODS) as specified in the Montreal protocol is not used.
- 9.8. Information contained in this specification must not be quoted, reproduced or used for other purposes including processing either in part or in full without obtaining prior approval from the company.

10. Prohibited items

Be sure to use the product under the following conditions. Otherwise, the characteristics deterioration or destruction of the product may result.

(1) Reflow soldering heat resistance

Peak temperature: 265°C, 10 sec

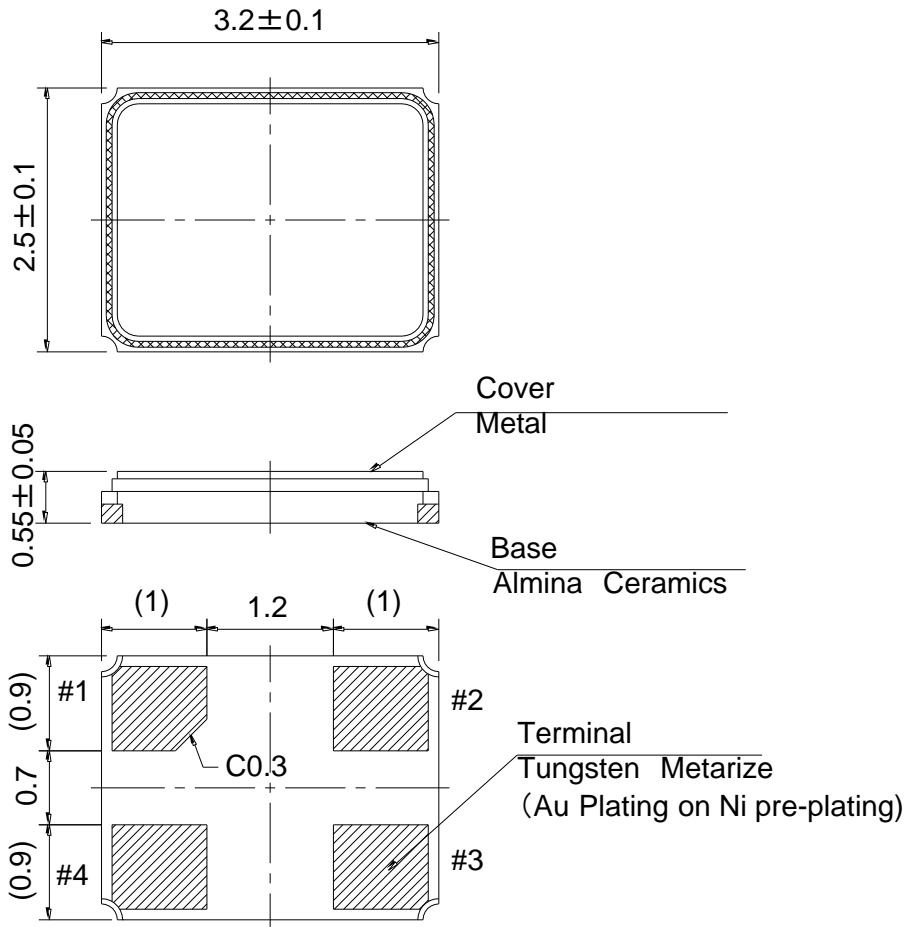
Heating: 230°C or higher, 40 sec

Preheating: 150°C to 180°C, 120 sec

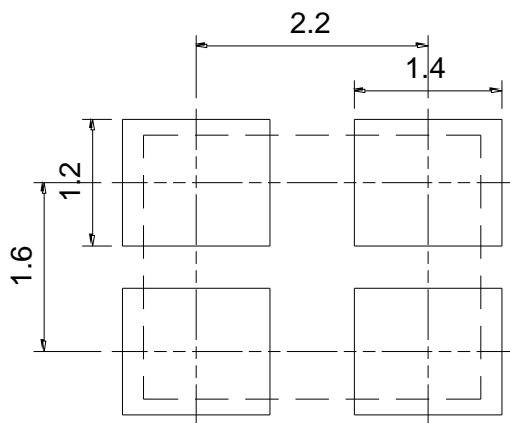
Reflow passage times: two times

(2) Manual soldering heat resistance

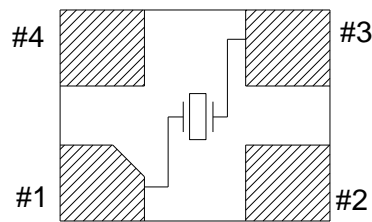
Pressing a soldering iron of 400°C on the terminal electrode for four seconds (twice).



LAND PATTERN (TYPICAL)



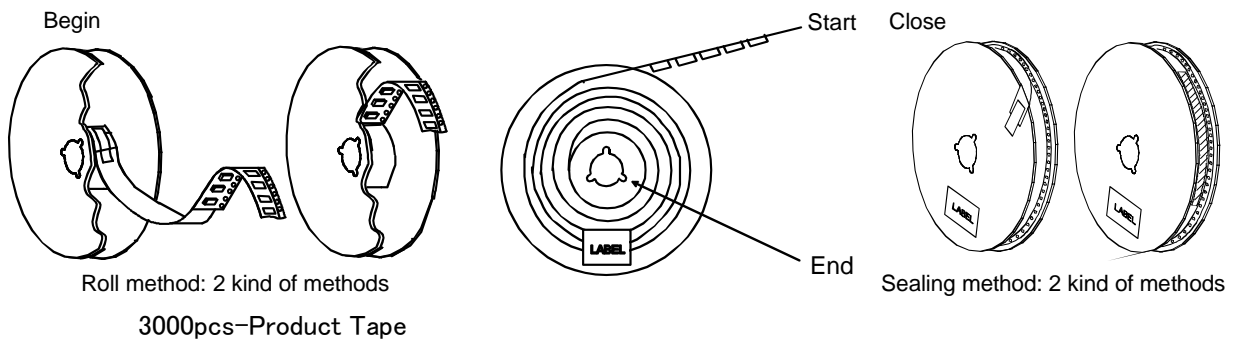
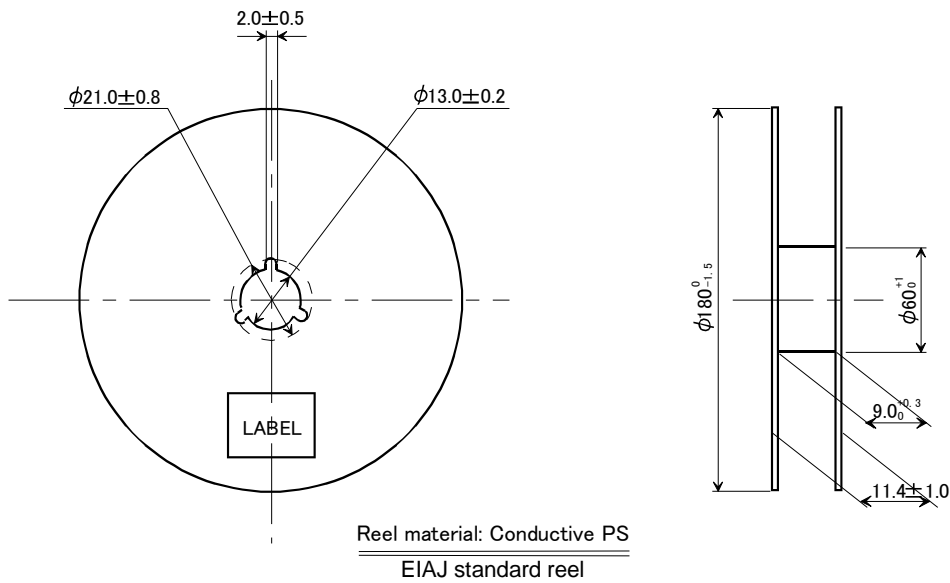
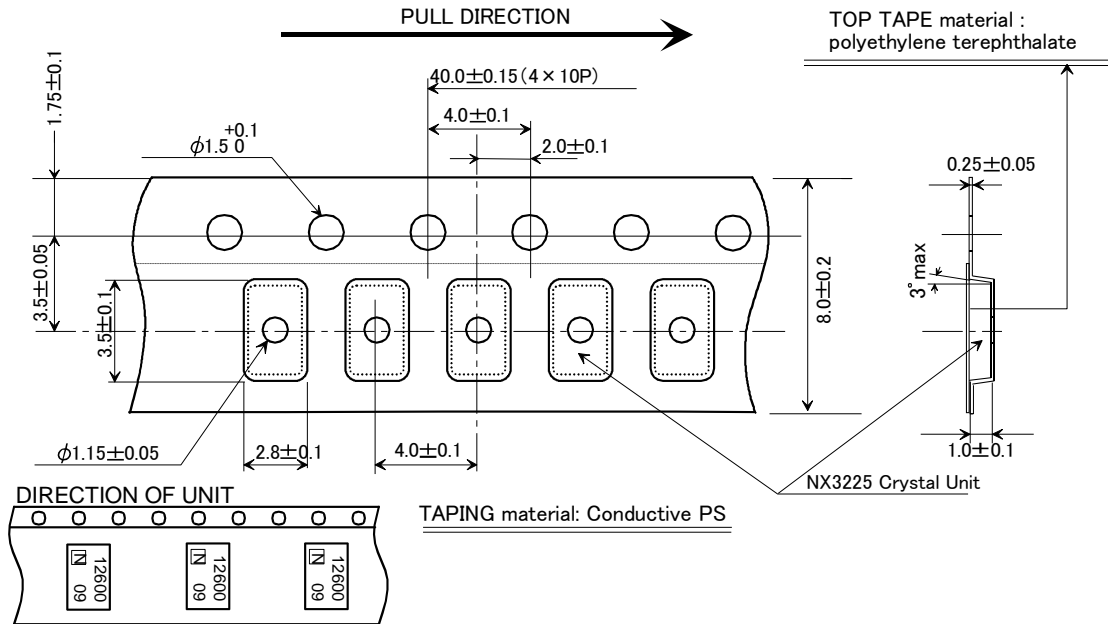
PIN CONNECTION (TOP VIEW)



※ #1,#3 : Xtal
#2,#4 : GND (CONNECTION COVER)

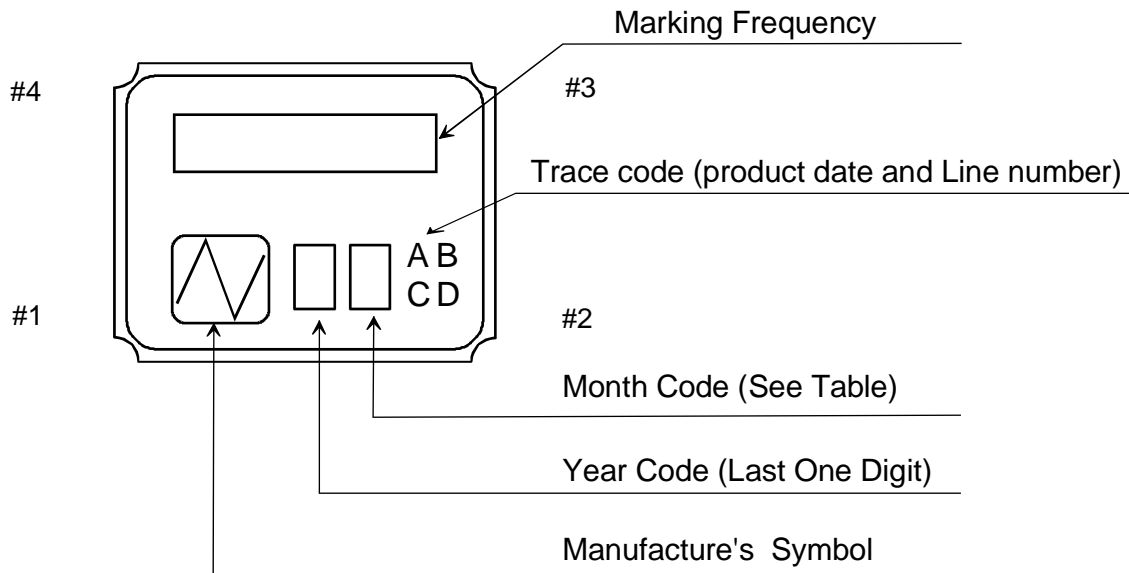
	Date of Revise	Charge	Approved	Reason	
A	4.Sep.2007	R.Shariman	K.Kubota	Add Tolerance.	
	Date	Name	Third Angle Projection	Tolerance	Scale
Drawn	25.Oct.2005	S.Mizusawa	Dimension:mm	± 0.1	- / -
Designed	25.Oct.2005	S.Mizusawa	Title NX3225SA Dimension Drawing		Drawing No. EXD14B-00370
Checked					
Approved	25.Oct.2005	S.Mizusawa			

NIHON DEMPA KOGYO CO., LTD.



	Date of Revise	Charge	Approved	Reason	
H	12 Jul. 2011	T. Shimizu	K. Oguri	Method of roll was added.	
	Date	Name	Third Angle Projection	Tolerance	
Drawn	3.Sep.2001	K.Oguri	Dimension:mm	Scale	
Designed	3.Sep.2001	K.Oguri	Title	Drawing No.	
Checked					EXK17B-00098
Approved	3.Sep.2001	K.Miyashita			
			NX3225 Series Taping and Reel Spec.		
			H		

NIHON DEMPA KOGYO CO., LTD.



NOTE

1. Month Code Table

Month	1 Jan.	2 Feb.	3 Mar.	4 Apr.	5 May.	6 Jun.	7 Jul.	8 Aug.	9 Sep.	10 Oct.	11 Nov.	12 Dec.
Month Code	1	2	3	4	5	6	7	8	9	X	Y	Z

*Marking digits are not include a decimal point and dot mark.

	Date of Revise	Charge	Approved	Reason			
A	10. Jul. 2008	T.Asamizu	K.Kubota	Delete application period.			
	Date	Name	Third Angle Projection	Tolerance	Scale		
Drawn	14. Feb. 2006	T.Asamizu	Dimension:mm		/		
Designed	14. Feb. 2006	T.Asamizu	Title Crystal Holder Marking		Drawing No. EXH11B-00319		
Checked	14. Feb. 2006	I.Miyahara					Rev. A
Approved	14. Feb. 2006	K.Okamoto					

NIHON DEMPA KOGYO CO., LTD.

Reliability assurance item

(page: 1/1)

No.	Test Item	Test Methods	Specification Code
1	High Temperature Storage	+85±3°C 720h	A
2	Low Temperature Storage	-40±3°C 500h	A
3	Temperature Humidity	+85±3°C 80~85%RH 500h	A
4	Temperature Cycling	-40±3°C / +85±3°C It is 1000 cycles using 30 minutes each as 1 cycle.	A
5	Vibration	Frequency Range : 10~2000Hz Amplitude or Acceleration : 1.52mm or 196m/s ² 1 cycle : 20 minutes Test time : Three mutually perpendicular axes each 4 hours.	A
6	Shock	Devices are shocked to half sine wave (29418m/s ² , 0.3msec) six mutually perpendicular axis each 1 times.	A
7	Drop	Preparation : Test pieces should be fixed on the dummy load with 200g weight. Condition : Height 1.5m onto concrete Drop times : 10 times in 6 mutually perpendicular axes	A
8	Solderability	Pre-heat temperature : +150±10°C Pre-heat time : 60~120s When the temperature of the specimen is reached at +215±3°C, it shall be left for 30±1sec. Peak temperature 240±5°C Material: Pb-free (Sn-3.0Ag-0.5Cu) Flux : Rosin resin methyl alcohol solvent (1 : 4)	B
9	Reflow resistance	Pre-heat temperature : +150~180°C Pre-heat time : 90±30s Heat temperature : more than +230°C Pre-heat time : less than 30s Peak temperature : +260±5°C Peak time : less than 10s	A

Specification code	Specification
A	$\Delta f/f \leq \pm 3$ ppm $\Delta CI/CI \leq \pm 15$ % or 5 Ω make use larger value
B	The electrodes should be covered by a new solder at least 90% of immersed area.