



RoHS Compliant  
Directive 2011/65/EU

# SPECIFICATION

Customer: ELTECH

Item:	Crystal Unit
Type:	NX3225GD
Nominal Frequency:	8.192 MHz
Customer's Spec. No.:	
NDK Spec. No.:	EXS00A-CG05863

Receipt

Charge:

Sales	NDK Europe Ltd. Italy Office. Paola Bandera	Tel. : (39)-02-96702920 e-Mail : bandera@it.ndk.com
Engineer	1 <sup>st</sup> Eng. Dept. Y.Sakurai	Tel. : (81)-4-2900-6631 e-Mail : sakurai@ndk.com

## Revision Record

Rev.	Date	Items	Contents	Approved	Checked	Drawn
---	8. Jul. 2015	Issue	---	H.Kobayashi	K.Komada	Y.Sakurai

1. Customer's Spec. No. :  
 2. NDK Spec. No. : EXS00A-CG05863  
 3. Type : NX3225GD  
 4. Electrical Specifications

	Parameters	SYM.	Electrical Spec.				Notes
			min	typ	max	Units	
1	Nominal frequency	$f_{nom}$	8.192			MHz	
2	Overtone order	-	Fundamental			-	AT-CUT
3	Frequency tolerance	-	-30	-	+30	ppm	at +25°C
4	Frequency versus temperature characteristics	-	-30	-	+30	ppm	at -40~+85°C The reference temperature shall be +25°C
5	Equivalent resistance	-	-	-	500	$\Omega$	IEC $\pi$ -Network / Series
6	Load capacitance	$C_L$	-	16	-	pF	IEC $\pi$ -Network
7	Level of drive	-	-	10	200	$\mu$ W	
8	Insulation resistance	-	500	-	-	M $\Omega$	When terminal to terminal at DC100V $\pm$ 15V.
9	Operating temperature range	$T_{opr}$	-40	-	+85	°C	
10	Storage temperature range	$T_{str}$	-40	-	+150	°C	
11	Air-tightness	-	-	-	$3.0 \times 10^{-9}$	Pa m <sup>3</sup> /s	Helium leak detector

## 5. Examination results document

The examination results document is submitted every shipment lot.

## 6. Application drawing

- 6.1 External dimension : EXD14B-00474  
 6.2 Taping and reel figure : EXK17B-00247  
 6.3 Holder marking : EXH11B-00392  
 6.4 Reliability assurance Item : EXS30B-00821  
 6.5 Recommendation reflow profile : EXS30B-00344

## 7. Notice

- 7.1 Order items are manufactured according to specification. As to conditions, which are not indicated in this specification and unpredictable such as applied condition and oscillation margin, please check them beforehand.
- 7.2 Unless we receive request for modification within 3 weeks from the issue date of this NDK specification sheet, we will supply products according to this specification. Also, if you'd like to modify specification of order, which has been placed with delivery request within 3 weeks from the issue data of this specification sheet, we would like to discuss with you separately.
- 7.3 In no event shall the company be liable for any product failure resulting from an inappropriate handling or operation of the product beyond the scope of its guarantee.
- 7.4 Where any change to the process condition is made due to the change(s) in the production line, inform personnel of the specifications.
- 7.5 Should this specification data give rise to any disputes relating to any intellectual property rights or any other rights of a third person, the company shall not indemnify anyone for any damage. Their disclosure must not be construed as the grant of a license to use any of the intellectual property rights owned by the company.
- 7.6 If you intend to use products listed on this specification for applications that may result in loss of life or assets (controls relating to safety, medical equipment, aeronautical equipment, space equipment, etc.), please do not fail to advise us of your intention beforehand.
- 7.7 In the company's production process whatever amount of ozone depleting substances (ODS) as specified in the Montreal protocol is not used.
- 7.8 Information contained in this specification must not be quoted, reproduced or used for other purposes including processing either in part or in full without obtaining prior approval from the company.
- 7.9 Crystal units will be damaged by ultrasonic welding process due to resonance of crystal wafer itself. NDK does not recommend using ultrasonic welding. If Ultra Sonic welding used, NDK strongly recommend verifying crystal unit damage by ultrasonic weld.
- 7.10 In case of the product long time keep at high temperature and humidity, may affect product characteristic (solder ability) and a packing condition.  
Please keep at storage condition of temperature +5°C ~+35°C, humidity ~85%RH.

## 8. Prohibited items

Be sure to use the product under the following conditions. Otherwise, the characteristics deterioration or destruction of the product may result.

### (1) Reflow soldering heat resistance

Peak temperature: 265°C, 10 sec

Heating: 230°C or higher, 40 sec

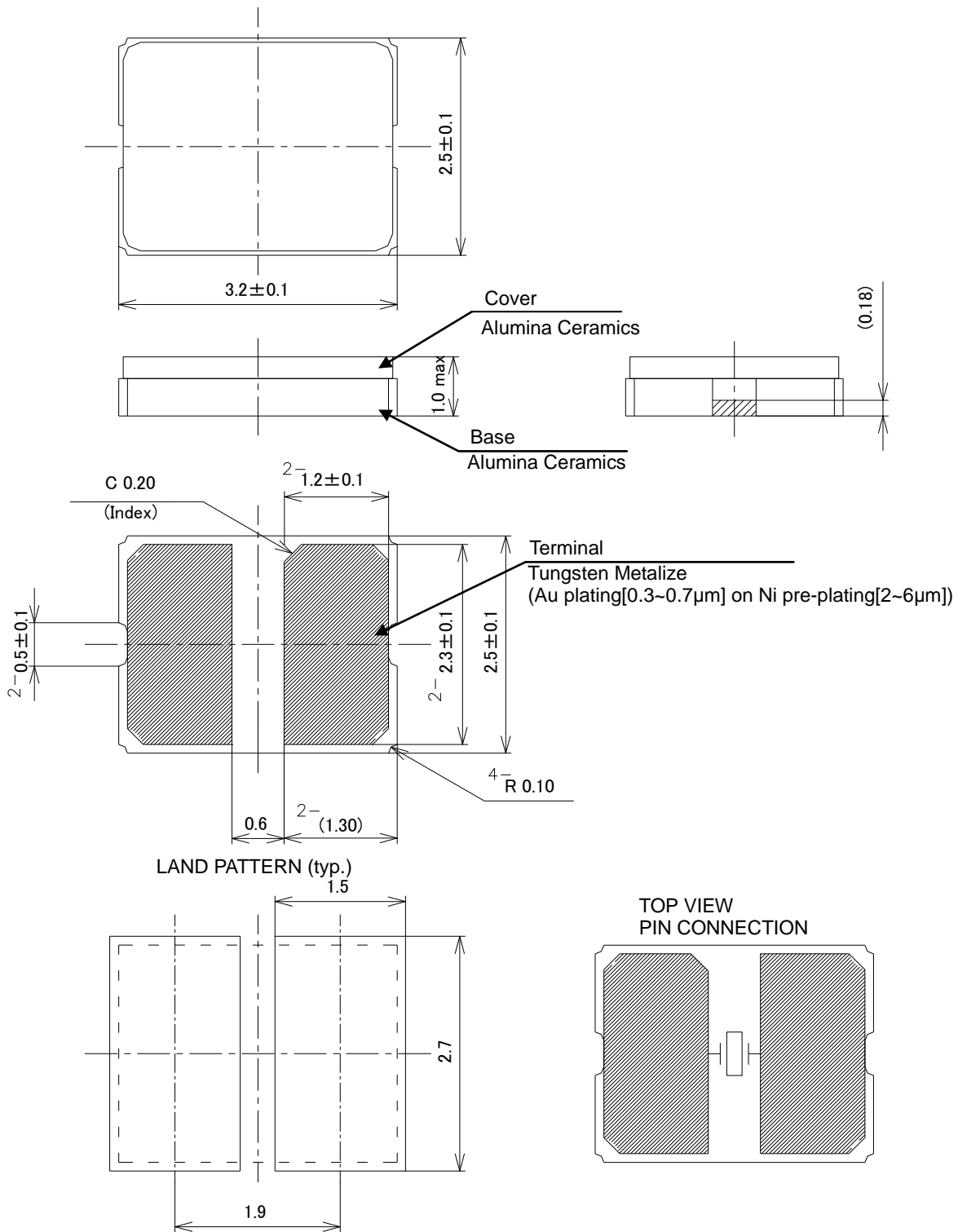
Preheating: 150°C to 180°C, 120 sec

Reflow passage times: twice

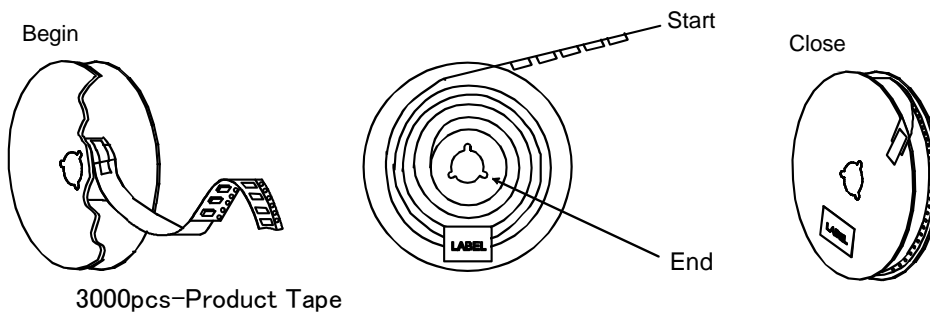
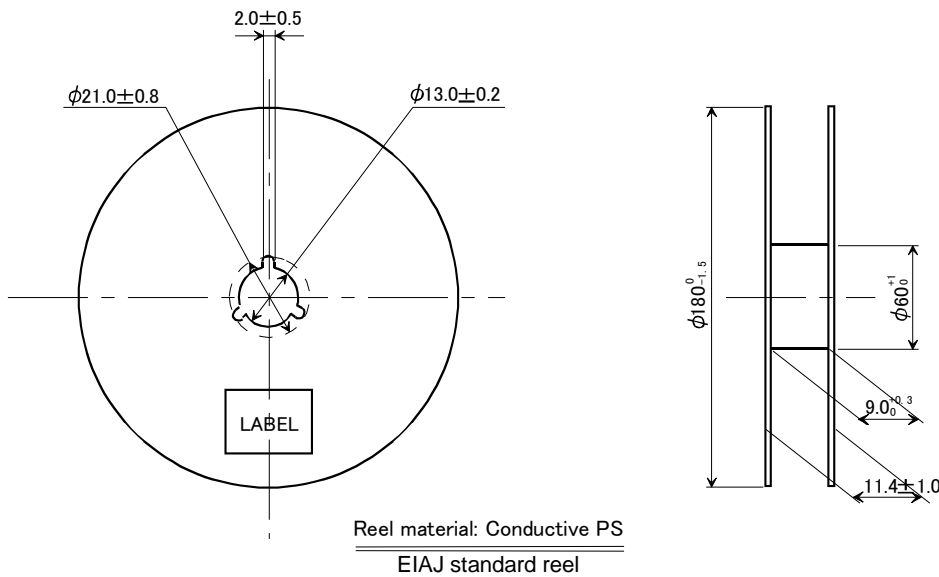
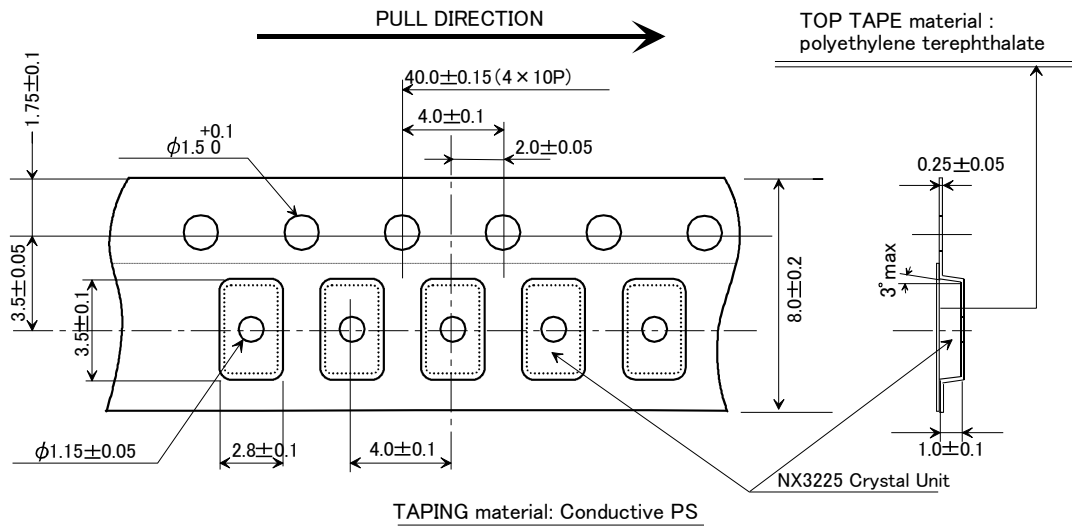
### (2) Manual soldering heat resistance

Pressing a soldering iron of 400°C on the terminal electrode for four seconds (twice).

When using a soldering iron, press its tip on the part below the sealed part, avoiding the glass-sealed part (otherwise, the glass will melt and air-tightness may be lost)

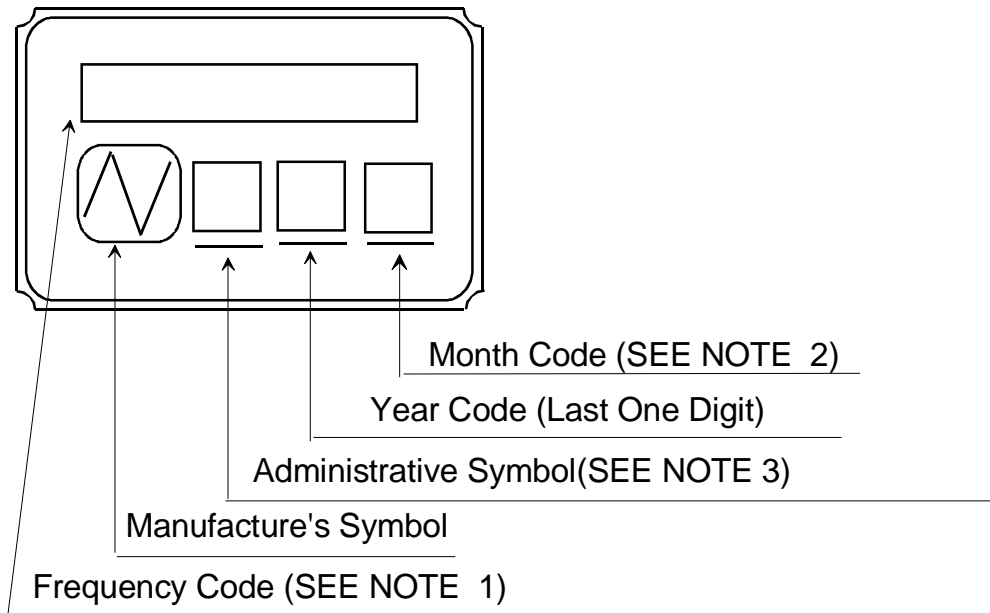


	Date of Revise	Charge	Approved	Reason
B	8.Jan.2013	N.Yamamoto	M.Kubota	Add plating thickness
	Date	Name	Third Angle Projection	Tolerance
Drawn	13.May.2010	R.Shariman	Dimension:mm	---
Designed	13.May.2010	R.Shariman	Title	Drawing No.
Checked	13.May.2010	K.Komada		
Approved	13.May.2010	K.Ueki	<b>NX3225GD Dimension Drawing</b>	<b>EXD14B-00474</b>



	Date of Revise	Charge	Approved	Reason		
A	26 Mar. 2013	T. Shimizu	K. Oguri	The appearance of a drawing was corrected.		
Drawn	Date	Name	Third Angle Projection	Tolerance		
30.Jun.2006	H.Yagishita	Dimension:mm	---	Scale		
Designed	30.Jun.2006	H.Yagishita	Title	Drawing No.		
Checked	30.Jun.2006	K.Kubota			EXK17B-00247	Rev.
Approved	30.Jun.2006	T.Ishii				B
			NX3225 Series Taping and Reel Spec.			

NIHON DEMPA KOGYO CO., LTD.



**NOTE**

**1. Frequency Code**

Marking Frequency is consist of five digits, first five digits of Nominal Frequency

Example

Nominal Frequency	28.636363 MHz
Frequency Code	28.636

**2. Month Code Table**

Month	1 Jan.	2 Feb.	3 Mar.	4 Apr.	5 May.	6 Jun.	7 Jul.	8 Aug.	9 Sep.	10 Oct.	11 Nov.	12 Dec.
Month Code	1	2	3	4	5	6	7	8	9	X	Y	Z

**3. Marking contents**

Example

Administrative symbol	S
-----------------------	---

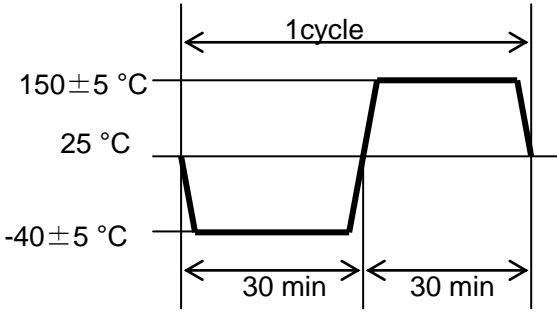
\*Marking digits are not include a decimal point and dot mark.

	Date of Revise	Charge	Approved	Reason		
	Date	Name	Third Angle Projection	Tolerance	Scale	
Drawn	19.May.2008	R.Shariman	Dimension:mm		/	
Designed	19.May.2008	R.Shariman	Title <b>Crystal Holder Marking</b>	Drawing No. <b>EXH11B-00392</b>	Rev.	
Checked	19.May.2008	M.Harada				
Approved	19.May.2008	K.Kubota				

**NIHON DEMPA KOGYO CO., LTD.**

**Reliability assurance item**

(page: 1/2)

No.	Test item	Test methods	Spec. code
1	Drop	Devices are dropped from the height 75 cm onto iron plate. Execution 3 times random drops.	A
2	Shock	Acceleration: 49000 m/s <sup>2</sup> Duration: 0.15 ms Half-Sine pulse 1 Shocks in 6 mutually perpendicular planes, Total 6 shocks	A
3	Vibration	Frequency range: 10 to 2000 Hz Amplitude or Acceleration: 1.52 mm or 196 m/s <sup>2</sup> Sweep time: 20 min Test time: 4 h × 3	A
4	Electrode adherent strength	See remark (1)	B
5	Solderability	Pre-heat temperature : 150 °C Pre-heat Time : 60 ~ 120 s Peak temperature : 240 ± 5 °C 215 °C Over time : 10 ~ 30 s	C
6	Resistance to soldering heat	Pre-heat temperature : 150 °C Pre-heat time : 60 ~ 120 s Test temperature : 260 ± 5 °C Test time : 10 ± 1 s	A,B
7	Resistance to cold	Leave at -40 ± 2 °C for 1000 h	A
8	Resistance to heat	Leave at +150 ± 2 °C for 1000 h	A
9	Humidity	Device are left in temperature at +85 ± 2 °C with relative humidity of 80~85 % for 1000 h	A,D
10	Thermal shock	<p>Device are left into the following temperature cycle as shown in (Figure1) for 1000 consecutive cycle.</p>  <p>(Figure1)</p>	A,B

**Reliability assurance item**

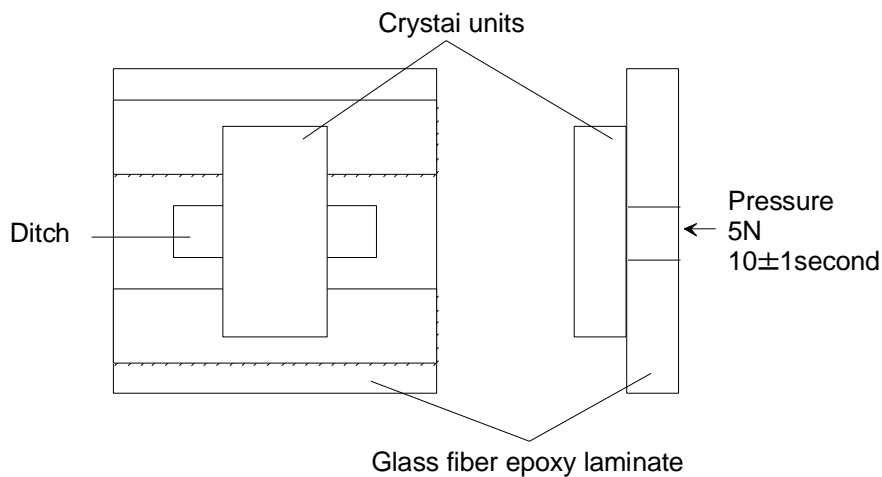
(page: 2/2)

Spec. code	Specification
A	$\Delta f/f \leq \pm 20$ ppm $\Delta Cl/Cl \leq \pm 15$ % or 5 $\Omega$ make use larger value
B	After testing unless cracking of materials view of eyes and unless break of seal.
C	The leads shall acquire a new solder coat cover at 90 % of immersed area.
D	Insulation resistance shall be greater than 500 M $\Omega$

Remark (1) Electrode adherent strength.

1) Test method condition

Using the solder, soldering Iron or reflow soldering bath shall be used for soldering on test fixture (Glass fiber epoxy laminate : Thickness 1.6mm+/-0.2mm) shown below.

2) Specified value

No peel of electrode, no crack, no other abnormality

## Recommendation reflow condition

### 1.IR reflow condition

