

SPECIFICATION

Customer: _____

Item:	CRYSTAL UNIT
Type:	NX2520SA
Nominal Frequency:	16.384 MHz
Customer's Spec. No.:	---
	NX2520SA-16.384MHZ
NDK Spec. No.:	S1-4085-1807-8

Receipt

Charge:

Sales		
Engineer		

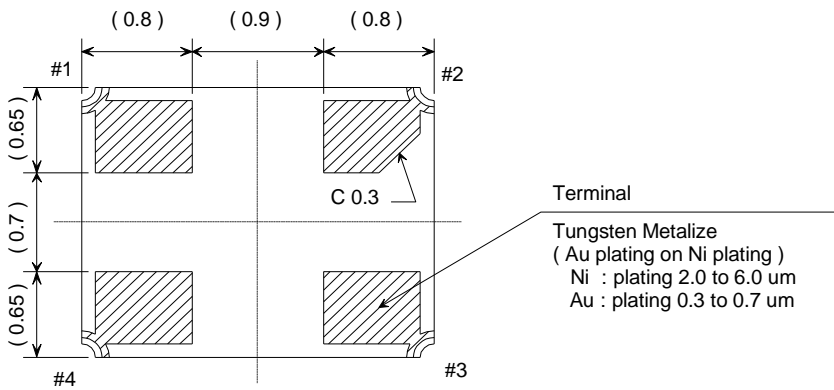
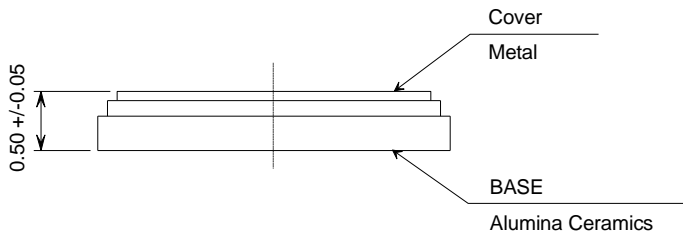
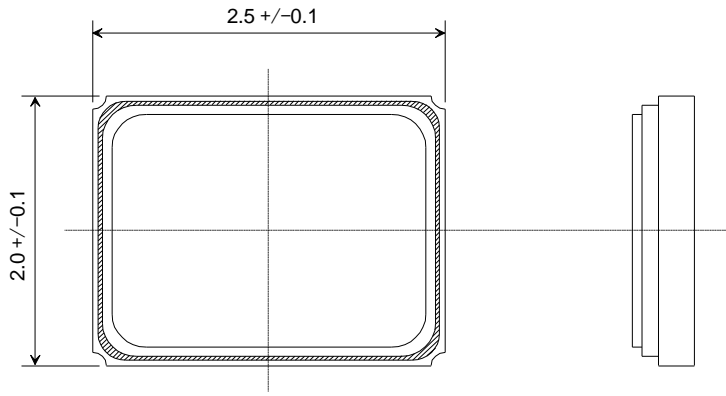
Approved _____

Checked _____

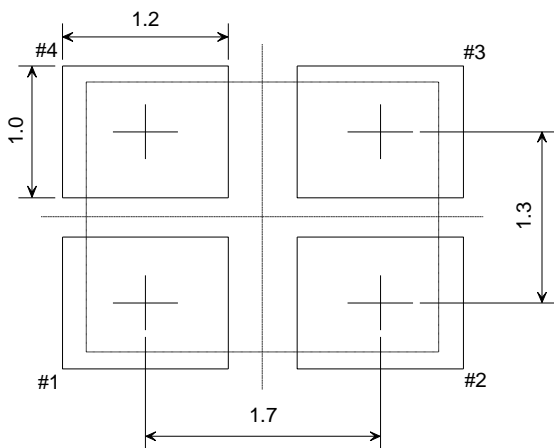
Drawn _____

Revision Record				
Rev.	Rev. Date	Items	Contents	Remarks
---			---	---

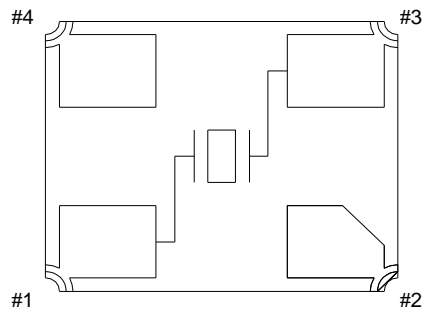
1. Customer specifications number	: ---
2. NDK specification number	: S1-4085-1807-8
3. Type	: NX2520SA
4. Electrical characteristics	
4.1. Nominal frequency (F_0)	: 16.384 MHz
4.2. Overtone order	: Fundamental
4.3. Adjustment Tolerance	: $\pm 7 \times 10^{-6}$ Max. (at + 25 °C)
4.4. Frequency stability over temperature	: $\pm 18 \times 10^{-6}$ Max. (at - 40 to + 85 °C) The reference temp. shall be +25 °C
4.5. Equivalent resistance (R_1)	: 100 Ω Max.
4.6 Shunt capacitance (C_0)	: 3.0pF Max
4.7 Insulation resistance	: Terminal to terminal insulation resistance also terminal to cover insulation resistance must be 500M Ω (min) when DC100V ± 15 V is applied.
4.8 Maximum drive level	: 10 μ W (200 μ W Max)
4.9 Aging	: ± 2 ppm (1st Year)
5. Measurement circuit	
5.1. Frequency measurement	
· Measuring instrument	: IEC π -Network
· Load capacitance	: 8 pF
· Level of drive	: 10 μ W
6. Other performances	
6.1. Air-tightness	: Less than 1.1×10^{-9} Pa m ³ /s (Helium leak detector)
6.2. Operating Temperature range	: - 40 to + 85 °C
6.3. Storage Temperature range	: - 40 to + 85 °C



[Top view] Land pattern (Typical)



Top view
PIN Connection



Terminal #1 and #3 : Xtal
Terminal #2 and #4 : GND (Connection Cover)

