



SPECIFICATION

Customer: ELTECH

Item:	CRYSTAL OSCILLATOR
Type:	NT3225SA
Output frequency:	10MHz
Customer's Spec. No.:	-----
NDK Spec. No.:	NSA0322T

Receipt

Charge:

Sales	NDK-I Paola Bandera	Tel. +39-02-96702920	Approved	M.Kubota
Engineer	Engineering Dept. 3 S.Kawate	Tel. +81-4-2900-6634	Checked	S.Kawate
			Drawn	S.Kawate

Revision Record				
Rev.	Rev. Date	Items	Contents	Remarks
----		Issue		

1. Type
NSA0322T
2. Rating
 - 2.1 Output frequency
10MHz (2 digits marking)
 - 2.2 Supply voltage
+3.0V DC (-Earth)
 - 2.3 Current consumption
1.5mA max.
 - 2.4 Output voltage
0.8Vp-p min. Clipped sine wave (DC-Coupling)
 - 2.5 Operating temp. range
-30 to +75°C
 - 2.6 Storage temp. range
-40 to +85°C
 - 2.7 Load
10kΩ//10pF
 - 2.8 DC-cut capacitor
DC-cut capacitor of output is not put in VC-TCXO.
Please add DC-cut capacitor (1000pF) in output line.
3. Electrical specification
 - 3.1 Frequency stability
 - 3.1.1 Temp. variation
+/-2.5ppm max. / -30 to +75°C
(Based on frequency at +25+/-2°C)
 - 3.1.2 Supply variation
+/-0.3ppm max. / +3.0V +/-5%
 - 3.1.3 Load variation
+/-0.2ppm max. / (10kΩ//10pF)+/-10%
 - 3.1.4 Frequency tolerance
+/-1.5ppm max. (at +25+/-2°C, before reflow soldering, based on nominal frequency)
 - 3.1.5 Aging
+/-1.0ppm max. / year
4. Reflow soldering
After the reflow soldering, frequency deviation shall meet within +/-1.0ppm max.
Based on frequency before the reflow soldering.
Conditions of temperature profile (Refer to Fig.1)
Soldering peak temp. +260°C
5. Marking
 - (1) Abbreviation of manufacturer (N mark)
 - (2) Lot No.
 - (3) 3H(Type identification number)
 - (4) Output frequency (MHz)
 - (5) Trace code
6. Inspection parameters
Para 2.1, 2.3, 2.4, 3.1.1, 5, 9.2 are inspected.
The other parameters are guaranteed to be within specified characteristics by NDK design.
Inspection data is not submitted for mass production lot. But only if requested, a copy of first lot production data will be submitted.

7. Precaution in the storage

Please keep the oscillator under below condition.

Temperature	+5°C to +45°C
Humidity	10% to 75% RH
Period	1year max

(table)

8. Frequency establishment condition

When output frequency is set, we suppose to have the ground pattern under the oscillator.

9. Application drawing

9.1 Reliability assurance item

ETS30B-00152

9.2 Dimension of External

ETD14B-001098A

9.3 Packing

ETK17B-00201B

9.4 Land pattern

ETD15B-00010

10. Notice

10.1 Order items are manufactured according to specification. As to conditions, which are not indicated in this specification and unpredictable such as applied condition and oscillation margin, please check them beforehand.

10.2 Unless we receive request for modification within 3 weeks from the issue date of this NDK specification sheet, we will supply products according to this specification. Also, if you'd like to modify specification of order, which has been placed with delivery request within 3 weeks from the issue data of this specification sheet, we would like to discuss with you separately.

10.3 In no event shall the company be liable for any product failure resulting from an inappropriate handling or operation of the product beyond the scope of its guarantee.

10.4 Where any change to the process condition is made due to the change(s) in the production line, inform personnel of the specifications.

10.5 Should this specification data give rise to any disputes relating to any intellectual property rights or any other rights of a third person, the company shall not indemnify anyone for any damage.

Their disclosure must not be construed as the grant of a license to use any of the intellectual property rights owned by the company.

10.6 If you intend to use products listed on this specification for applications that may result in loss of life or assets (controls relating to safety, medical equipment, aeronautical equipment, space equipment, etc.), please do not fail to advise us of your intention beforehand.

10.7 In the company's production process whatever amount of ozone depleting substances (ODS) as specified in the Montreal protocol is not used.

10.8 Information contained in this specification must not be quoted, reproduced or used for other purposes including processing either in part or in full without obtaining prior approval from the company.

11. Prohibited items

Be sure to use the product under the following conditions. Otherwise, the characteristics deterioration or destruction of the product may result.

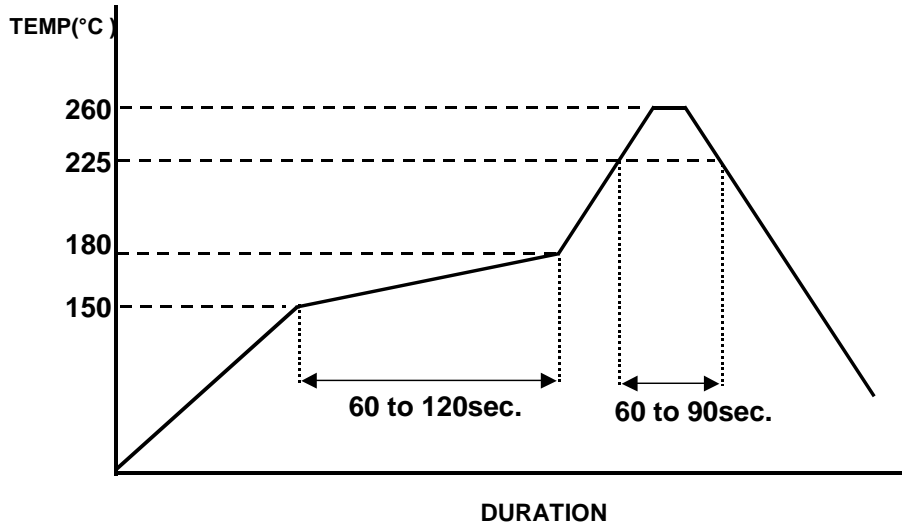
(1) Reflow soldering heat resistance

Peak temperature: +265°C

Heating: +225°C or higher, 90 sec

(2) Manual soldering heat resistance

Pressing a soldering iron of +410°C on the terminal electrode for five seconds.



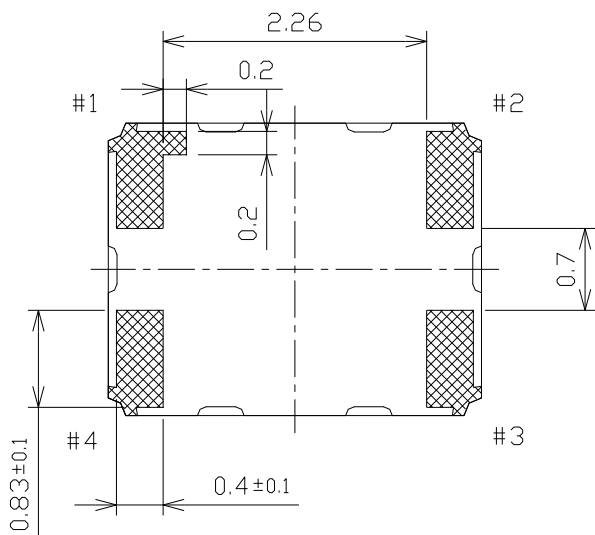
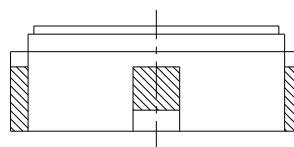
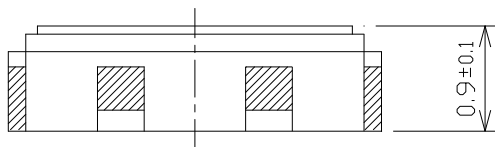
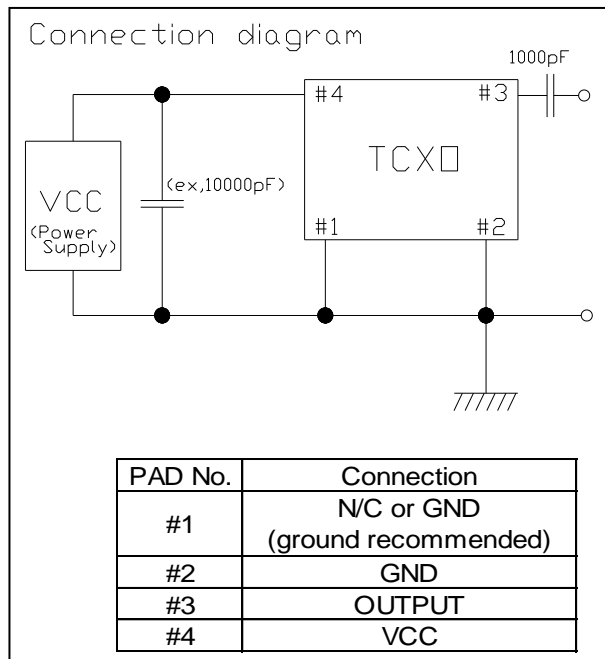
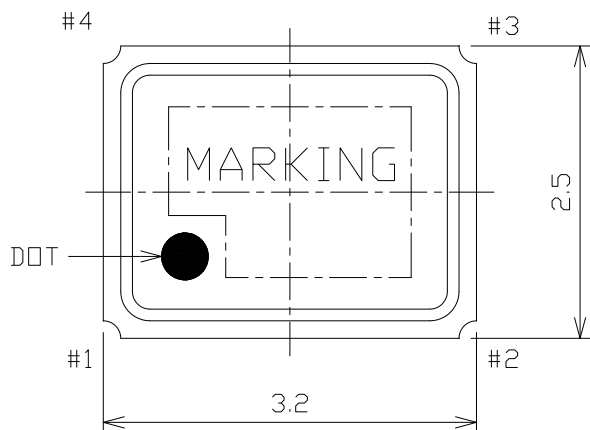
(Fig.1)

Reliability assurance item

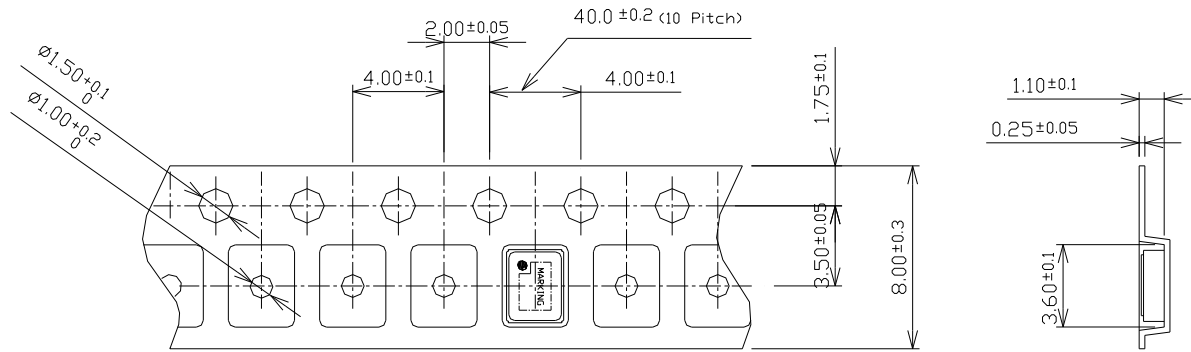
(page: 1/1)

No.	Test Item	Test Methods	Specification Code
1	Vibration	5 to 26Hz: 1.52mm (total amplitude) 26 to 500Hz: 19.6m/s ² 20 minutes per 1 cycle. 2 hours for each 3 planes.	A
2	Shock	Half sine wave 6ms, 980 m/s ² . 3 times for each 3 planes.	A
3	Drop Test	1 drop onto hard wood board from 75cm height in each 3 planes.	A
4	Humidity	+60°C, 95% RH for 48H. And normal temperature, with normal humidity for 24H.	A

Specification code	Specification
A	After the test, shall meet electrical specification.



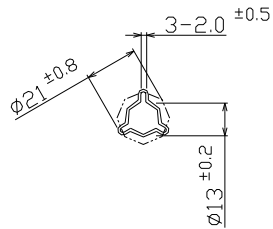
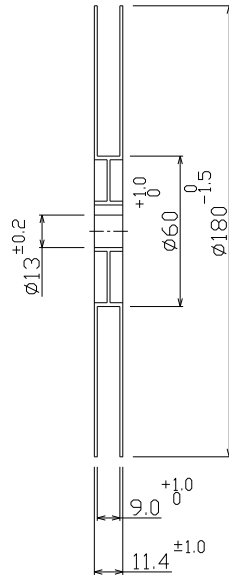
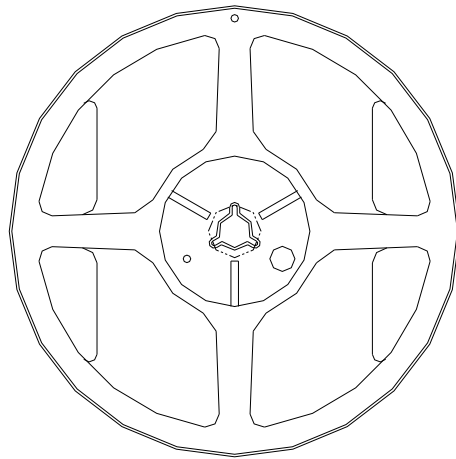
	Date of Revise	Charge	Approved	Reason	
A	10.Mar.2008	K.Moriya	T.Yamakawa	Change of format.	
	Date	Name	Third Angle Projection	Tolerance	Scale
Drawn	3.Mar.2008	K.Yamaki	Dimension:mm	+/-0.2	15/1
Designed	3.Mar.2008	K.Yamaki	Title	Drawing No.	Rev.
Checked	3.Mar.2008	K. Moriya			
Approved	3.Mar.2008	T. Yamakawa			
			Dimension of External	ETD14B-01098	A



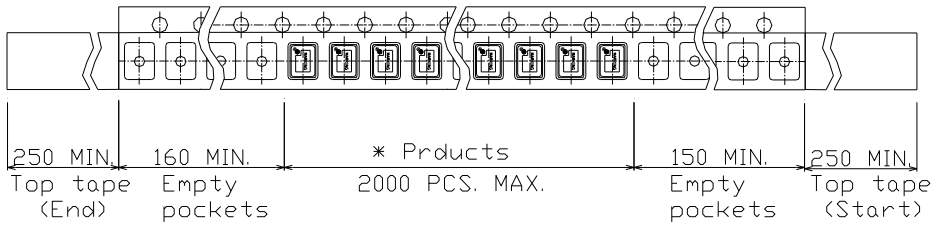
	Embossed carrier tape	Top cover tape
Materials	PS	PET + PE + Adhesive layer
Disposition	Antistatic	Antistatic

	Date of Revise	Charge	Approved	Reason	
B					
	Date	Name	Third Angle Projection	Tolerance	Scale
Drawn	5.Jun.2006	K. Moriya	Dimension:mm	-----	-----
Designed	5.Jun.2006	K. Moriya	Title	Drawing No.	Rev.
Checked	5.Jun.2006	K. Moriya			
Approved	5.Jun.2006	H. Mizumura			
			Packing	ETK17B-00201 (1/3)	B

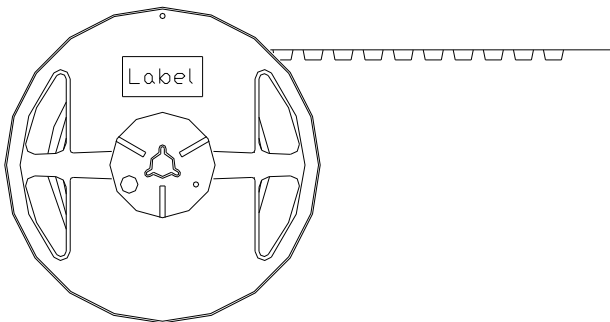
NIHON DEMPA KOGYO CO., LTD.



Materials : PS
Disposition : Antistatic



* There are no vacant pockets for this area.

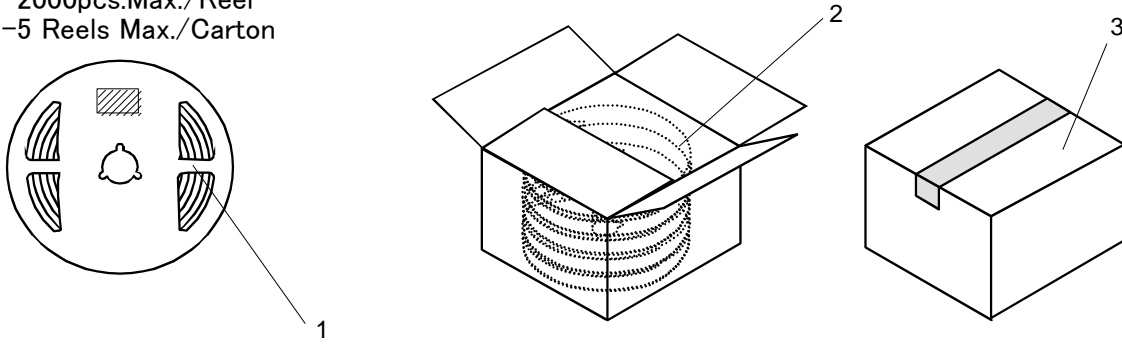


Date of Revise		Charge	Approved	Reason	
B					
	Date	Name	Third Angle Projection	Tolerance	Scale
Drawn	5.Jun.2006	K. Moriya	Dimension:mm	-----	-----
Designed	5.Jun.2006	K. Moriya	Title	Drawing No.	Rev.
Checked	5.Jun.2006	K. Moriya			
Approved	5.Jun.2006	H. Mizumura			
			Packing	ETK17B-00201 (2/3)	B

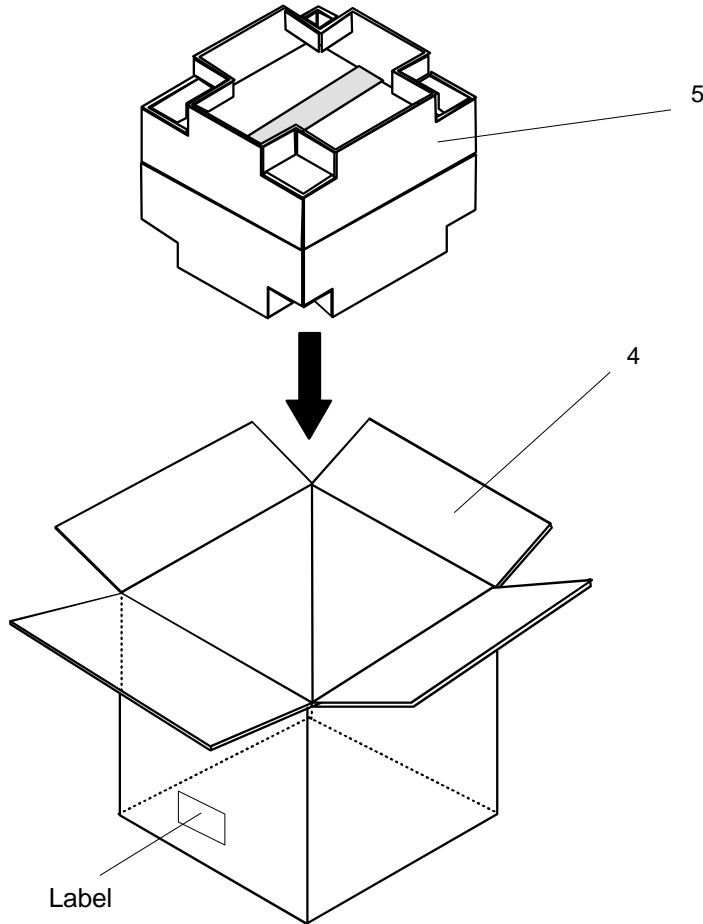
NIHON DEMPA KOGYO CO., LTD.

<Inner packing>

- 2000pcs.Max./Reel
- 5 Reels Max./Carton



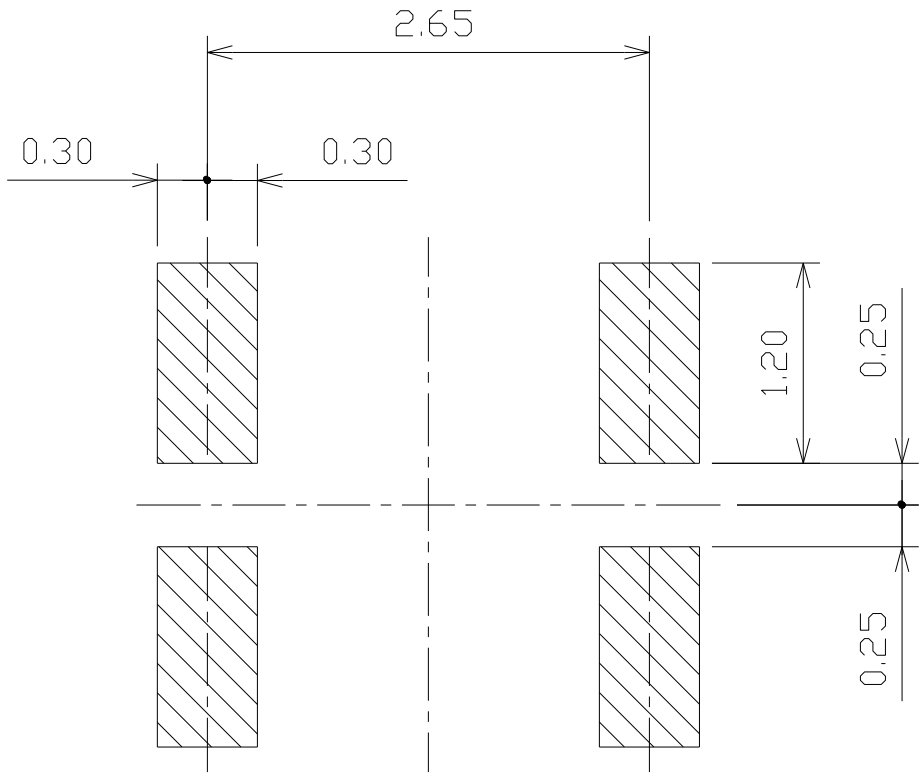
<Outer packing>



No	Item	Materials
1	Reel	PS+Carbon(composite)
2	Spacer	Card board
3	Inner packing	Corrugated fiberboard
4	Outer packing	Corrugated fiberboard
5	Corner pad	Corrugated fiberboard

Date of Revise		Charge	Approved	Reason	
B					
	Date	Name	Third Angle Projection	Tolerance	Scale
Drawn	5.Jun.2006	K. Moriya	Dimension:mm	----	----
Designed	5.Jun.2006	K. Moriya	Packing	ETK17B-00201 (3/3)	Rev.
Checked	5.Jun.2006	K. Moriya			B
Approved	5.Jun.2006	H. Mizumura			

NIHON DEMPA KOGYO CO., LTD.



Note) Please reserve a large grand pattern on the PCB where the oscillator is installed.

	Date of Revise	Charge	Approved	Reason	
A					
	Date	Name	Third Angle Projection	Tolerance	Scale
Drawn	4.Sep.2002	M. Fukunaga	Dimension:mm	-----	-----
Designed	-----	-----	Title	Drawing No.	Rev.
Checked	4.Sep.2002	K.Moriya			
Approved	4.Sep.2002	H.Mizumura			
Land pattern			ETD15B-00010		

NIHON DEMPA KOGYO CO., LTD.