



RoHS Compliant
Directive 2011/65/EU

SPECIFICATION

Customer: _____

Item: _____ CRYSTAL OSCILLATOR _____

Type: _____ NT2520SF _____

Nominal frequency: _____ 26 MHz _____

Customer's Spec. No.: _____ ---- _____

NDK Spec. No.: _____ END5522A _____

Receipt

Revision Record						
Rev.	Date	Items	Contents	Approved	Checked	Drawn
----	Jan. 19. 2018	Issue	---	K.Moriya	S.Kawahara	H.Kawabata

1. Type NT2520SF

2. Maximum Rating

	Item	Rating	unit
1	Supply voltage	-0.6 to +4.6	V
2	Storage temp. range	-40 to +85	°C

3. Electrical specification

	Parameters	Electrical Spec.				Notes
		Min.	Typ.	Max.	Units	
1	Nominal frequency		26		MHz	
2	Supply voltage (Vcc)	+1.7	+3.3	+3.5	V	(-Earth)
3	Current consumption			1.5	mA	
4	Output voltage	0.8			Vp-p	Clipped sine wave (DC-Coupling)
5	Operating temp. range	-40		+85	°C	
6	Load impedance (resistance part)	9	10	11	kΩ	
7	Load impedance (parallel capacitance)	9	10	11	pF	
8	DC-cut capacitor					DC-cut capacitor of output is not put in TCXO. Please add DC-cut capacitor (1000 pF) in output line.
9	Frequency stability					
	1. Frequency /Temperature characteristics	-0.5		+0.5	ppm	-30 to +85 °C
		-1.5		+1.5	ppm	-40 to -30 °C
	Based on frequency at +25+/-2 °C					
	2. Frequency/Voltage coefficient	-0.2		+0.2	ppm	+3.3 V +/-5 %
	3. Frequency/Load coefficient	-0.2		+0.2	ppm	(10 kΩ//10 pF) +/-10 %
4. Frequency tolerance	-1.5		+1.5	ppm	+25+/-2 °C, After 2 times reflow soldering, based on nominal frequency	
5. Long-term frequency stability	-1.0		+1.0	ppm	year(at +25+/-2 °C)	
10	Start-up time			2.0	ms	More than 90 % of final output voltage
11	Phase noise			-116	dBc/Hz	@100 Hz offset
				-138	dBc/Hz	@1k Hz offset
				-151	dBc/Hz	@10k Hz offset
				-154	dBc/Hz	@100k Hz offset
		at +25+/-2 °C				

4. Reflow soldering

Conditions of temperature profile (Refer to Fig.1)

Soldering peak temp. +260 °C

5. Marking

(1) Manufacture Name(NDK symbol mark)

(2) Trace code

(3) Nominal frequency (MHz)

(4) Lot No.

6. Inspection parameters

Para 3.1, 3.3, 3.4, 3.9.1, 5, 10.2 are inspected.

The other parameters are guaranteed to be within specified characteristics by NDK design.

Inspection data is not submitted for mass production lot. But only if requested, a copy of first lot production data will be submitted.

7. Precaution in the storage

Please keep the oscillator in the ordinary temperature and humidity that are suggested as below table.

	Before taking out of dry bag	After taking out of dry bag
Temperature	+5 °C to +45 °C	+30 °C max.
Humidity	10 % to 75 % RH	70 % max.
Period	6 months	168 hours *

(table)

*It is desirable for the oscillator to be used within 168 hours after taking out of dry bag.

Please pack the oscillator into used dry bag with a desiccant and seal it up by heat sealer etc.

In case the heat sealer is not available, sealing up with cellophane tape or a vinyl tape will do.

8. Frequency establishment condition

When output frequency is set, we suppose to have the ground pattern under the oscillator.

9. Washing

Not available for washing.

10. Application drawing

10.1 Reliability assurance item

ETS30B-00399

10.2 Dimension of External

ETD14B-01865

10.3 Packing

ETK17B-00461

10.4 Land pattern

ETD15B-00022A

10.5 Marking

ETH11B-00441D

11. Notice

11.1 Order items are manufactured according to specification. As to conditions, which are not indicated in this specification and unpredictable such as applied condition and oscillation margin, please check them beforehand.

11.2 Unless we receive request for modification within 3 weeks from the issue date of this NDK specification sheet, we will supply products according to this specification. Also, if you'd like to

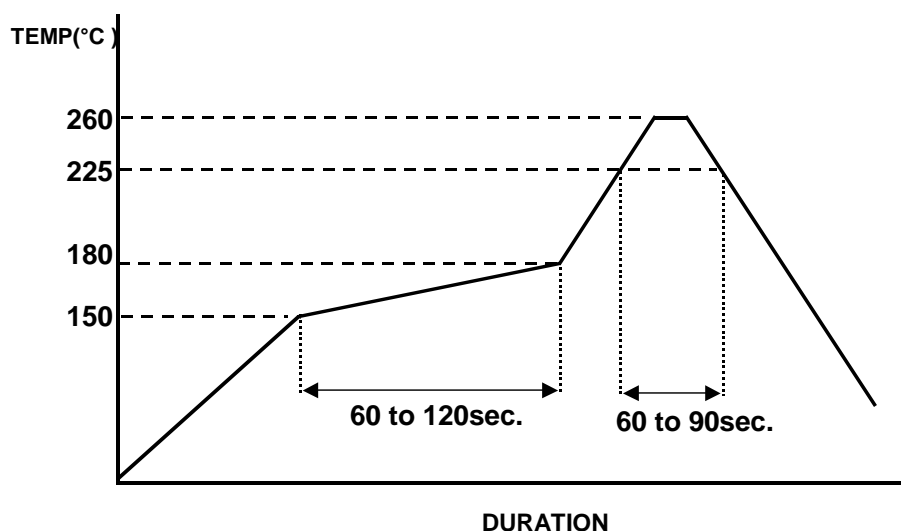
modify specification of order, which has been placed with delivery request within 3 weeks from the issue data of this specification sheet, we would like to discuss with you separately.

- 11.3 Where any change to the process condition is made due to the change(s) in the production line, inform personnel of the specifications.
- 11.4 Should this specification data give rise to any disputes relating to any intellectual property rights or any other rights of a third person, the company shall not indemnify anyone for any damage. Their disclosure must not be construed as the grant of a license to use any of the intellectual property rights owned by the company.
- 11.5 If you intend to use products listed on this specification for applications that may result in loss of life or assets (controls relating to safety, medical equipment, aeronautical equipment, space equipment, etc.), please do not fail to advise us of your intention beforehand.
- 11.6 In the company's production process whatever amount of ozone depleting substances (ODS) as specified in the Montreal protocol is not used.
- 11.7 Information contained in this specification must not be quoted, reproduced or used for other purposes including processing either in part or in full without obtaining prior approval from the company.
- 11.8 In no event shall the company be liable for any product failure resulting from an inappropriate handling or operation of the product beyond the scope of its guarantee.
- 11.9 The appearance color and so on have a different case by purchasing it more than 2 suppliers of the component, but characteristic and reliability are guaranteed.
- 11.10 If you use resin for fixing components during manufacturing, please keep resin from adhering to the oscillator.

12. Prohibited items

Be sure to use the product under the following conditions. Otherwise, the characteristics deterioration or destruction of the product may result.

- (1) Reflow soldering heat resistance
 Peak temperature: +265 °C
 Heating: +225 °C or higher, 90 sec
- (2) Manual soldering heat resistance
 Pressing a soldering iron of +410 °C on the terminal electrode for five seconds.



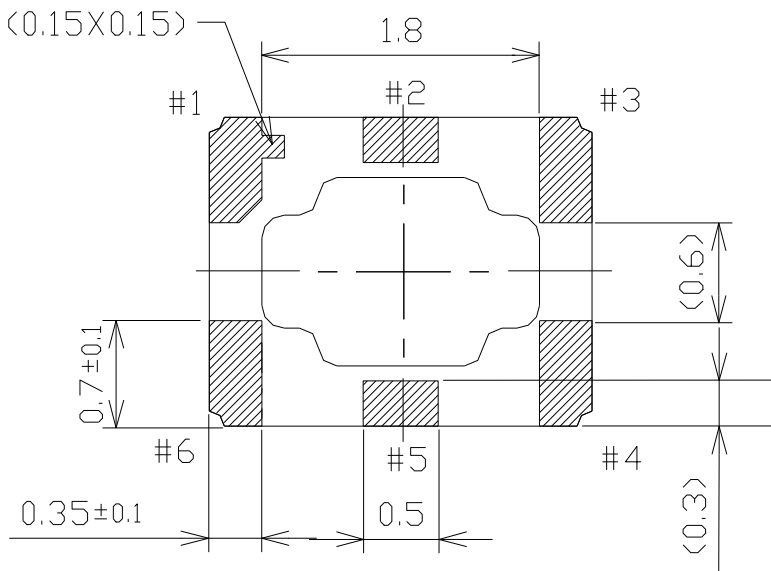
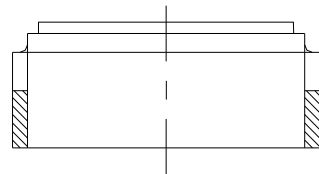
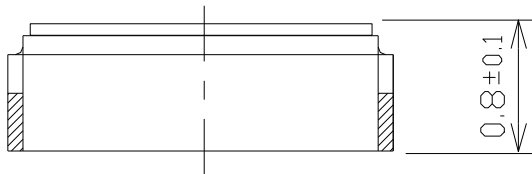
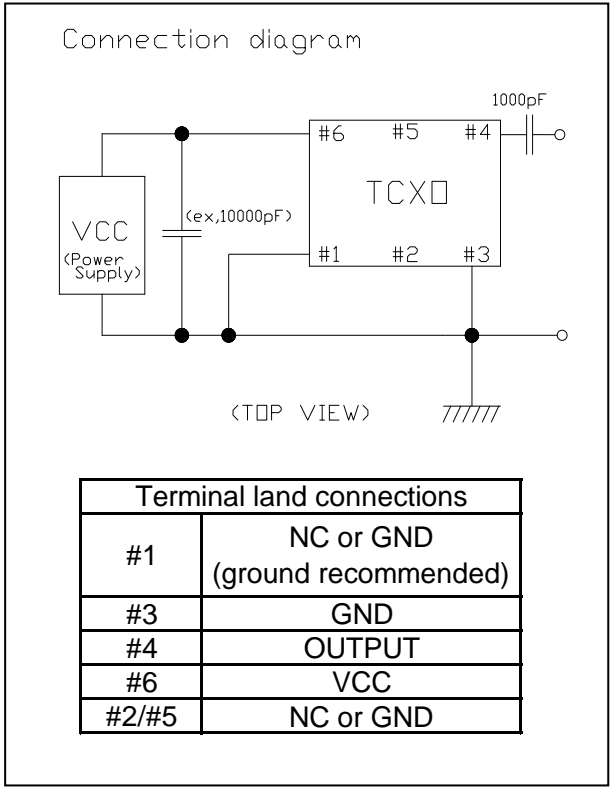
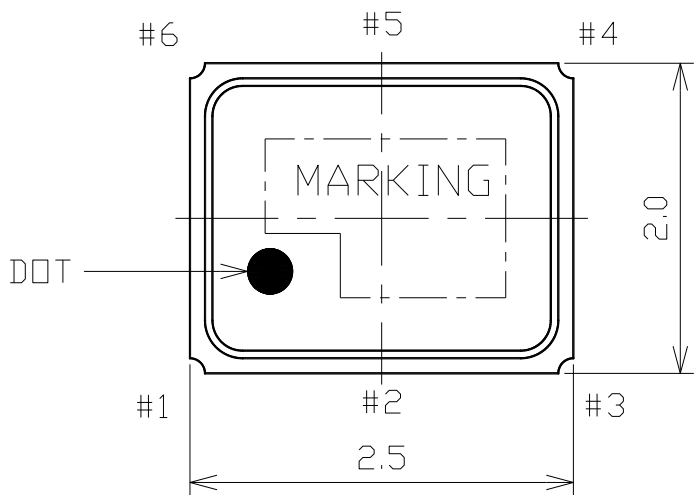
(Fig.1)

Reliability assurance item

(page: 1/1)

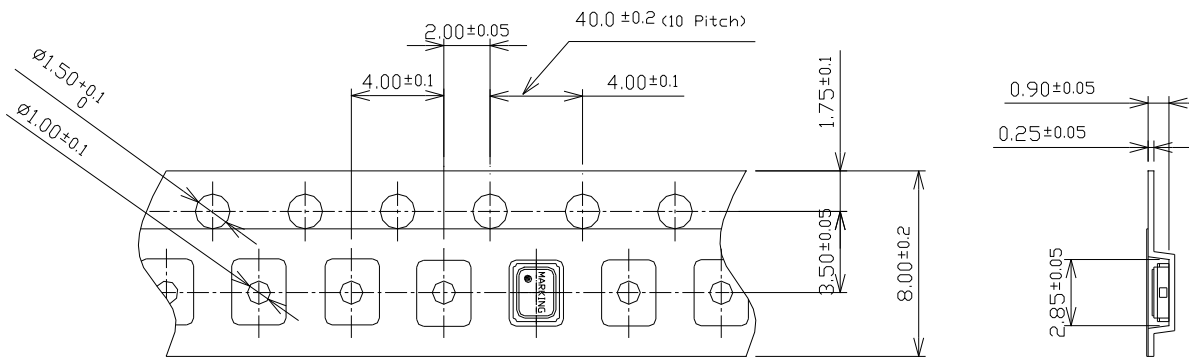
No.	Test Item	Test Methods	Specification Code
1	Vibration	5 to 26Hz: 1.52mm (total amplitude) 26 to 500Hz: 19.6m/s ² 20 minutes per 1 cycle. 2 hours for each 3 planes.	A
2	Shock	Half sine wave 6ms, 980 m/s ² . 3 times for each 3 planes.	A
3	Drop Test	Drop freely on the concrete from the height of 150cm With jig(150g). 3time for each 6 planes.	A
4	Humidity	+60°C, 95% RH for 48H. And normal temperature, with normal humidity for 24H.	A

Specification code	Specification
A	After the test, shall meet electrical specification.



Date of Revise	Charge	Approved	Reason
-			
Drawn	Date: 29.Jun.2015 Name: M.Fukunaga	Third Angle Projection Dimension:mm	Tolerance: +/- 0.2 Scale: 20/1
Designed	29.Jun.2015 M.Fukunaga	Title Dimension of External	Drawing No. ETD14B-01865
Checked	29.Jun.2015 K.Koyama		
Approved	29.Jun.2015 K.Moriya		
			Rev. -

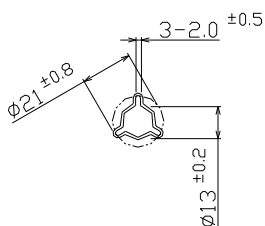
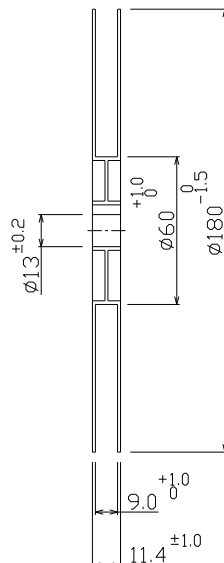
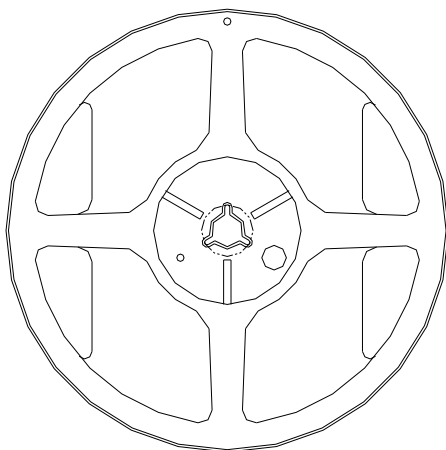
NIHON DEMPA KOGYO CO., LTD.



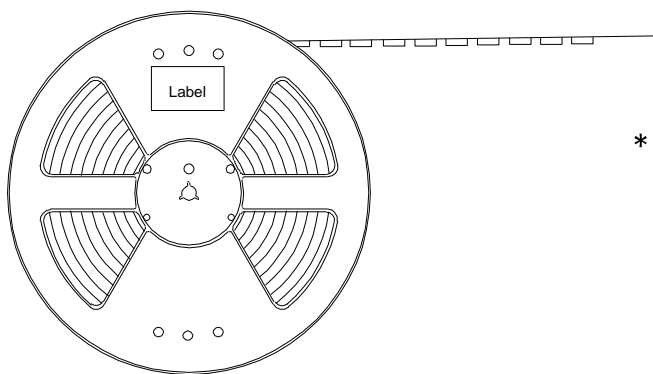
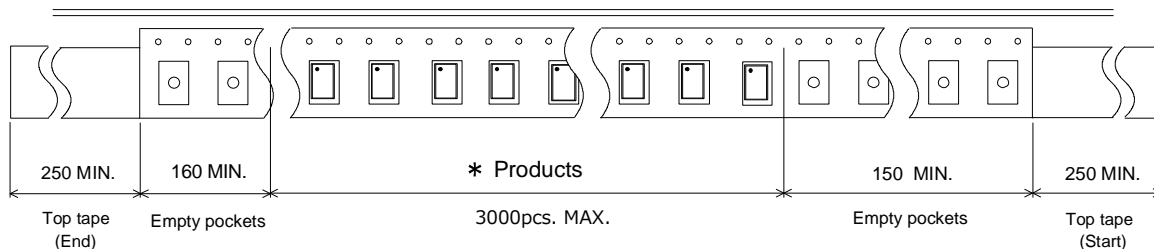
	Embossed carrier tape	Top cover tape
Materials	PS	PET + PE + Adhesive layer
Disposition	Antistatic	Antistatic

	Date of Revise	Charge	Approved	Reason	
	Date	Name	Third Angle Projection	Tolerance	Scale
Drawn	26.Aug.2016	K.Koyama	Dimension:mm	-----	-----
Designed	26.Aug.2016	K.Koyama	Title	Drawing No.	Rev.
Checked	26.Aug.2016	K.Koyama			
Approved	26.Aug.2016	K. Moriya			
			Packing	ETK17B-00461 (1/3)	

NIHON DEMPA KOGYO CO., LTD.



Materials : PS
Disposition : Antistatic

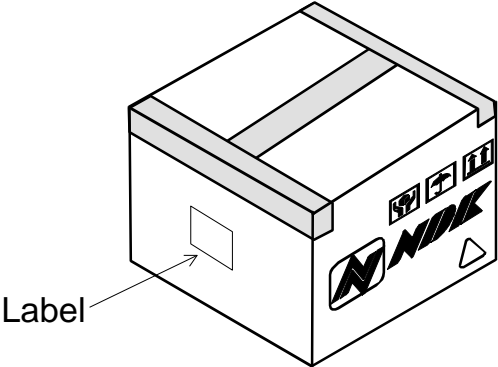
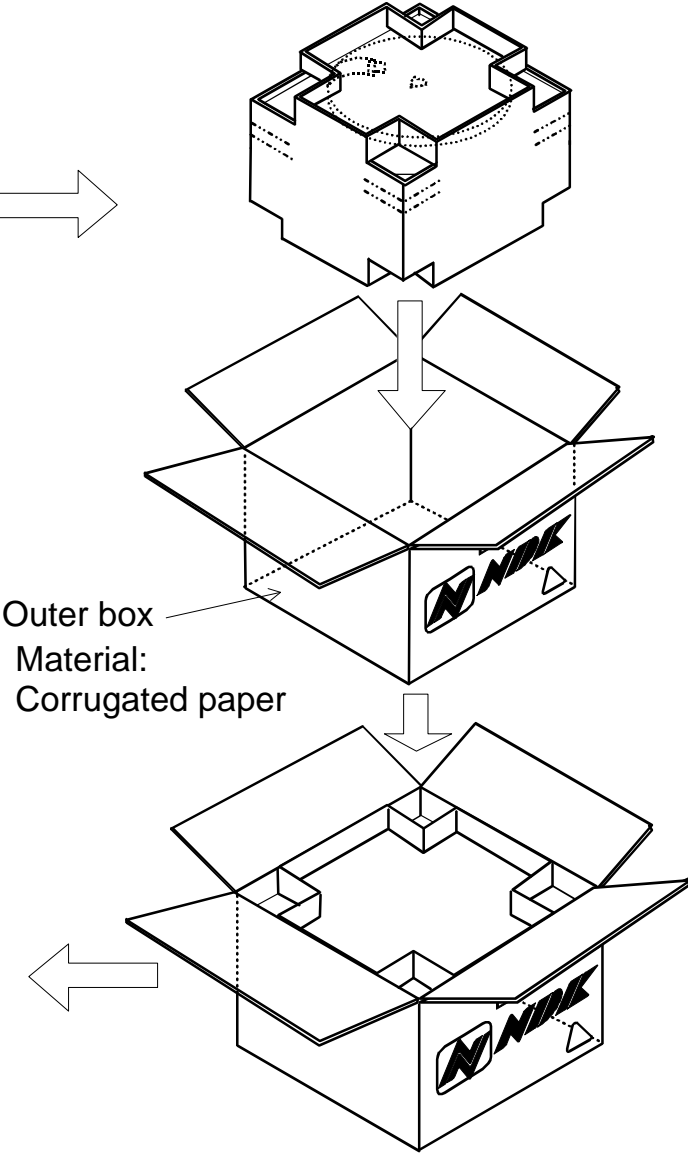
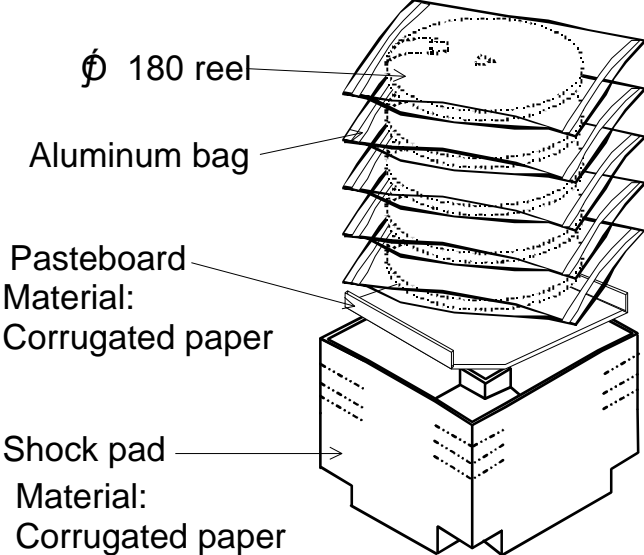


* There are no vacant pockets for this area.

	Date of Revise	Charge	Approved	Reason	
	Date	Name	Third Angle Projection	Tolerance	Scale
Drawn	26.Aug.2016	K.Koyama	Dimension:mm	-----	-----
Designed	26.Aug.2016	K.Koyama	Title	Drawing No.	Rev.
Checked	26.Aug.2016	K.Koyama			
Approved	26.Aug.2016	K. Moriya			
			Packing	ETK17B-00461 (2/3)	

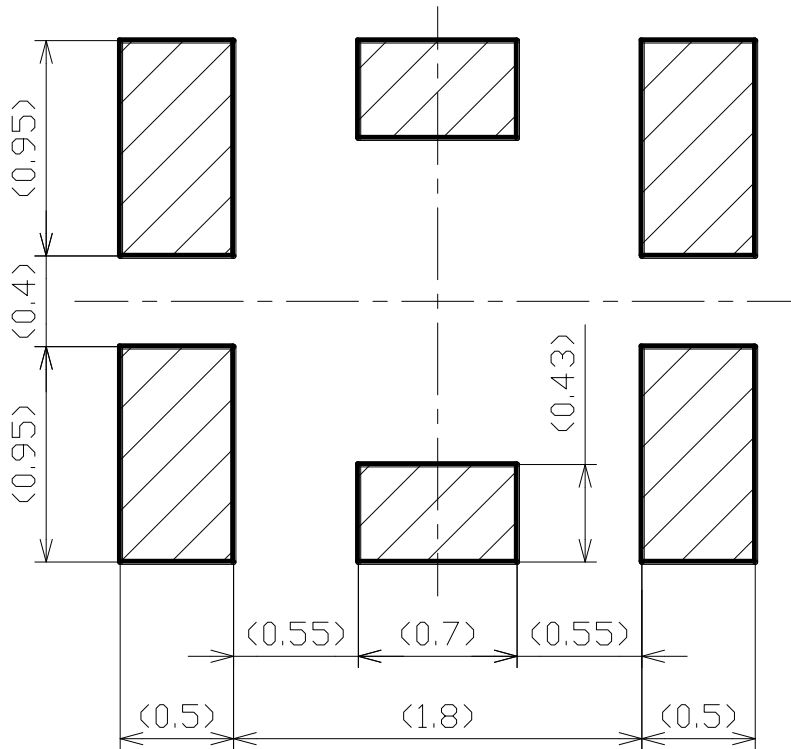
NIHON DEMPA KOGYO CO., LTD.

-3000pcs. Max. / Reel
 -5 Reels Max. / Carton



	Date of Revise	Charge	Approved	Reason	
	Date	Name	Third Angle Projection	Tolerance	Scale
Drawn	26.Aug.2016	K.Koyama	Dimension:mm	----	----
Designed	26.Aug.2016	K.Koyama	Title	Drawing No.	Rev.
Checked	26.Aug.2016	K.Koyama			
Approved	26.Aug.2016	K. Moriya			
			Packing	ETK17B-00461 (3/3)	

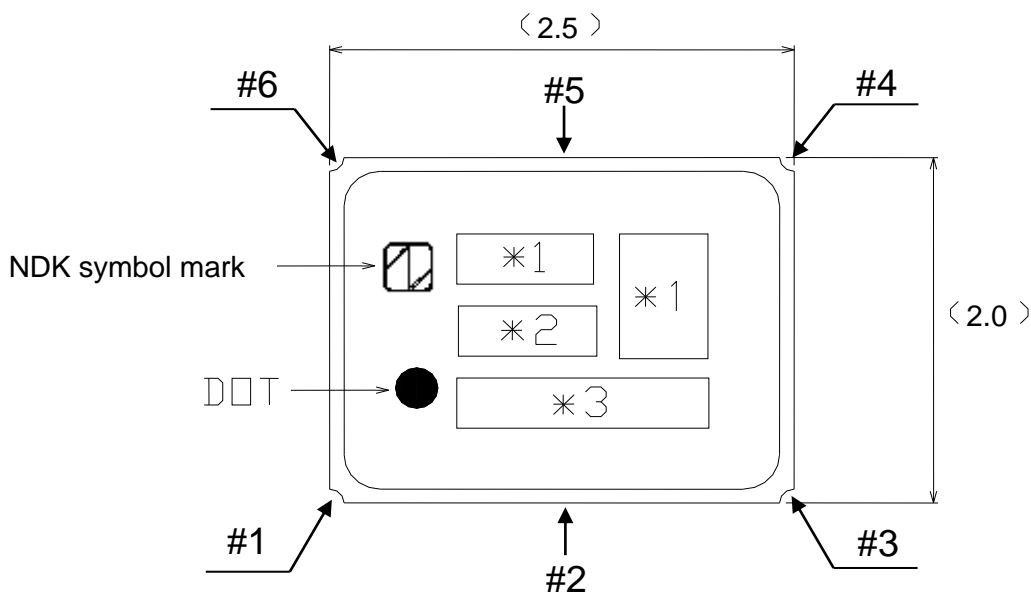
NIHON DEMPA KOGYO CO., LTD.



Note) Please reserve a large ground pattern on the PCB where the oscillator is installed.

	Date of Revise	Charge	Approved	Reason	
A	17. Nov. 2011	A.Fujii	K.Moriya	Note change	
	Date	Name	Third Angle Projection	Tolerance	Scale
Drawn	18.Apr.2007	H.Harima	Dimension:mm	----	30 / 1
Designed	18.Apr.2007	H.Harima	Title	Drawing No.	Rev.
Checked	18.Apr.2007	K.Moriya			
Approved	18.Apr.2007	H.Mizumura			
			Land pattern	ETD15B-00022	A

NIHON DEMPA KOGYO CO., LTD.



Terminal land connections: Please refer to “Dimension of External”.

(Marking Contents)

- *1 Trace code
Trace code indicates production date and production line number.
- *2 Nominal Frequency
- A unit (MHz) is not written.
- A decimal point omits.
(Example : (2digits) 26MHz → 26 , (3digits) 19.2MHz → 192, (4more digits) 16.368MHz → 163)

*3 Lot No.



Year Code (Last one digit)

Month Code (see table)

Month	1	2	3	4	5	6	7	8	9	10	11	12
Month Code	1	2	3	4	5	6	7	8	9	O	N	D

Following No.

Marking Method : Laser Trimming

	Date of Revise	Charge	Approved	Reason	
D	25. May. 2015	Y.Inazawa	K.Moriya	Correction of a font	
	Date	Name	Third Angle Projection	Tolerance	Scale
Drawn	16. Apr. 2013	R.Yoshizaki	Dimension:mm	---	---
Designed	16. Apr. 2013	R.Yoshizaki	Title	Drawing No.	Rev.
Checked	16. Apr. 2013	M.Kashiwamura			
Approved	16. Apr. 2013	K. Moriya			
			Marking	ETH11B-00441	D

NIHON DEMPA KOGYO CO., LTD.