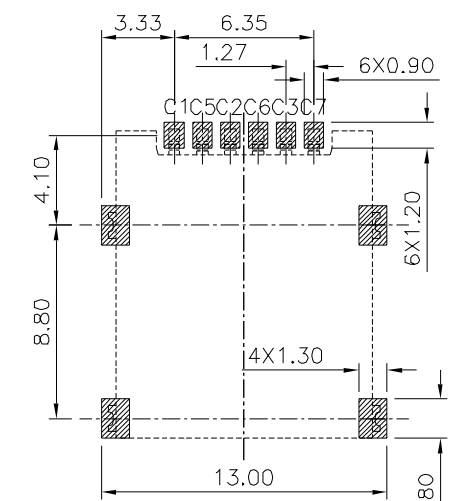
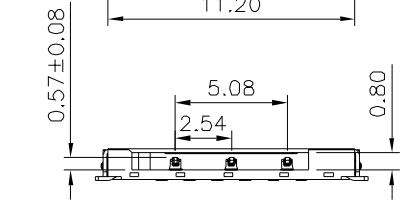
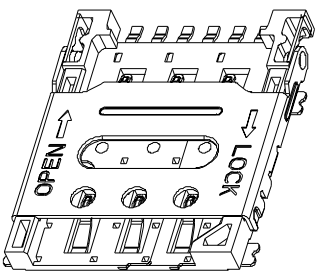


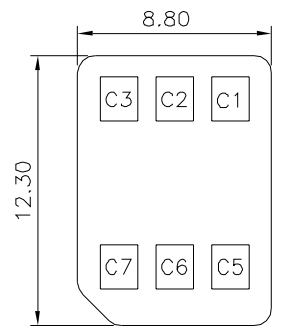
SPECIFICATION

1. **Material&Finish**
 Insulator:LCP(UL94V-0)
 Contact:Phosphor Bronze,Gold Flash On Contact Area And Solder Tails,Over Nickel
 Shell:Stainless Steel,No Plated
2. **Electrical Characteristics**
 Current Rating:0.5A Max.
 Dielectric Withstanding Voltage:500V AC Minute
 Insulation Resistance:1000 Megaohms Min.
 Contact Resistance:30 Milliohms Max.
3. **Mechanical Characteristics**
 Life Cycles:3000 Cycles
4. **RoHS Compliant**



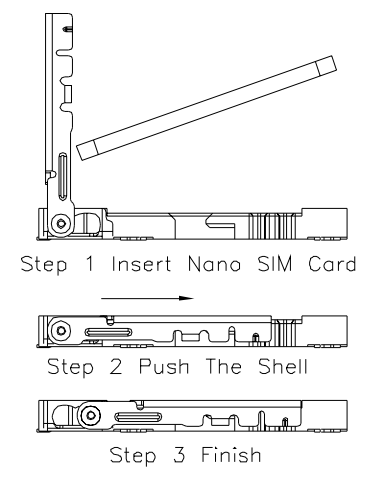
Recommended P.C.B. Layout
(PCB Board Tolerance±0.05)

▨ SMT Solder Area



NNS V 06 14 W 0 1 - R1K5 - H
(1) (2) (3) (4) (5) (6) (7) (8) (9)

- (1) NNS: Nano SIM Connector
- (2) V: Hinged Cover
- (3) 06: No. Of Position
- (4) 14: H=1.45mm
- (5) W: SMT Right Angle
- (6) 0: Standoff 0mm
- (7) 1: Normal Type
- (8) R1K5: Tape & Reel 1500 PCS/Reel
- (9) H: RoHS Compliant



Pin No.	Pin Name
C1	VCC
C2	RST
C3	CLK
C5	GND
C6	VPP
C7	I/O

PROPRIETARY AND CONFIDENTIAL
 THE INFORMATION CONTAINED IN THIS DRAWING IS THE SOLE PROPERTY OF AUK AND SHALL NOT BE DISTRIBUTED, REPRODUCED, OR DISCLOSED IN WHOLE OR IN PART WITHOUT PRIOR WRITTEN PERMISSION OF AUK.

AUK A MEMBER OF AUK GROUP
太聯事業股份有限公司
AUK CONTRACTORS CO., LTD.

CATEGORY		APPROVED BY		UNLESS OTHERWISE SPECIFIED TOLERANCES ARE					
PART No. NNSV0614W01-R1K5-H		MEI		X. ±0.35 X.* ±5*					
DRAWING No. NNSV0614W01-R1K5-H		HZF		.X ±0.30 .X* ±2*					
		CYP		.XX ±0.25 .XX* ±1*					
		A0		.XXX ±0.15 .XXX* ±0.5*					
SCALE	NONE	REV.	A0	UNIT	mm	△ A0	NEW RELEASE	HZF	05/27/2019
						NO. REV.	REVISIONS	CHK	DATE