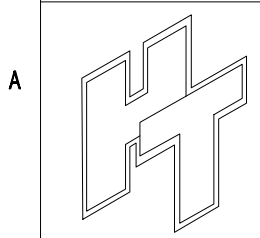
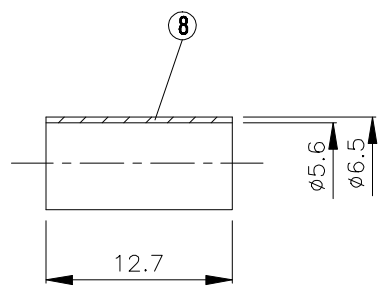
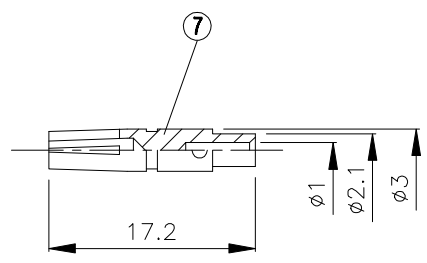
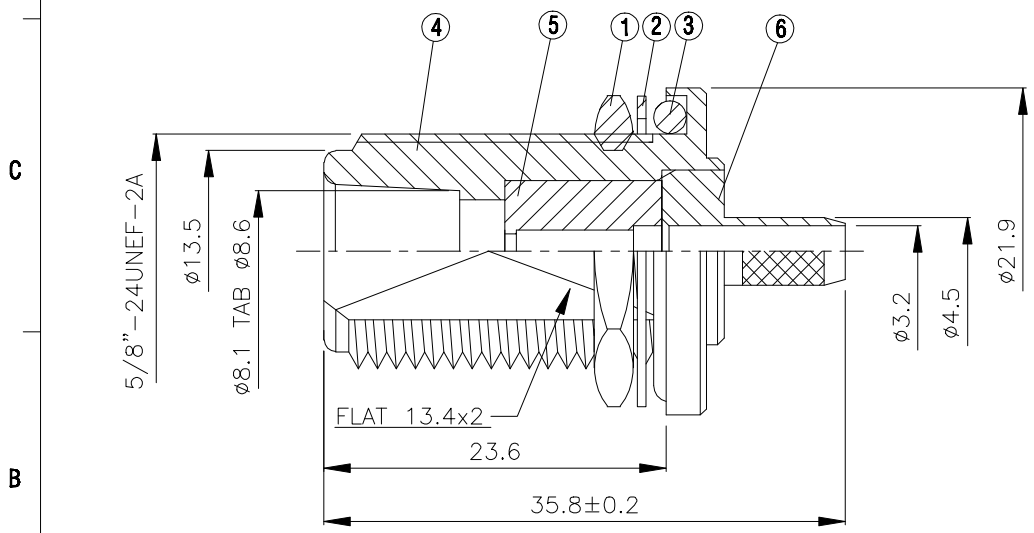
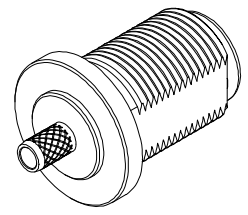
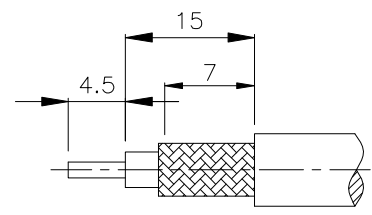


NO	DESCRIPTION	MATERIAL	Q'TY	FINISH	REMARK
1	NUT	BRASS	1	NICKEL	N-0007-N
2	WASHER	BRASS	1	NICKEL	W-0005-N
3	GASKET	SI RUBBER	1	RUBBER	RU-0009
4	BODY	BRASS	1	NICKEL	B-N0049-N
5	INSULATION	TEFLON	1	TEFLON	I-0118-T
6	BODY	BRASS	1	NICKEL	B-N0052-N
7	PIN	BRASS	1	GOLD	P-N0043-G
8	RING	BRASS	1	TEFLON	R-0007-N



HUS-TSAN GROUP CO., LTD.
P.O. BOX 40-76. TAINAN. TAIWAN, R.O.C.
TITLE N FEMALE CRIMP FOR RG58U, 141A/U
PART NO. N-32FV1-TGN
DRAWING NO. N 32FV1 TGN

DRAWN	MARY	DATE	96.05.04
CHECKED	蘇志欣	DATE	
Q.A.	蘇姿潔	DATE	
APPROVAL	徐燦霖	DATE	
REVISION		DATE	

DIMENSIONS ARE IN MILLIMETERS			
UNLESS OTHERWISE SPECIFIED TOLERANCE			
0.5-5=±0.2	120-315=±1		
5-30=±0.4	315-1000=±1.6		
30-120±0.6	1000-2000=±2.4		
SCALE	4:1	SIZE	A

REVISION	
DESCRIPTION	ENGINEER