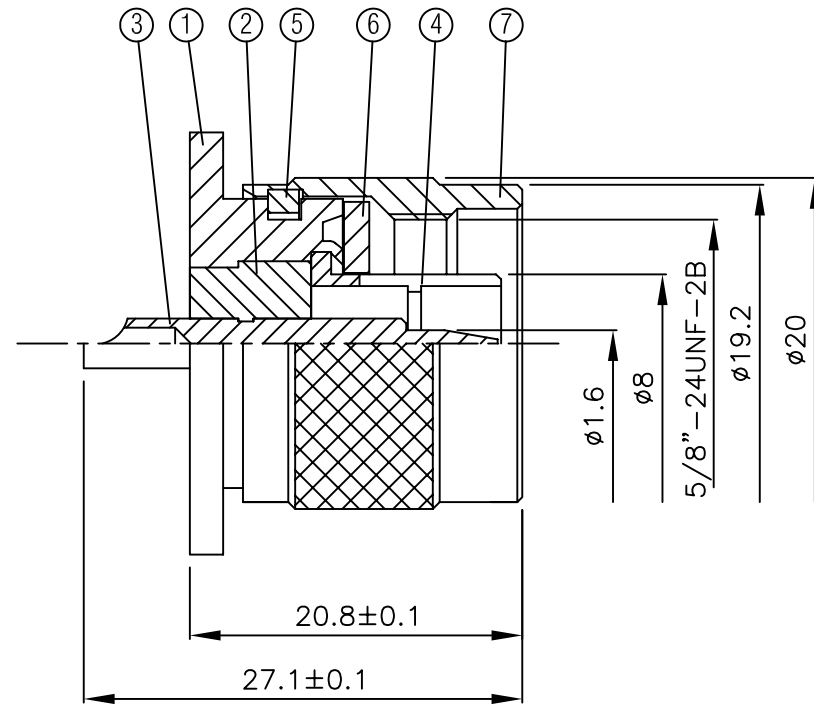
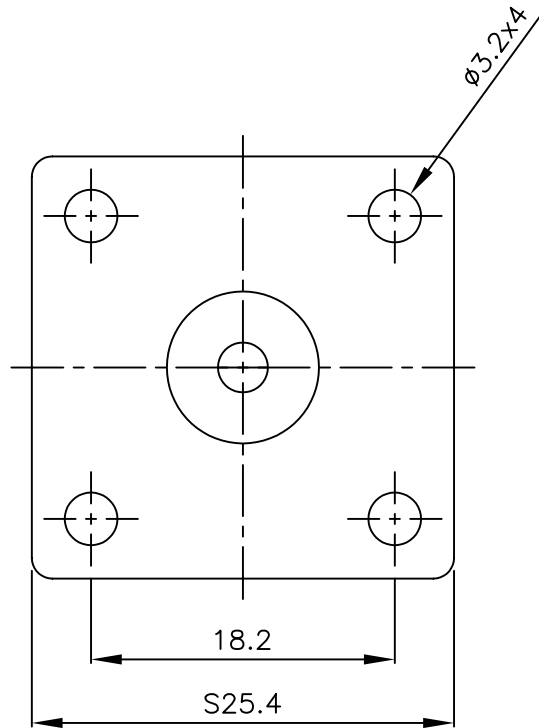
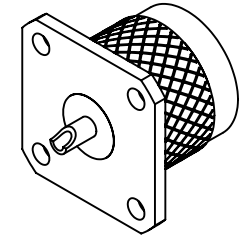


NO	DESCRIPTION	MATERIAL	Q'TY	FINISH	REMARK
1	BODY 1	BRASS	1	NICKEL	B-N0038-N
2	INSULATION	TEFLON	1	TEFLON	I-0105T
3	PIN	BRASS	1	GOLD	P-N0023-G
4	BODY 2	BRASS	1	NICKEL	B-N0033-N
5	WASHER	BRASS	1	NICKEL	W-0014-N
6	GASKET	SI RUBBER	1	GOLD	RU-0007
7	SHELL	BRASS	1	NICKEL	B-N0032-N



	HUS-TSAN GROUP CO., LTD. P.O. BOX 40-76. TAINAN. TAIWAN, R.O.C.		DRAWN MARY DATE 96.06.13	DIMENSIONS ARE IN MILLIMETERS		REVISION	
	TITLE N-MALE PANEL RECEPTACLE		CHECKED 黃巧君 DATE 96.06.13	UNLESS OTHERWISE SPECIFIED TOLERANCE		DESCRIPTION	ENGINEER
	PART NO. N-20-TGN		Q.A. 蘇姿潔 DATE	0.5-5=±0.2	120-315=±1		
	DRAWING NO. N-20-TGN		APPROVAL 徐燦霖 DATE	5-30=±0.4	315-1000=±1.6		
			REVISION DATE	30-120±0.6	1000-2000=±2.4		
			SCALE	4:1	SIZE	A	