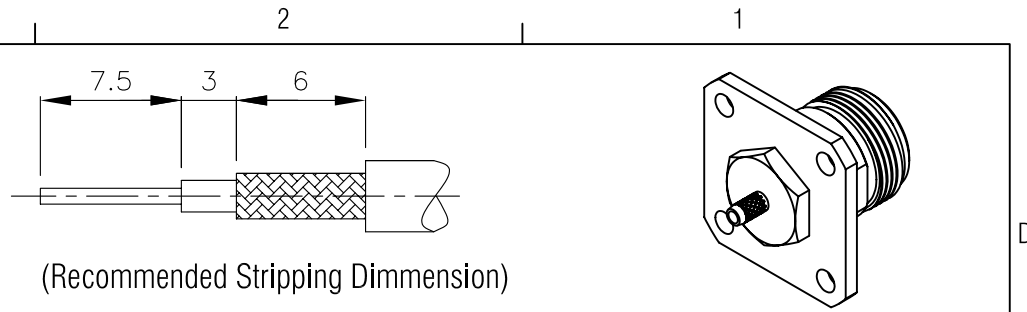
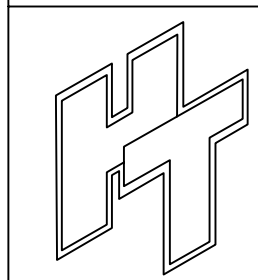
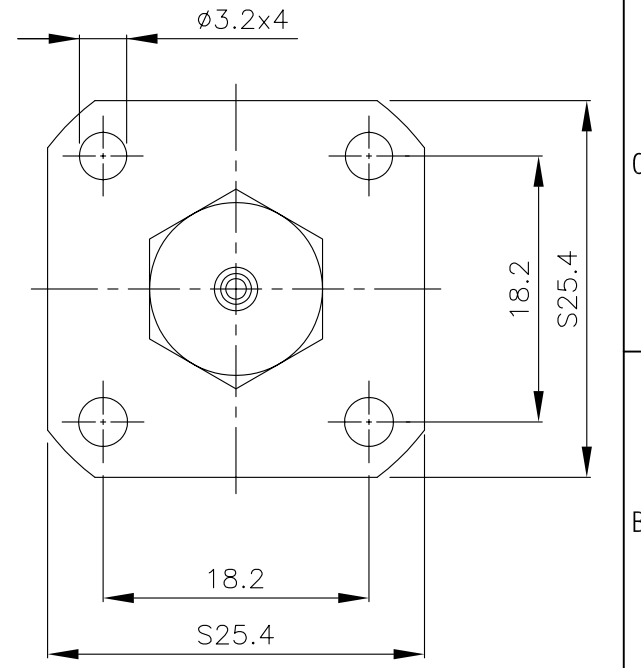
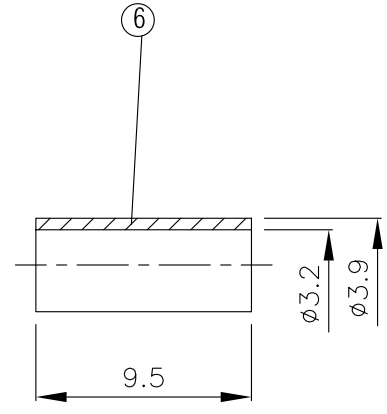
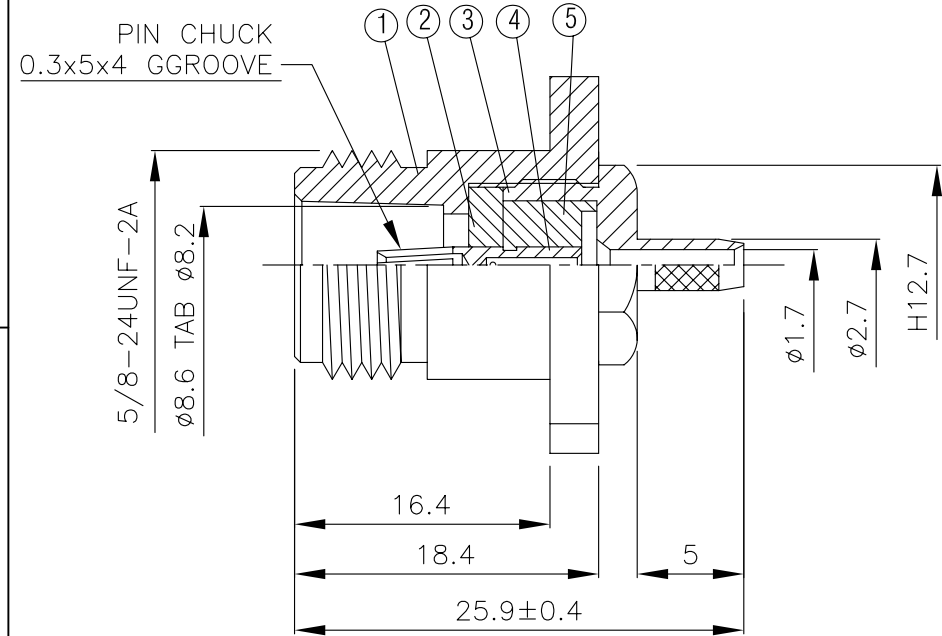


NO	DESCRIPTION	MATERIAL	Q'TY	FINISH	REMARK
1	BODY 1	BRASS	1	NICKEL	B-N0552-N
2	INSULATION 1	TEFLON	1	TEFLON	I-0264T
3	BODY 2	BRASS	1	NICKEL	B-N0053-N
4	PIN	BRASS	1	GOLD	P-N0357-G
5	INSULATION 2	TEFLON	1	TEFLON	I-0120T
6	RING	BRASS	1	NICKEL	R-0002-N



(Recommended Stripping Dimension)



HUS-TSAN GROUP CO., LTD.
P.O.BOX 40-76.TAINAN.TAIWAN,R.O.C.
TITLE N FEMALE CRIMP FOR FOR RG-174/U
PART NO. N-06LV1-TGN
DRAWING NO. N 06LV1 TGN

DRAWN MARY	DATE 96.06.06
CHECKED 蘇志欣	DATE
Q.A. 蘇姿潔	DATE
APPROVAL 徐燦霖	DATE
REVISION	DATE

DIMENSIONS ARE IN MILLIMETERS			
UNLESS OTHERWISE SPECIFIED TOLERANCE			
0.5-5=±0.2	120-315=±1		
5-30= ±0.4	315-1000=±1.6		
30-120±0.6	1000-2000=±2.4		
SCALE 4:1	SIZE A		

REVISION	
DESCRIPTION	ENGINEER