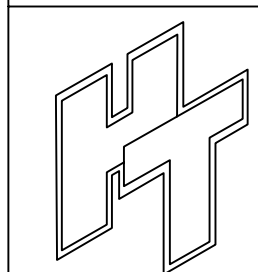
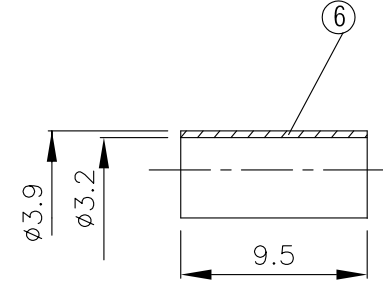
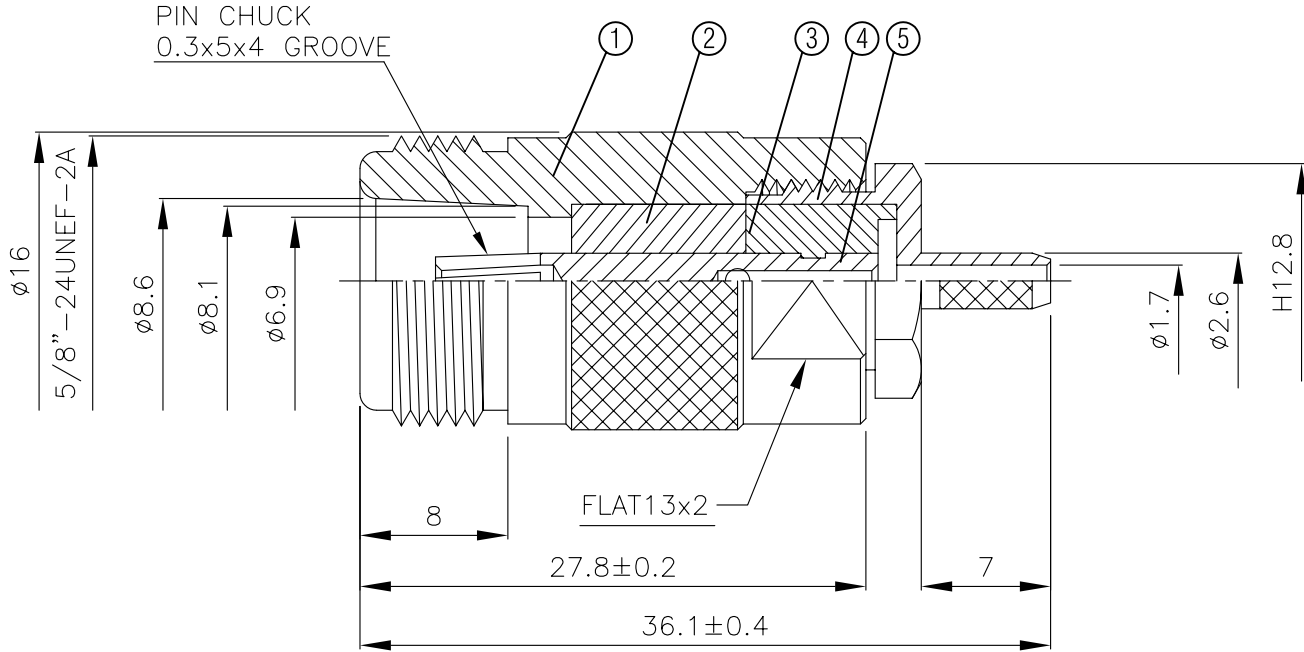
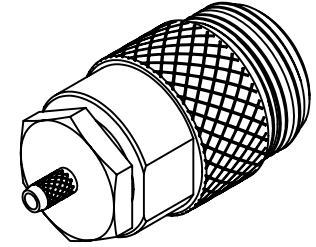
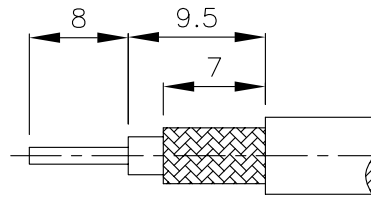


| NO | DESCRIPTION | MATERIAL | Q'TY | FINISH | REMARK |
|----|--------------|----------|------|--------|------------|
| 1 | BODY 1 | BRASS | 1 | NICKEL | B-N0290-N |
| 2 | INSULATION 1 | TEFLON | 1 | TEFLON | I-0121T |
| 3 | INSULATION 2 | TEFLON | 1 | TEFLON | I-0120T |
| 4 | BODY 2 | BRASS | 1 | NICKEL | B-N00053-N |
| 5 | PIN | BRASS | 1 | GOLD | P-N0082-G |
| 6 | RING | BRASS | 1 | NICKEL | R-0002-N |



HUS-TSAN GROUP CO., LTD.
P.O.BOX 40-76.TAINAN.TAIWAN,R.O.C.
TITLE N FEMALE CRIMP FOR RG316/U ,174/U
PART NO. N-04LV1-TGN
DRAWING NO. N 04LV1 TGN

DRAWN MARY **DATE** 96.06.05
CHECKED 蘇志欣 **DATE**
Q.A. 蘇姿潔 **DATE**
APPROVAL 徐燦霖 **DATE**
REVISION **DATE**

DIMENSIONS ARE IN MILLIMETERS
UNLESS OTHERWISE SPECIFIED TOLERANCE
0.5-5= \pm 0.2 120-315= \pm 1
5-30= \pm 0.4 315-1000= \pm 1.6
30-120 \pm 0.6 1000-2000= \pm 2.4
SCALE 4:1 **SIZE** A

| REVISION | |
|-------------|----------|
| DESCRIPTION | ENGINEER |
| | |
| | |
| | |