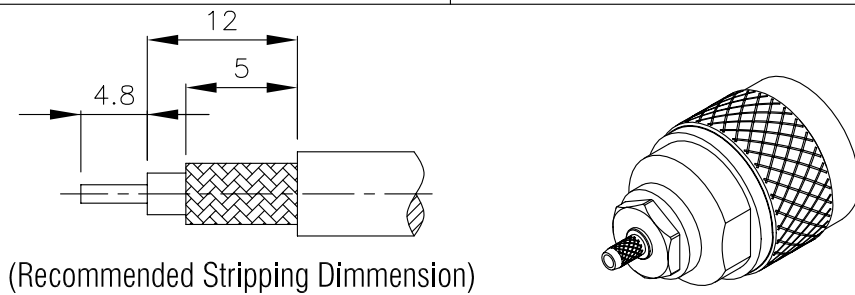


NO	DESCRIPTION	MATERIAL	Q'TY	FINISH	REMARK
1	BODY 1	BRASS	1	NICKEL	B-TNC0919-N
2	NUT	BRASS	1	NICKEL	N-0004-N
3	BODY 2	BRASS	1	NICKEL	B-N0287-N
4	INSULATION 1	TEFLON	1	TEFLON	I-0448T
5	INSULATION 2	TEFLON	1	TEFLON	I-0063T
6	WASHER	PH.BRONZE	1	NICKEL	W-0014-N
7	GASKET	SI RUBBER	1	NICKEL	RU-0007
8	BODY 3	BRASS	1	NICKEL	B-N0033-N
9	BODY 4	BRASS	1	NICKEL	B-N0032-N
10	PIN	BRASS	1	GOLD	P-N0170-G
11	RING	BRASS	1	NICKEL	R-0001-N



D

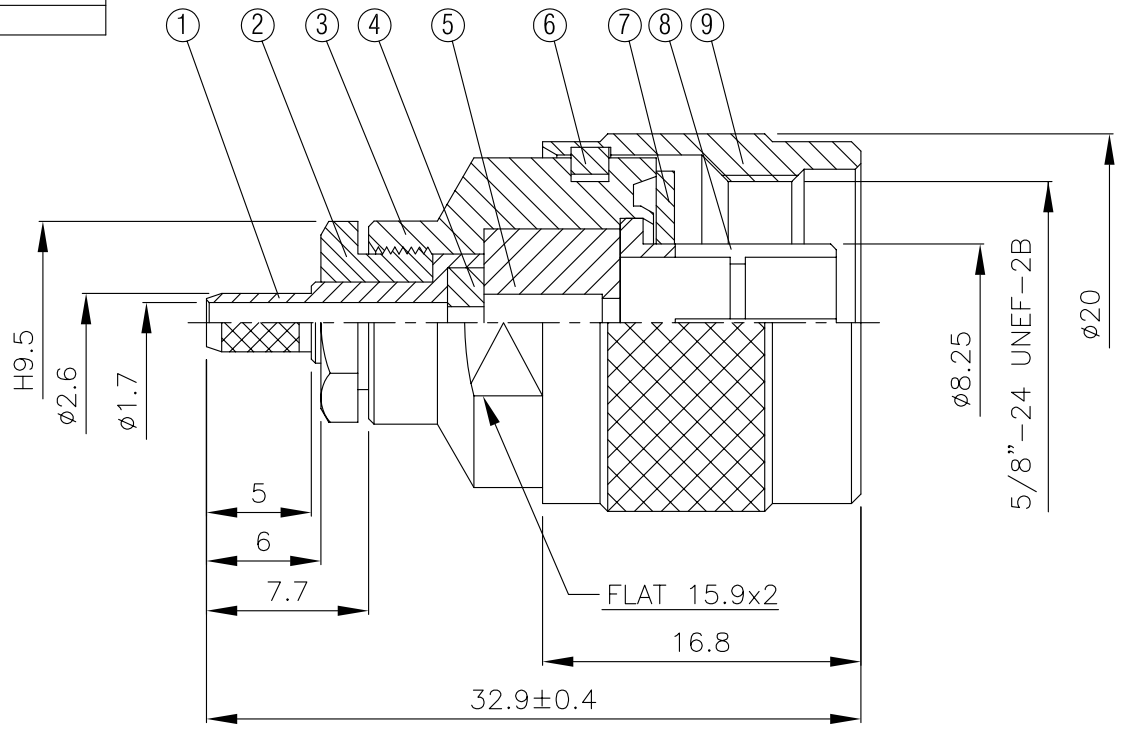
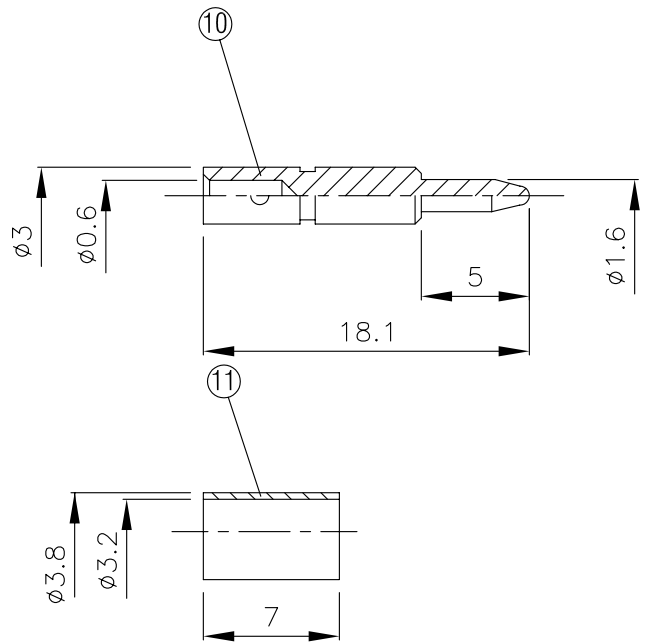
D

C

C

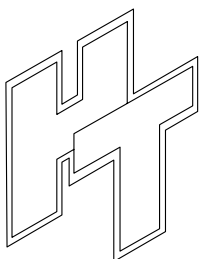
B

B



A

A



HUS-TSAN GROUP CO., LTD.
P.O.BOX 40-76.TAINAN.TAIWAN,R.O.C.
TITLE N MALE CRIMP FOR RG-316/U
PART NO. N-03LV1-TGN
DRAWING NO. N 03LV1 TGN

DRAWN MARY
CHECKED 蘇志欣
Q.A. 蘇姿潔
APPROVAL 徐燦霖
REVISION

DATE 96.06.18
DATE 97.04.29
DATE
DATE

DIMENSIONS ARE IN MILLIMETERS
UNLESS OTHERWISE SPECIFIED TOLERANCE
0.5-5=±0.2 120-315=±1
5-30= ±0.4 315-1000=±1.6
30-120±0.6 1000-2000=±2.4
SCALE 4:1 **SIZE** A

REVISION	
DESCRIPTION	ENGINEER

4

3

2

1