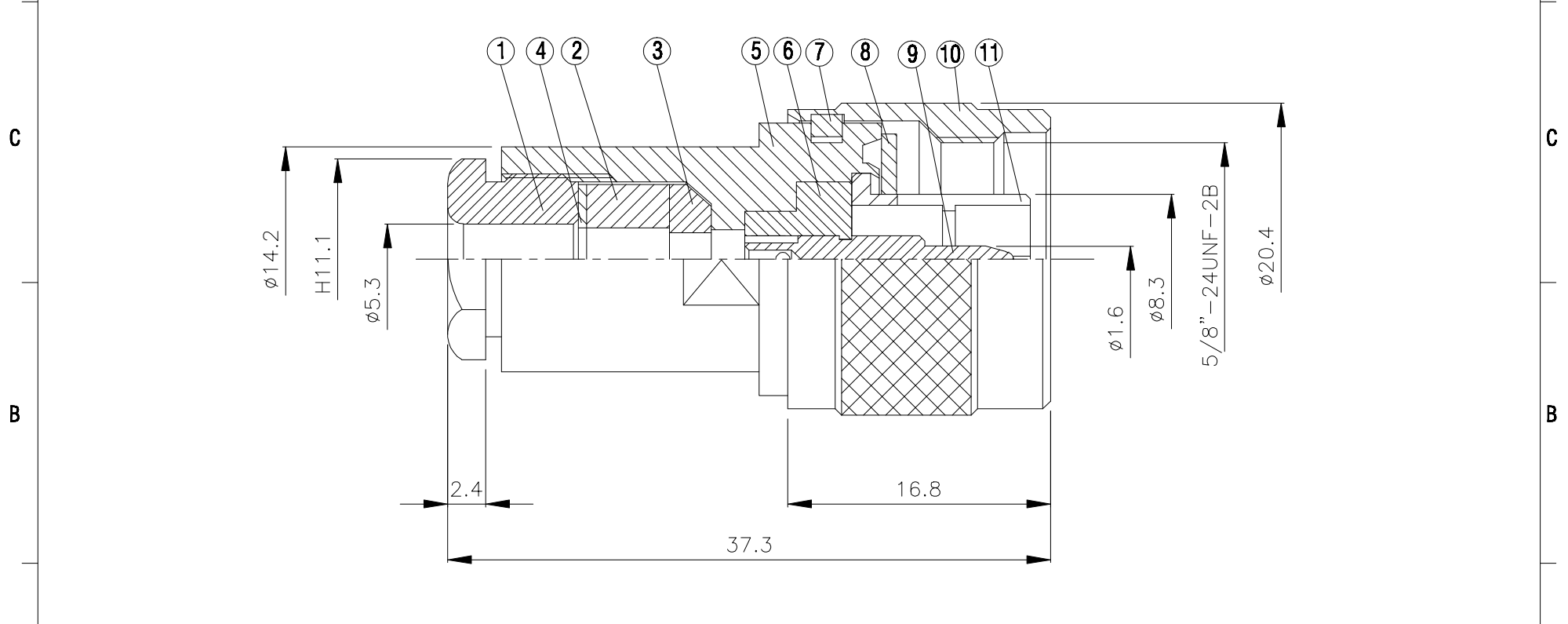
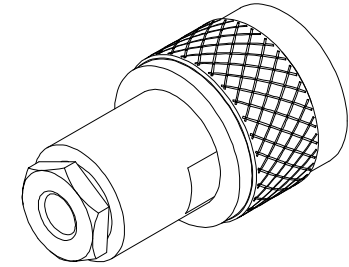


NO	DESCRIPTION	MATERIAL	Q'TY	FINISH	REMARK
1	NUT	BRASS	1	NICKEL	N-0018-N
2	RUBBER	SI RUBBER	1	RUBBER	RU-0017
3	BODY 1	BRASS	1	NICKEL	B-N0641-N
4	WASHER	BRASS	1	GOLD	W-0054-N
5	BODY 2	BRASS	1	RUBBER	B-N0640-N
6	INSULATION	TEFLON	1	TEFLON	I-0296T
7	WASHER 1	BRASS	1	NICKEL	W-0014-N
8	RUBBER	SI RUBBER	1	RUBBER	RU-0007
9	PIN	BRASS	1	GOLD	P-N0157-G
10	BODY 3	BRASS	1	NICKEL	B-N0032-N
11	BODY 4	BRASS	1	NICKEL	B-N0033-N



	<b>HUS-TSAN GROUP CO., LTD.</b>		DRAWN	MARY	DATE	95.11.17			DIMENSIONS ARE IN MILLIMETERS		REVISION	
	P.O.BOX 40-76.TAINAN.TAIWAN,R.O.C.		CHECKED	蘇志欣	DATE	UNLESS OTHERWISE SPECIFIED TOLERANCE			DESCRIPTION	ENGINEER	A	
	TITLE N MALE CLAMP FOR RG- 58/U		Q.A.	蘇姿潔	DATE	0.5-5=±0.2 120-315=±1						
	PART NO. N-01F-TGN		APPROVAL	徐燦霖	DATE	5-30=±0.4 315-1000=±1.6						
	DRAWING NO. N 01F TGN		REVISION		DATE	30-120±0.6 1000-2000=±2.4						
					SCALE	4:1	SIZE	A				