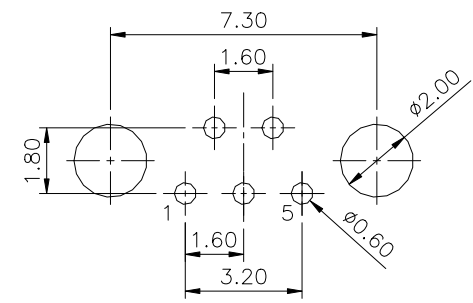
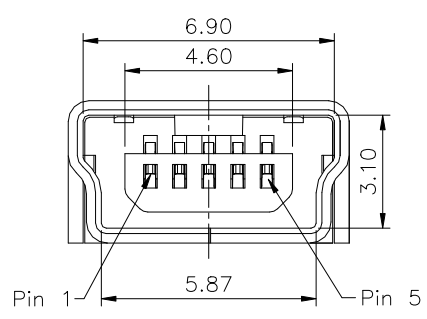


SPECIFICATION

Current Rating:1A Max.
 Voltage:30V Max.
 Dielectric Withstanding Voltage:100V AC For 1 Minute
 Contact Resistance:50 Milliohms Max.
 Insulation Resistance:100 Megahms Min.
 Temperature Range:-40°C~+85°C
 Total Mating Force:3.57 Kgf Max.
 Total Unmating Force:0.7 Kgf Min.
 After Durability:5000 Cycles,0.3 Kgf Min.
 Contacts:C5191-EH,Gold Flash On Contact Area,
 Tin Plated On Solder Tails,Over Nickel
 Insulator:LCP+30%G.F.(UL94V-0),Black
 Shell:C5191R-H,Nickel Plated Over All
 RoHS Compliant



Recommended P.C.B. Layout

MSB 5B S D X - H H
 (1) (2) (3) (4) (5) (6) (7)

- (1) MSB:Mini USB
- (2) 5B:5 Pin B Type
- (3) S:Female
- (4) D:DIP Straight
- (5) X:Without Kink
- (6) H:Withstand High Temperature Soldering
- (7) H:RoHS Compliant



CATEGORY		APPROVED BY		UNLESS OTHERWISE SPECIFIED TOLERANCES ARE					
		MEI		.X ±0.38 .X* ±2.0°					
PART No.		CHECKED BY		.XX ±0.25 .XX* ±1.0°					
MSB5BSDX-HH		HZF		.XXX ±0.10 .XXX* ±0.5°					
DRAWING No.		DRAWING BY		UNIT		△ BO	NEW RELEASE	HZF	04/04/2016
MSB5BSDX-HH		CYP		mm		NO.REV.	REVISIONS	CHK	DATE
SCALE	NONE	REV.	B0						