

SPECIFICATION

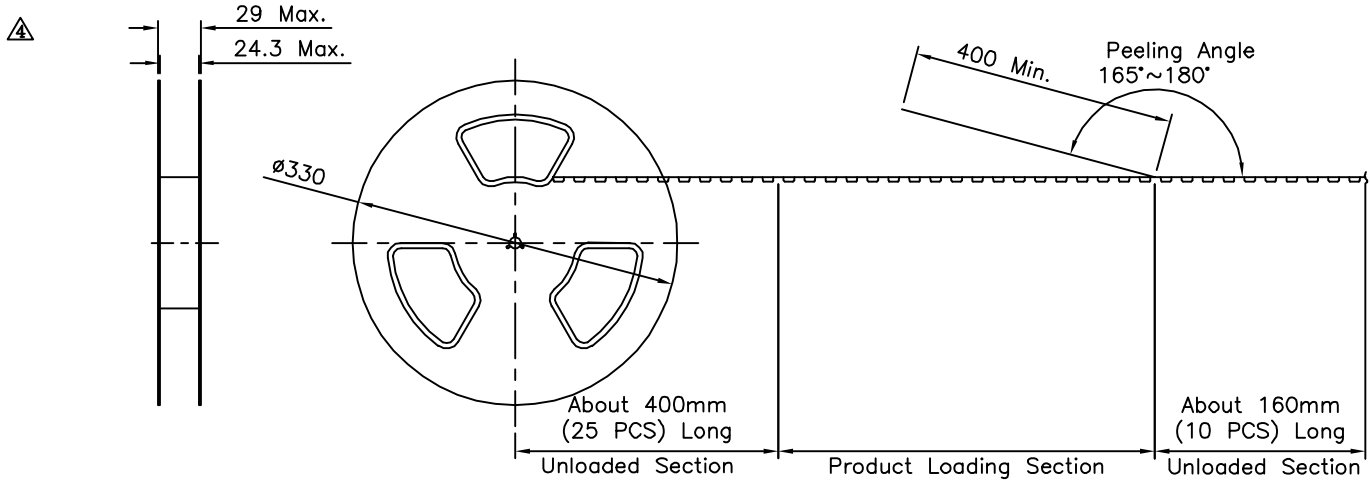
Current Rating:1 Amp Max.
 Withstand Voltage:30V AC For 1 Minute
 Contact Resistance:30 Milliohms Max.
 Insulation Resistance:1000 Megaohms Min.
 At 500V DC
 Operation Temperature Range:-55°C~+105°C
 Insertion Force:30N Max.
 Extraction Force:5N Min.
 Housing:LCP(UL94V-0),Black
 Contact:Phosphor Bronze,Gold Plated On Contact
 Area,Tin Plated On Solder Tails,Over Nickel
 Shell:Phosphor Bronze,Nickel Plated
 RoHS Compliant

MSB 5 AB S W C - R5H - H
 (1) (2) (3) (4) (5) (6) (7) (8)

- (1) MSB:Mini USB Series
- (2) 5:5 Pin Type
- (3) AB:AB Type
- (4) S:Female
- (5) W:SMT Right Angle
- (6) C:With Cap
- (7) R5H:Tape & Reel 500 PCS/Reel
- (8) H:RoHS Compliant

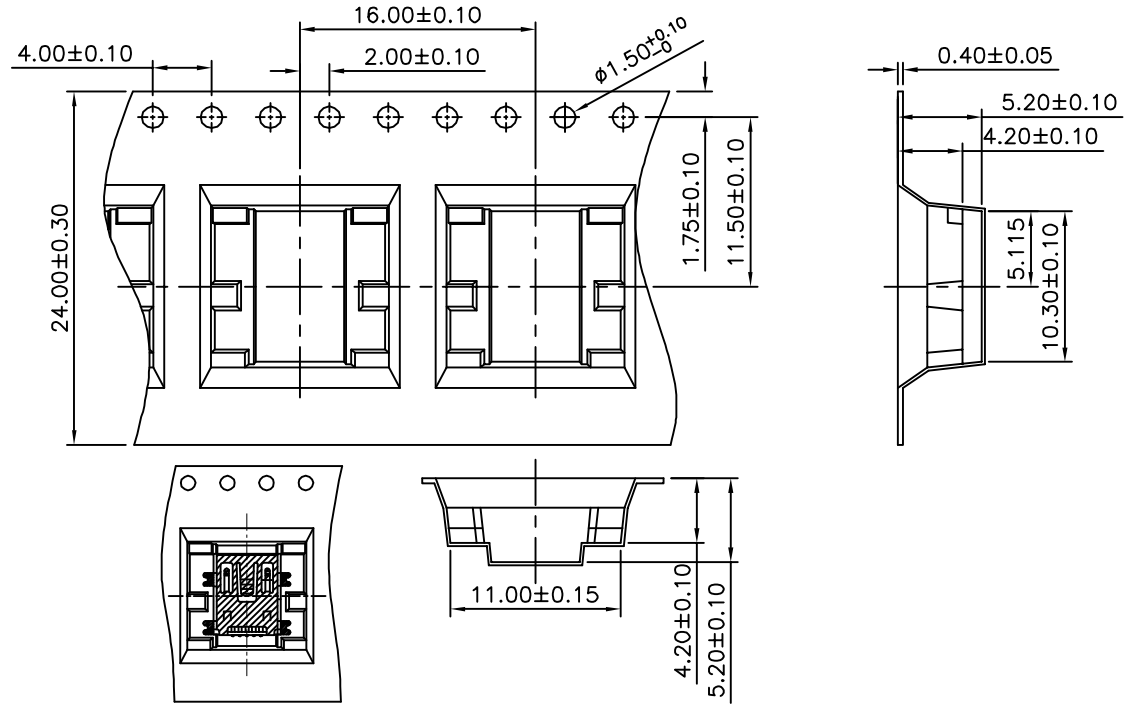


CATEGORY		APPROVED BY		UNLESS OTHERWISE SPECIFIED TOLERANCES ARE .X ±0.30 .XX ±0.20 .XXX ±0.10 ANG. ±1°	A4	Modify P/N:MSB5ABSWC-H --> MSB5ABSWC-R5H-H	HZF	12/24/2013
PART No. MSB5ABSWC-R5H-H		MEI			A3	Modify Data	HZF	11/12/2012
DRAWING No. MSB5ABSWC-R5H-H		CHECKED BY			A2	Modify Data	HZF	06/08/2011
SCALE NONE		DRAWING BY			A1	Modify P/N	EMILY	12/19/2008
REV.		A4		A0	NEW RELEASE	SHIN	04/01/2007	
UNIT mm		REV. A4		NO. REV.		REVISIONS		CHK DATE



SPECIFICATION
 Cover Tape:PET,Transparent
 Carrier Tape:Polystyrenes,Black
 Reel:Polystyrenes,Blue
 Peeling Strength:0.1~1.3N(10~130 Grams)
 Peeling Speed:300mm/Minute
 Q'ty:500 PCS/Reel
 RoHS Compliant

User Direction Of Unreeling →



AUK A MEMBER OF AUK GROUP
太聯事業股份有限公司
AUK CONTRACTORS CO., LTD.

CATEGORY		APPROVED BY		UNLESS OTHERWISE SPECIFIED TOLERANCES ARE .X ±0.30 .XX ±0.20 .XXX ±0.10 ANG. ±1°
PART No. MSB5ABSWC-R5H-H		MEI		
DRAWING No. MSB5ABSWC-R5H-H		HZF		
SCALE NONE		YBL		
REV.	A4	UNIT mm		

NO.	REV.	DESCRIPTION	CHK	DATE
A4		Modify P/N:MSB5ABSWC-H --> MSB5ABSWC-R5H-H	HZF	12/24/2013
A3		Modify Data	HZF	11/12/2012
A2		Modify Data	HZF	06/08/2011
A1		Modify P/N	EMILY	12/19/2008
A0		NEW RELEASE	SHIN	04/01/2007