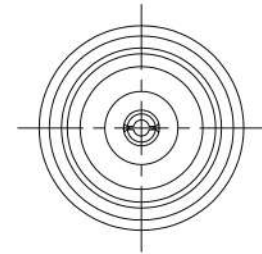
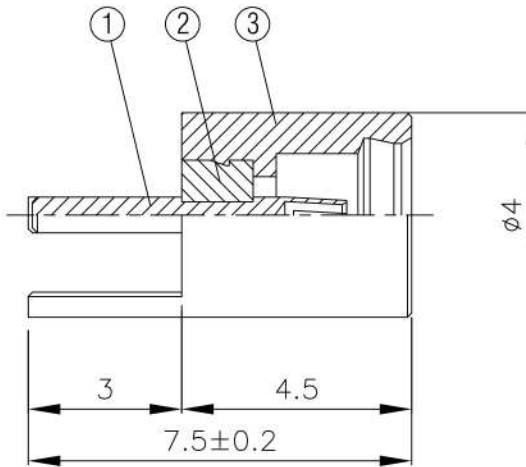
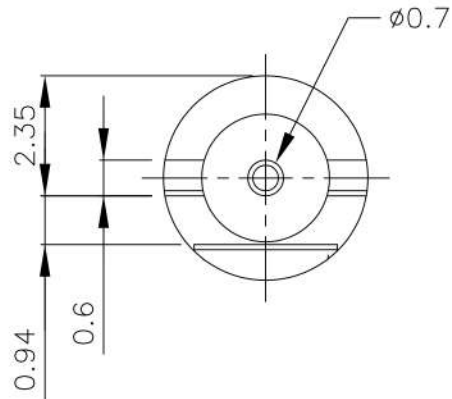
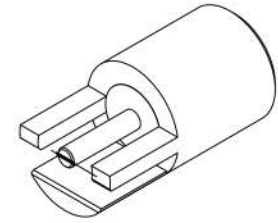
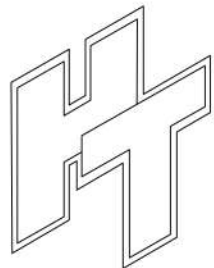


NO	DESCRIPTION	MATERIAL	Q'TY	FINISH	REMARK
1	PIN	BE CU	1	GOLD	P-MMCX0016-G
2	INSULATION	TEFLON	1	TEFLON	I-0101T
3	BODY	BRASS	1	GOLD	B-MMCX0534-G



Working  
Voltage: **170**  
Volts rms max.



HUS-TSAN GROUP CO., LTD.

P.O. BOX 40-76. TAINAN. TAIWAN, R.O.C.

TITLE **MMCX FEMALE END LAUNCH  
RECEPTACLE (0.79) Series MMCX**

PART NO. **MMCX-12-TGG**

DRAWING NO. **MMCX 12 TGG**

DRAWN MARY DATE 96.05.18

CHECKED **蘇姿潔** DATE

Q.A. **馮健華** DATE

APPROVAL **徐燦霖** DATE

REVISION DATE

DIMENSIONS ARE IN MILLIMETERS

UNLESS OTHERWISE SPECIFIED  
TOLERANCE

0.5-5 = ±0.2 120-315 = ±1

5-30 = ±0.4 315-1000 = ±1.6

30-120 ±0.6 1000-2000 = ±2.4

SCALE 4:1 SIZE A

REVISION

DESCRIPTION ENGINEER