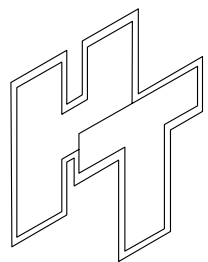
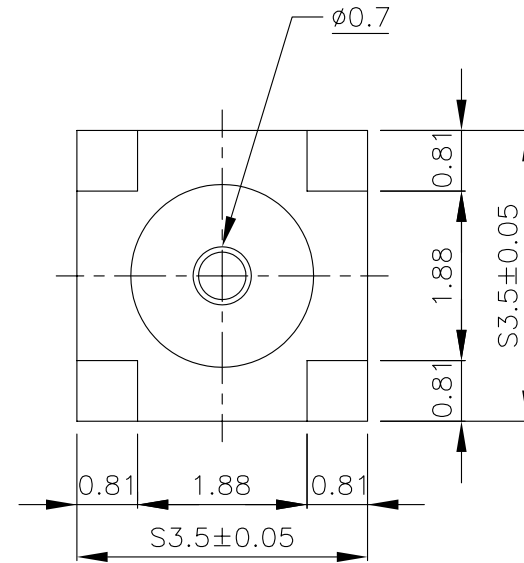
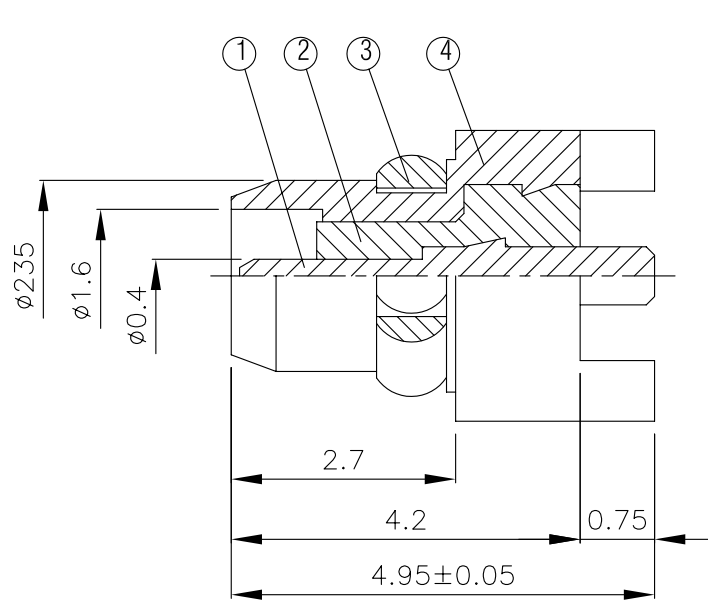
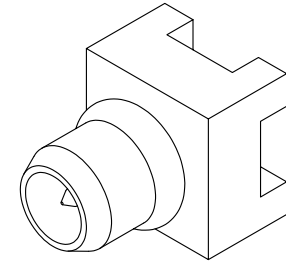


NO	DESCRIPTION	MATERIAL	Q'TY	FINISH	REMARK
1	PIN	BRASS	1	GOLD	P-MMCX0136-G
2	INSULATION	TEFLON	1	TEFLON	I-0033T
3	WASHER	BE CU	1	GOLD	W-0008-G
4	BODY	BRASS	1	GOLD	B-MMCX0216-G



HUS-TSAN GROUP CO., LTD.
P.O.BOX 40-76.TAINAN.TAIWAN,R.O.C.
TITLE
MMCX MALE PCB MOUNT
PART NO.
MMCX-07V4-TGG
DRAWING NO.
MMCX 07V4 TGG

DRAWN MARY **DATE** 96.05.18
CHECKED 蘇志欣 **DATE**
Q.A. 蘇姿潔 **DATE**
APPROVAL 徐燦霖 **DATE**
REVISION **DATE**

DIMENSIONS ARE IN MILLIMETERS
UNLESS OTHERWISE SPECIFIED TOLERANCE
0.5-5=±0.2 120-315=±1
5-30= ±0.4 315-1000=±1.6
30-120±0.6 1000-2000=±2.4
SCALE 4:1 **SIZE** A

REVISION	
DESCRIPTION	ENGINEER