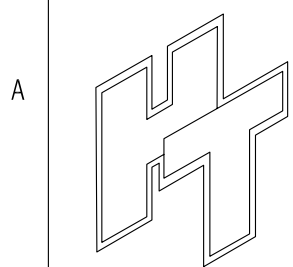
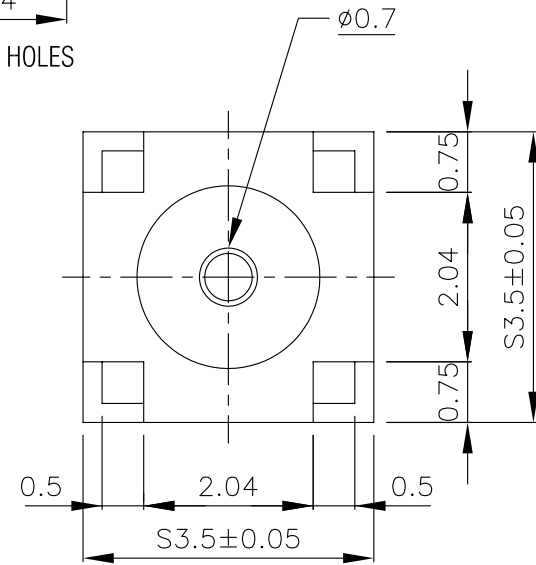
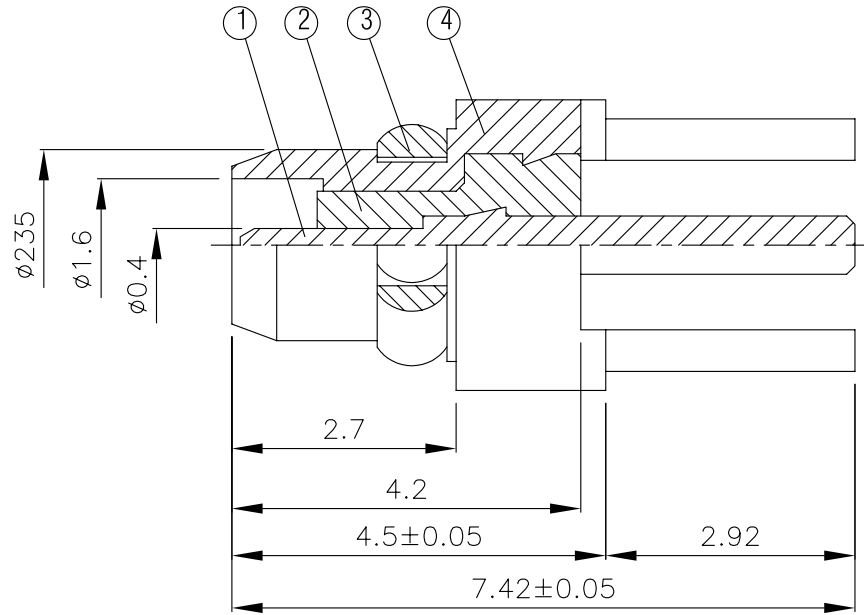
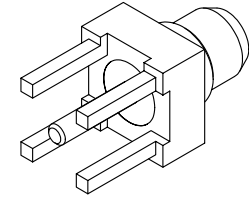
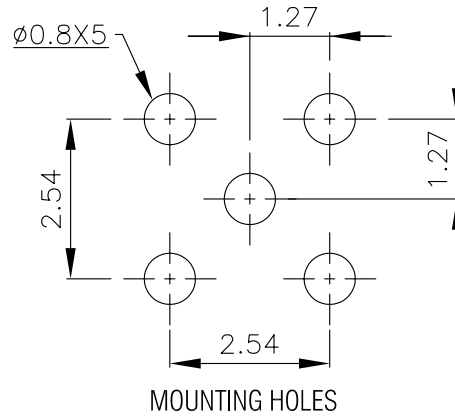


NO	DESCRIPTION	MATERIAL	Q'TY	FINISH	REMARK
1	PIN	BRASS	1	GOLD	P-MMCX0126-G
2	INSULATION	TEFLON	1	TEFLON	I-0033T
3	WASHER	BE CU	1	GOLD	W-0008-G
4	BODY	BRASS	1	GOLD	B-MMCX0195-G



HUS-TSAN GROUP CO., LTD.
P.O.BOX 40-76.TAINAN.TAIWAN,R.O.C.
TITLE
MMCX MALE PCB MOUNT
PART NO.
MMCX-07-TGG
DRAWING NO.
MMCX 07 TGG

DRAWN	MARY	DATE	96.05.18
CHECKED	蘇志欣	DATE	
Q.A.	蘇姿潔	DATE	
APPROVAL	徐燦霖	DATE	
REVISION		DATE	

DIMENSIONS ARE IN MILLIMETERS			
UNLESS OTHERWISE SPECIFIED TOLERANCE			
0.5-5=±0.2	120-315=±1		
5-30=±0.4	315-1000=±1.6		
30-120±0.6	1000-2000=±2.4		
SCALE	4:1	SIZE	A

REVISION	
DESCRIPTION	ENGINEER