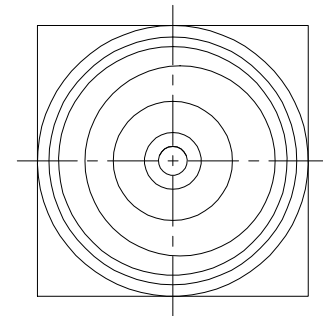
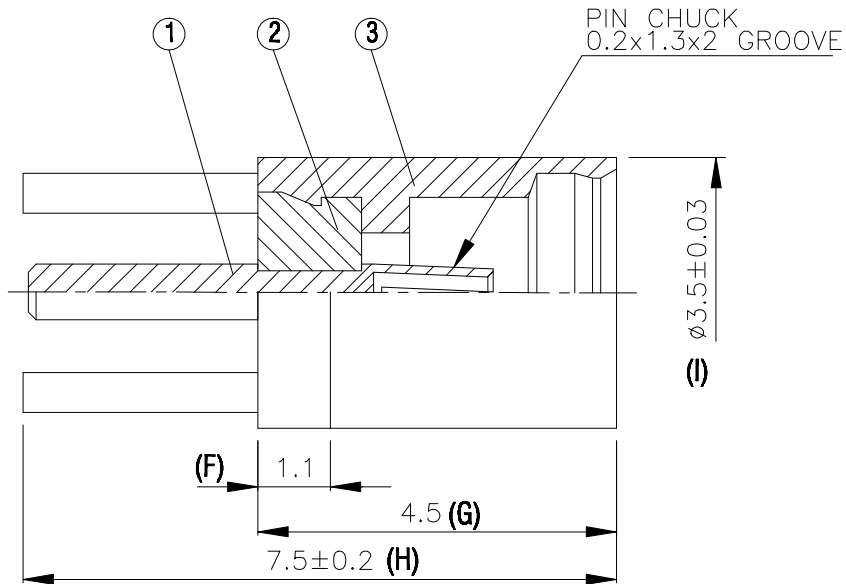
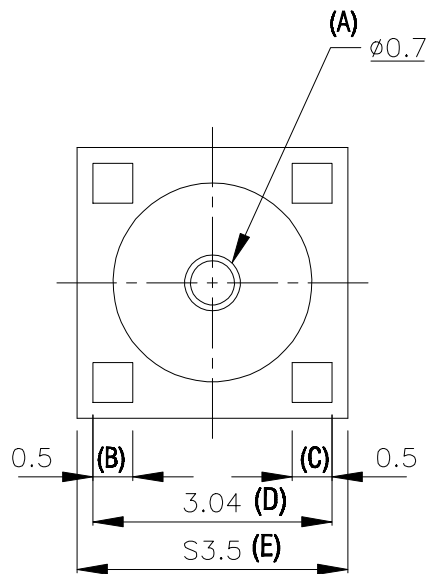
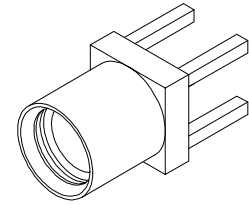


NO	DESCRIPTION	MATERIAL	Q'TY	FINISH	REMARK
1	PIN	BE CU	1	GOLD	P-MMCX0016-G
2	INSULATION	TEFLON	1	TEFLON	I-0101T
3	BODY	BRASS	1	GOLD	B-MMCX0211-G



**Working  
Voltage: 170  
Volts rms max.**

	<b>HUS-TSAN GROUP CO., LTD.</b>		DRAWN	MARY	DATE	DIMENSIONS ARE IN MILLIMETERS				REVISION	
	P.O.BOX 40-76.TAINAN.TAIWAN,R.O.C.		CHECKED	蘇志欣	DATE					UNLESS OTHERWISE SPECIFIED TOLERANCE	
	TITLE MMCX FEMALE PCB MOUNT Series MMCX		Q.A.	蘇姿潔	DATE	0.5-5 = $\pm 0.2$	120-315 = $\pm 1$				
	PART NO. MMCX-03-TGG		APPROVAL	徐燦霖	DATE	5-30 = $\pm 0.4$	315-1000 = $\pm 1.6$				
	DRAWING NO. MMCX 03 TGG		REVISION		DATE	30-120 = $\pm 0.6$	1000-2000 = $\pm 2.4$				
					SCALE	4:1	SIZE	A			

4

3

2

1