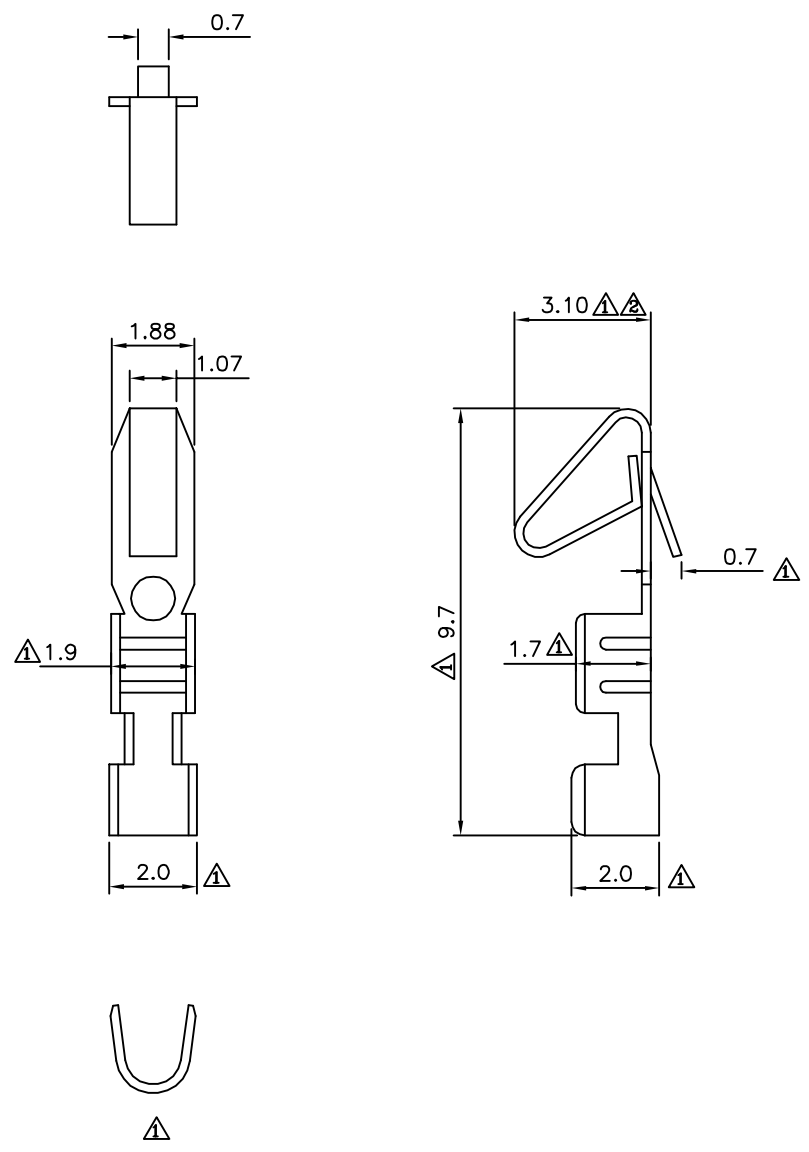


△ SPECIFICATION
 Applicable Wire:AWG #22~30
 Material:Brass,Tin Plated
 Thickness:0.2mm
 Hardness:SH
 Q'ty:10,000 PCS/Reel
 RoHS Compliant



AUK A MEMBER OF AUK GROUP
太聯事業股份有限公司
AUK CONTRACTORS CO., LTD.

SERIES MK		APPROVED BY EMILY	
PART No. MKT-R10K-H		CHECKED BY HZF	
DRAWING No. MKT-R10K-H		DRAWING BY HAO	
SCALE NONE	REV. A2		

UNLESS OTHERWISE SPECIFIED TOLERANCES ARE
 .X ±0.38
 .XX ±0.25
 UNIT mm

NO.	REV.	REVISIONS	CHK	DATE
△ A2		Modify P/N:MKT-H --> MKT-R10K-H	HZF	02/03/2015
△ A1		Modify Data	HZF	03/05/2010
△ A0		NEW RELEASE	BECKY	02/14/2006