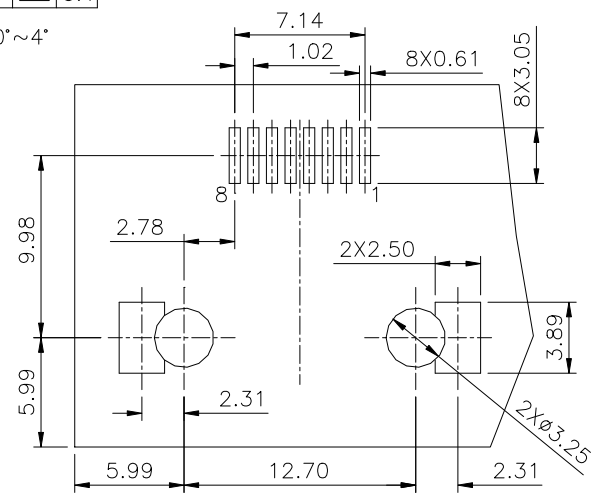
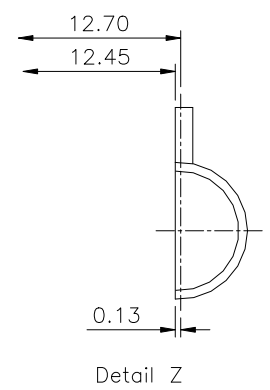
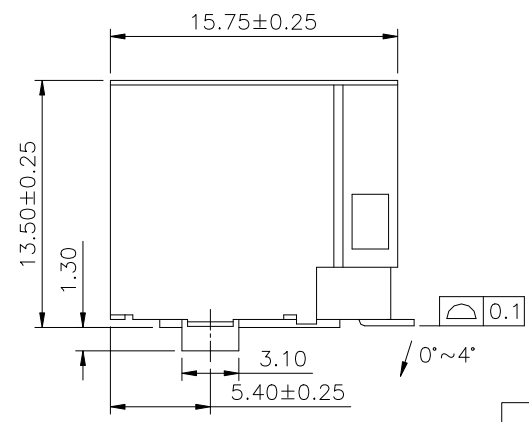
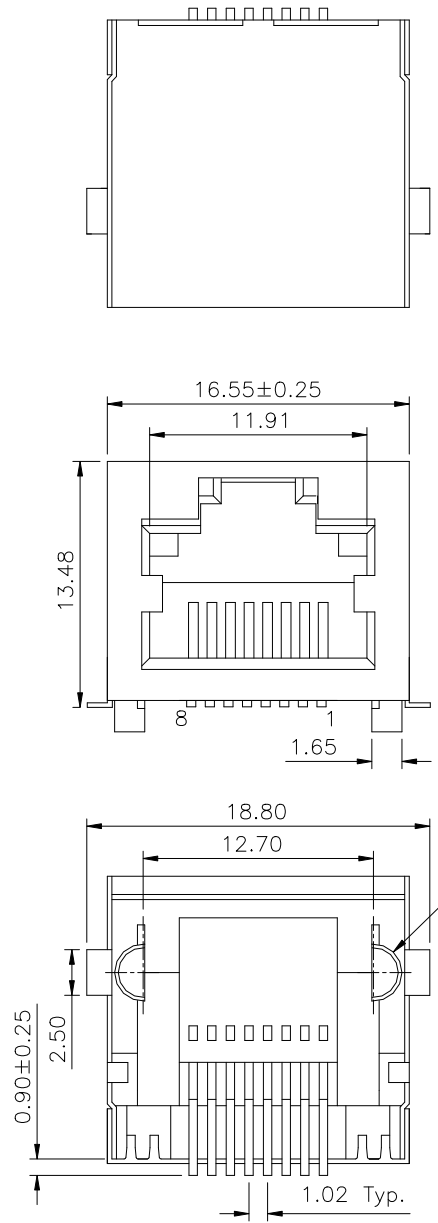


SPECIFICATION
 Current Rating:1.5A Max.
 Voltage Rating:150V AC Max.
 Operating Temperature: -40°C~+85°C
 Relative Humidity: 70% ±10%RH
 Insulation Resistance:500 Megaohms Min. (Initial)
 At 500V DC For 1 Minute
 Contact Resistance:20 Milliohms Max.(Initial)
 Open Circuit At 20mV,100mA Max.
 Durability:750 Cycles
 Dielectric Withstanding Voltage:
 1000V RMS. At 60Hz,1 Minute Between
 Adjacent Contacts
 1500V RMS. At 60Hz,1 Minute Between
 Shield And Contacts
 Housing:PA9T(UL94V-0),Black
 Insert Housing:PA46(UL94V-0),Black
 Contact:Phosphor Bronze
 Shield:Brass,Nickel Plated
 Cavity Conforms To FCC Rules And
 Regulations Part 68,Subpart F.
 RoHS Compliant

MJ UW 0808 F X XX P - R2H - H
 (1) (2) (3) (4)(5) (6) (7) (8) (9)

- (1) MJ:Modular Jack
- (2) UW:Upper Latch SMT Right Angle
- (3) 0808:8P8C
- (4) F:Full Shielded
- (5) X:Without Panel Ground
- (6) XX:Contact Finish
- 06:Gold Plated 06u" On Contact Area,
Gold Flash On Other Area,Over Nickel
- 15:Gold Plated 15u" On Contact Area,
Gold Flash On Other Area,Over Nickel
- 30:Gold Plated 30u" On Contact Area,
Gold Flash On Other Area,Over Nickel
- 50:Gold Plated 50u" On Contact Area,
Gold Flash On Other Area,Over Nickel
- (7) P:With 2 Post
- (8) R2H:Tape & Reel 200 PCS/Reel
- (9) H:RoHS Compliant



AUK A MEMBER OF AUK GROUP
太聯事業股份有限公司
AUK CONTRACTORS CO., LTD.

CATEGORY		APPROVED BY		UNLESS OTHERWISE SPECIFIED TOLERANCES ARE .X ±0.25 .XX ±0.20 .XXX ±0.10
PART No. MJUW0808FXXXP-R2H-H		MEI		
DRAWING No. MJUW0808FXXXP-R2H-H		CHECKED BY HZF		
SCALE		DRAWING BY CYP		
SCALE	NONE	REV.	A0	UNIT mm

NO.	REV.	REVISIONS	CHK	DATE
△ A0		NEW RELEASE	HZF	06/10/2015