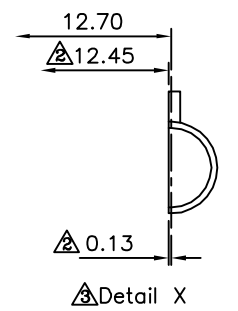
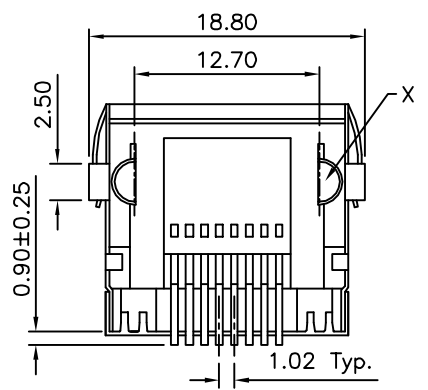
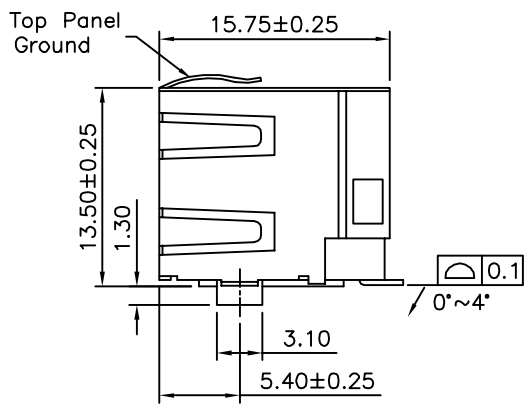
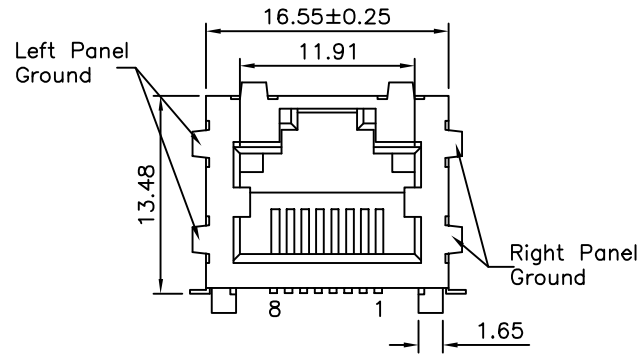


Recommended P.C.B. Layout



**△ SPECIFICATION**

Housing:PA9T(UL94V-0),Black  
 Insert Housing:PA46(UL94V-0),Black  
 Contacts:Phosphor Bronze  
 △ Shield:Brass,Nickel Plated  
 Cavity Confirms To FCC Rules And Regulations  
 Part 68,Subpart F.  
 RoHS Compliant

MJ	UW	0808	F	F	XX	P	-	R2H	-	H
(1)	(2)	(3)	(4)	(5)	(6)	(7)		(8)		(9)

- (1) MJ:Modular Jack
- (2) UW:Upper LED Series SMT Right Angle
- (3) 0808:8P8C
- (4) F:Full Shielded
- (5) F:Full Panel Ground
- (6) XX:Contact Finish  
 06:Gold Plated 06u" On Contact Area,Gold Flash On Other Area,Over Nickel  
 15:Gold Plated 15u" On Area,Gold Flash On Other Area,Over Nickel  
 30:Gold Plated 30u" On Contact Area,Gold Flash On Other Area,Over Nickel  
 50:Gold Plated 50u" On Contact Area,Gold Flash On Other Area,Over Nickel
- (7) P:With 2 Post
- (8) R2H: Tape & Reel 200 PCS/Reel
- (9) H:RoHS Compliant

**AUK** A MEMBER OF AUK GROUP  
**太聯事業股份有限公司**  
**AUK CONTRACTORS CO., LTD.**

CATEGORY		APPROVED BY		UNLESS OTHERWISE SPECIFIED TOLERANCES ARE .X ±0.25 .XX ±0.20 .XXX ±0.10				
PART No. MJUW0808FFXXP-R2H-H		MEI			△ A3	Modify Data	HZF	05/19/2014
DRAWING No. MJUW0808FFXXP-R2H-H		HZF			△ A2	Modify Data	HZF	01/22/2014
SCALE NONE		SONG			△ A1	Modify P/N: MJUW0808FFXXP-R2H-H → MJUW0808FFXXP-R2H-H	HZF	01/25/2013
REV.	A3	UNIT mm	NO. REV.	△ A0	NEW RELEASE	HZF	07/18/2012	
					REVISIONS	CHK	DATE	

