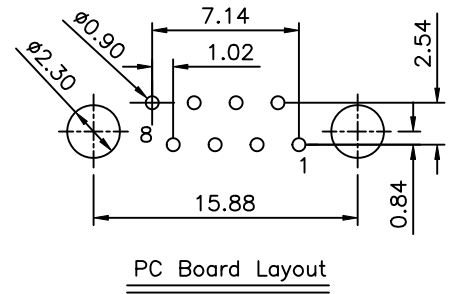
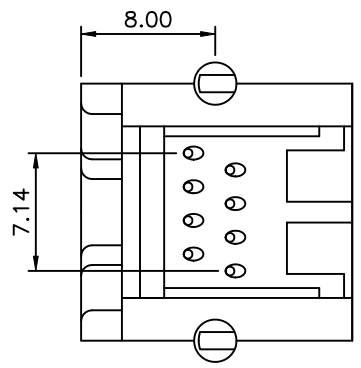
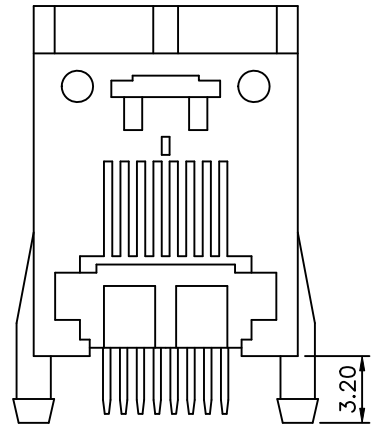
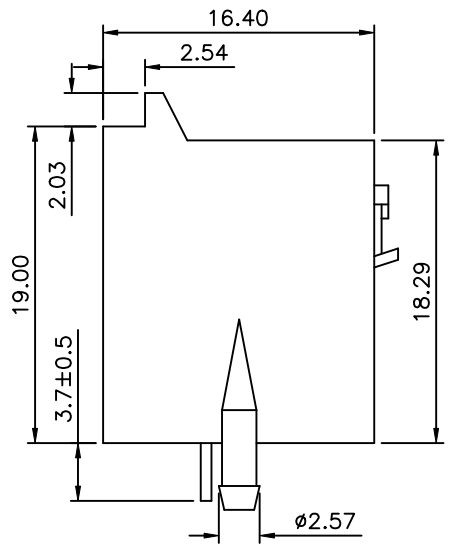
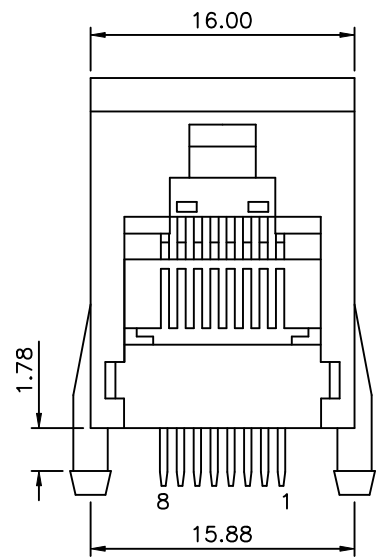


**SPECIFICATION**  
 Housing: Nylon66 Polyester UL94V-0  
 Mixed Glass Fiber, Color: Gray  
 Contact: 0.45mm Dia Round Phosphor Bronze  
 Gold Plated 6u"  
 Shorting Buss: Phosphor Bronze  
 Plated With Hard Gold  
 Cavity Confirms To FCC Rules And Regulations  
 Part 68 Subpart F  
 RoHS Compliant



**AUK** A MEMBER OF AUK GROUP  
**太聯事業股份有限公司**  
**AUK CONTRACTORS CO., LTD.**

CATEGORY		APPROVED BY		UNLESS OTHERWISE SPECIFIED						
		MEI								
PART No.		CHECKED BY		TOLERANCES ARE						
MJG0808GX06-H		HZF		.X ±0.25						
DRAWING No.		DRAWING BY		.XX ±0.13						
MJG0808GX06-H		JLT		.XXX ±0.05						
				ANG: ±0.30°						
SCALE	NONE	REV.	BO	UNIT			BO	NEW RELEASE	HZF	05/15/2008
				mm			NO. REV.	REVISIONS	CHK	DATE