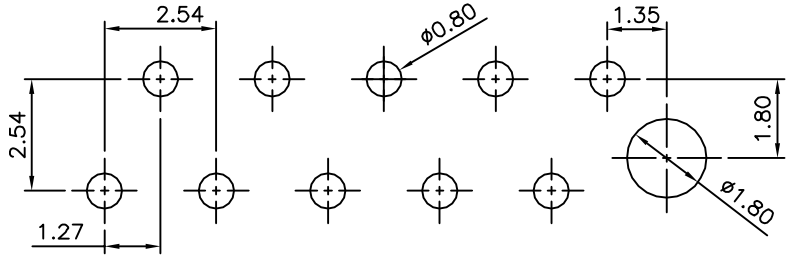


SPECIFICATION

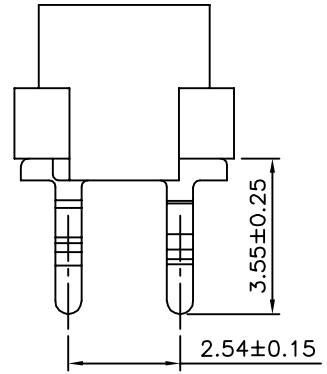
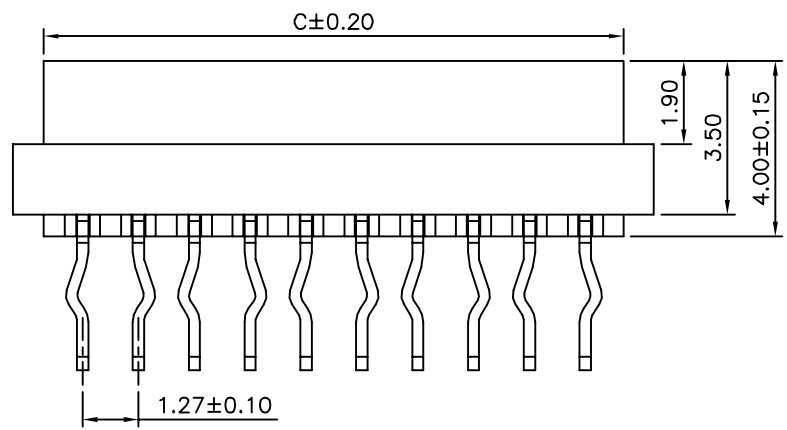
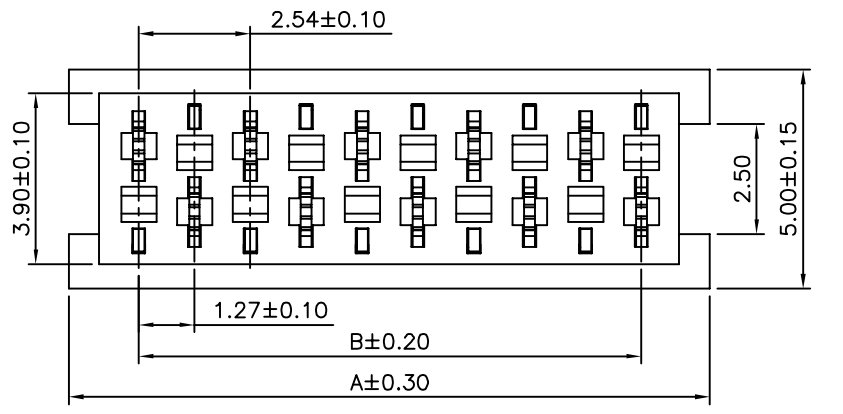
Current Rating:1.0 Amp
 Withstand Voltage:500V AC/DC
 Contact Resistance:20 Milliohms Max.
 Insulation Resistance:1000 Megaohms Min.
 Operation Temperature:-40°C~+105°C
 Contact:Phosphor Bronze,Tin Plated Over Nickel
 Insulator:PA46(UL94V-0)
 RoHS Compliant

MIM XX SD - H H
 (1) (2) (3) (4) (5)

- (1) MIM:2.54mm Micro Match
- (2) XX:No. Of Position
- (3) SD:Female DIP Straight
- (4) H:Withstand High Temperature Soldering
- (5) H:RoHS Compliant



Recommended P.C.B. Layout(Top Side)
 (PCB Board Tolerance±0.05)



Pin	A	B	C
04	7.00	3.81	5.60
06	9.54	6.35	8.14
08	12.08	8.89	10.68
10	14.62	11.43	13.22
12	17.16	13.97	15.76
14	19.70	16.51	18.30
16	22.24	19.05	20.84
18	24.78	21.59	23.38
20	27.32	24.13	25.92

AUK A MEMBER OF AUK GROUP
太聯事業股份有限公司
AUK CONTRACTORS CO., LTD.

CATEGORY		APPROVED BY		UNLESS OTHERWISE SPECIFIED TOLERANCES ARE .X ±0.40 .XX ±0.25 .XXX ±0.15 ANG. ±3°
PART No. MIMXXSD-HH		MEI		
DRAWING No. MIMXXSD-HH		HZF		
		SONG		
SCALE	NONE	REV.	A0	UNIT mm

NO.	REV.	REVISIONS	CHK	DATE
△ A0		NEW RELEASE	HZF	06/28/2011