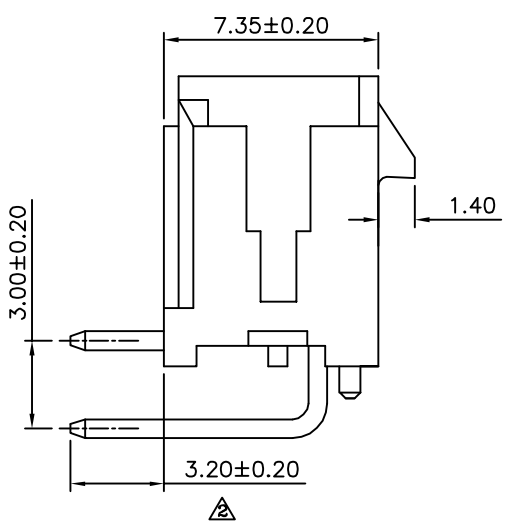
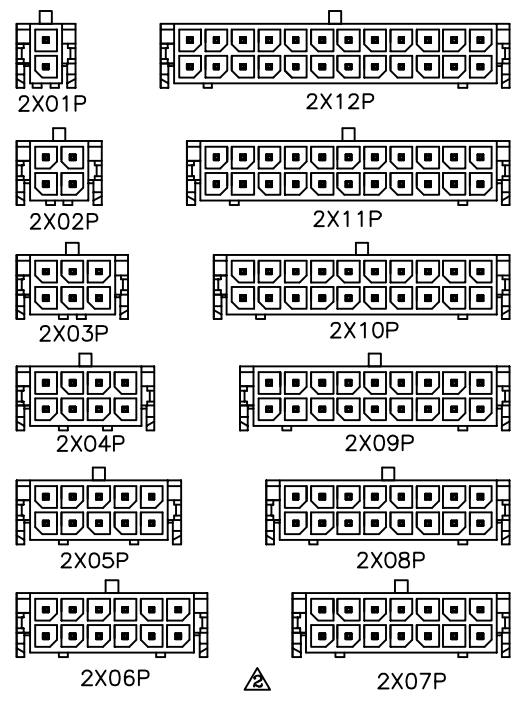
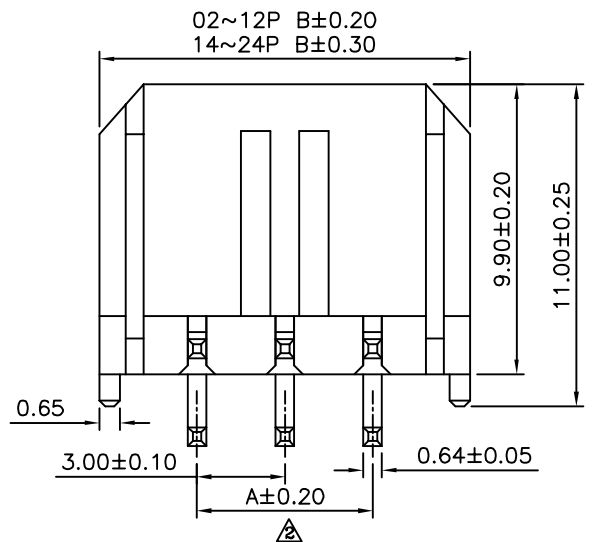
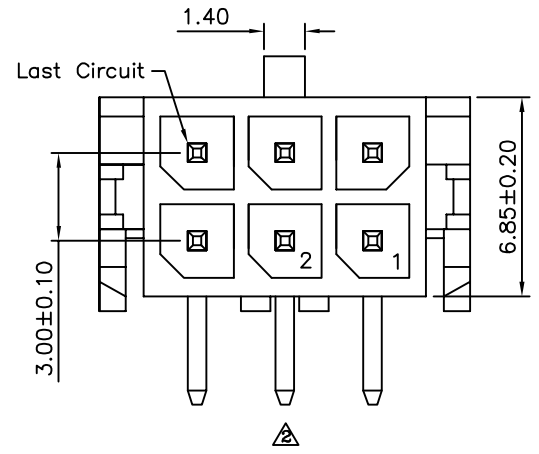


Recommended P.C.B. Layout



△ SPECIFICATION

- △ 1. General Characteristics
3.0mm Micro-Fit Wafer 2XXX DIP 90°
Without Post Black Insulator Tin Plated
- 2. Material & Finish
Insulator: PA66+15%G.F.(UL94V-0), Black
Contact: Brass, Tin Plated
- 3. Electrical Characteristics
Current Rating: 5A AC, DC
Voltage Rating: 250V AC, DC
Contact Resistance: 10 Milliohms Max.
Insulation Resistance: 1000 Megaohms Min.
Withstand Voltage: 1500V AC/Minute
- 4. Environmental Characteristics
Temperature Range: -25°C ~ +85°C
- 5. RoHS Compliant

- MIF 2 X XX P RX - H
(1) (2) (3) (4) (5) (6)
- (1) MIF: 3.0mm Micro-Fit Series
 - (2) 2: Dual Row
 - (3) XX: No. Of Position/Per Row
 - (4) P: Male
 - (5) RX: DIP Right Angle Without Post
 - (6) H: RoHS Compliant

Pin	A	B
2		6.65
4	3.00	9.65
6	6.00	12.65
8	9.00	15.65
10	12.00	18.65
12	15.00	21.65
14	18.00	24.65
16	21.00	27.65
18	24.00	30.65
20	27.00	33.65
22	30.00	36.65
24	33.00	39.65

AUK A MEMBER OF AUK GROUP
太聯事業股份有限公司
AUK CONTRACTORS CO., LTD.

CATEGORY		APPROVED BY EMILY		UNLESS OTHERWISE SPECIFIED TOLERANCES ARE X. ±0.30 .X ±0.25 .XX ±0.20 .XXX ±0.015
PART No. MIF2XXXPRX-H		CHECKED BY HZF		
DRAWING No. MIF2XXXPRX-H		DRAWING BY CYP		
SCALE	NONE	REV.	A2	
UNIT mm		REV. A2		NO. REV.

△ A2	Modify Data	HZF	08/28/2015
△ A1	Modify Data	HZF	11/28/2014
△ A0	NEW RELEASE	HZF	10/01/2012
NO. REV.	REVISIONS	CHK	DATE