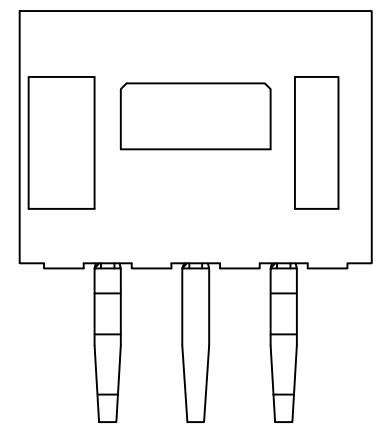
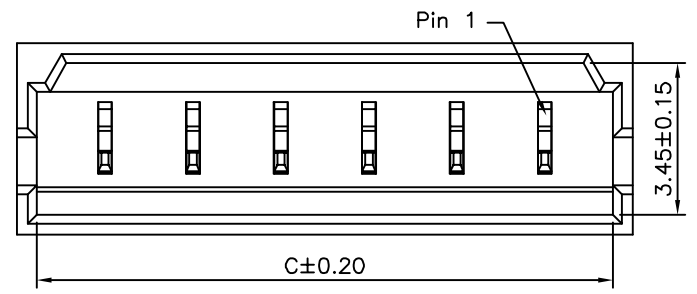


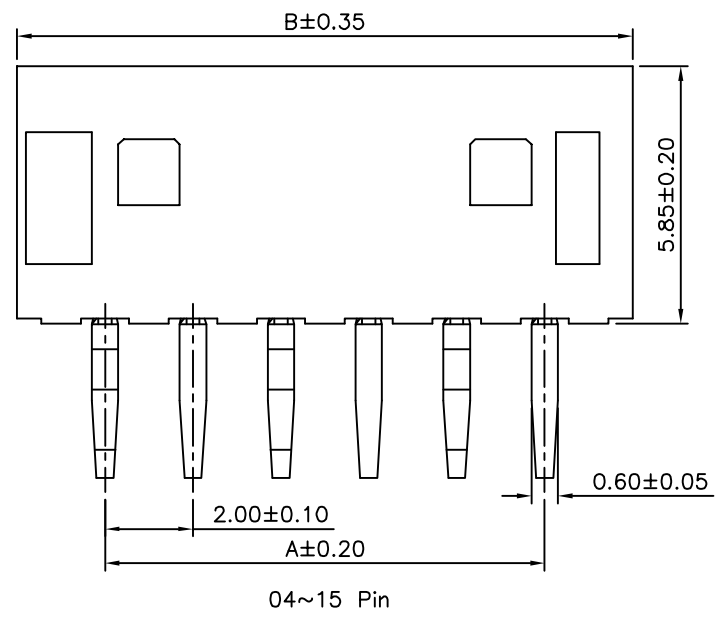
Recommended P.C.B. Layout



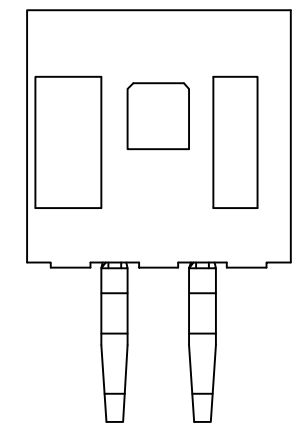
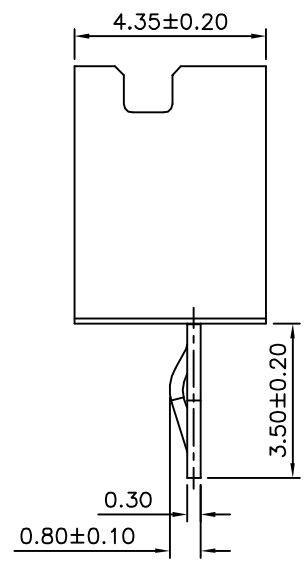
03 Pin

SPECIFICATION
 Current Rating:2A AC,DC
 Voltage Rating:125V AC,DC
 Withstanding Voltage:800V AC/Minute
 Insulation Resistance:1000 Megaohms Min.
 Contact Resistance:10 Milliohms Max.
 Operation Temperature:-25°C~+85°C
 Insulator:PA66(UL94V-0)
 Contact:Brass,Tin Plated
 RoHS Compliant

MH XX D - H
 (1) (2) (3) (4)
 (1) MH:2.0mm MH Series
 (2) XX:No. Of Position
 (3) D:Male DIP Straight
 (4) H:RoHS Compliant



04~15 Pin



02 Pin

Pin	A	B	C
02	2.00	6.00	5.10
03	4.00	8.00	7.10
04	6.00	10.00	9.10
05	8.00	12.00	11.10
06	10.00	14.00	13.10
07	12.00	16.00	15.10
08	14.00	18.00	17.10
09	16.00	20.00	19.10
10	18.00	22.00	21.10
11	20.00	24.00	23.10
12	22.00	26.00	25.10
13	24.00	28.00	27.10
14	26.00	30.00	29.10
15	28.00	32.00	31.10

AUK A MEMBER OF AUK GROUP
太聯事業股份有限公司
AUK CONTRACTORS CO., LTD.

CATEGORY		APPROVED BY		UNLESS OTHERWISE SPECIFIED TOLERANCES ARE X. ±0.30 .X ±0.25 .XX ±0.20 .XXX ±0.015
PART No. MHXXD-H		EMILY		
DRAWING No. MHXXD-H		CHECKED BY HZF		
SCALE NONE		DRAWING BY SONG		
REV.	A0	UNIT mm		

NO.	REV.	REVISIONS	CHK	DATE
△ A0		NEW RELEASE	HZF	03/05/2014