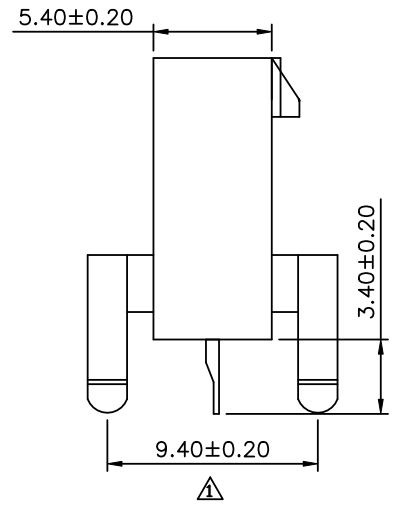
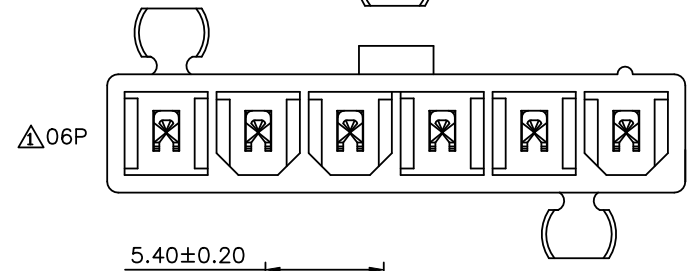
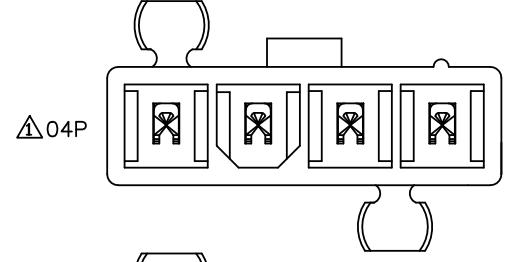
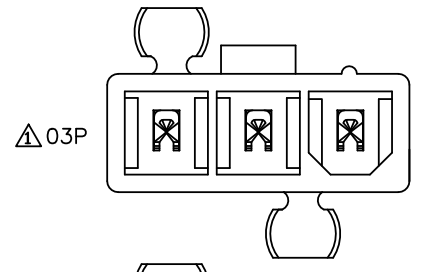
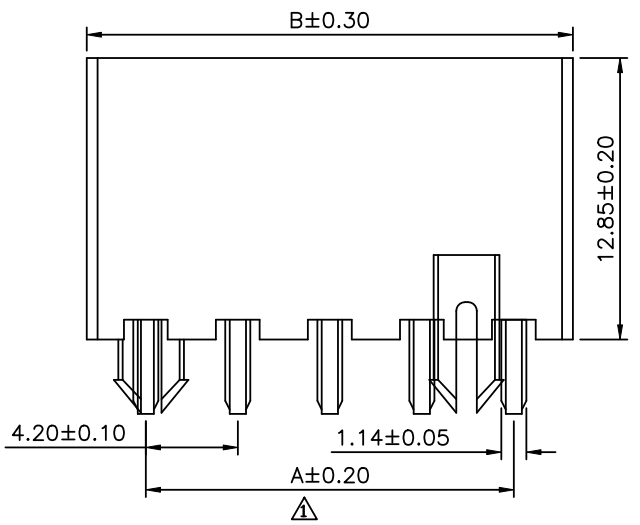
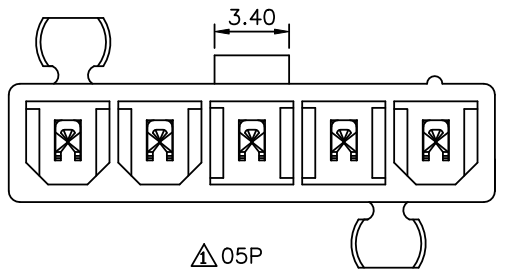
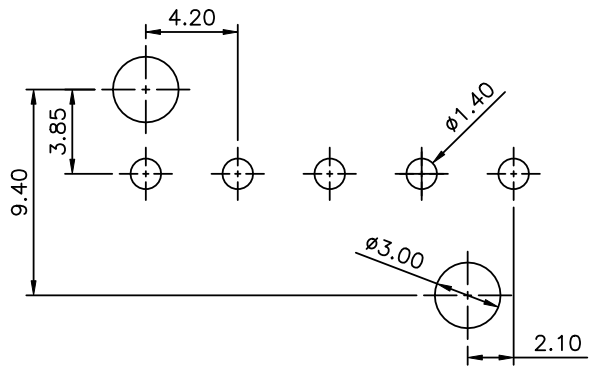


**△ SPECIFICATION**  
 Current Rating:7A AC/DC  
 Voltage Rating:600V AC/DC  
 Withstanding Voltage:1500V AC/Minute  
 Insulation Resistance:1000 Megaohms Min.  
 Contact Resistance:20 Milliohms Max.  
 Temperature Range:-25°C~+85°C  
**△ Insulator:PA66**  
 Contact:Brass,Tin Plated Over Nickel  
 RoHS Compliant

**△△ MF 1 X XX P D P -XX - H**  
 (1) (2) (3) (4) (5) (6) (7) (8)  
 (1) MF:4.2mm Mini-Fit Series  
 (2) 1:Single Row  
 (3) XX:No. Of Position  
 (4) P:Male  
 (5) D:DIP Straight  
 (6) P:With Post  
 (7) XX:Flame Retardant  
 Blank:UL94V-2,Nature Color  
 V0:UL94V-0,White Color  
 (8) H:RoHS Compliant



Pin	A	B
03	8.40	13.80
04	12.60	18.00
05	16.80	22.20
06	21.00	26.40

**AUK** A MEMBER OF AUK GROUP  
**太聯事業股份有限公司**  
**AUK CONTRACTORS CO., LTD.**

CATEGORY	APPROVED BY	UNLESS OTHERWISE SPECIFIED TOLERANCES ARE
PART No. △ MF1XXXPDP-XX-H	MEI	△ X. ±0.30
DRAWING No. MF1XXXPDP-XX-H	CHECKED BY HZF	XX ±0.25
SCALE NONE	DRAWING BY CYP	XXX ±0.20
REV. A2	REV. A2	ANG. ±1°
		UNIT mm

NO.	REV.	REVISIONS	CHK	DATE
△A2		Modify P/N:MF1XXXPDP-H -->MF1XXXPDP-XX-H	HZF	01/03/2017
△A1		Modify Data	HZF	05/10/2016
△A0		NEW RELEASE	HZF	12/03/2012